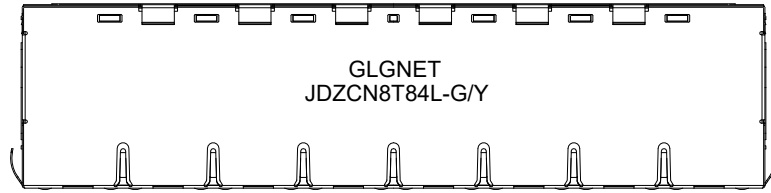


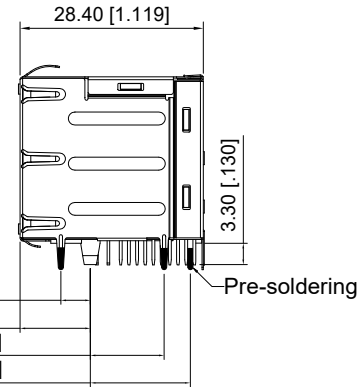
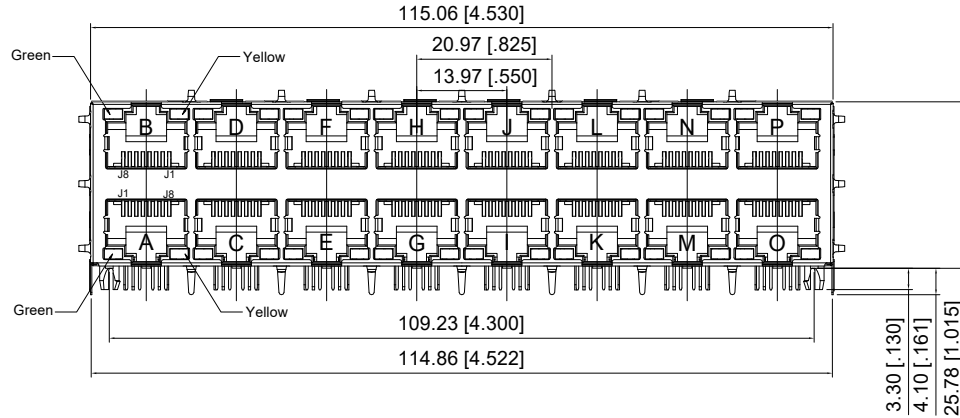
8 7 6 5 4 3 2 1

NO.	ECN NO.	DESCRIPTION	REV.	DRAW	DATE
1					
2					
3					

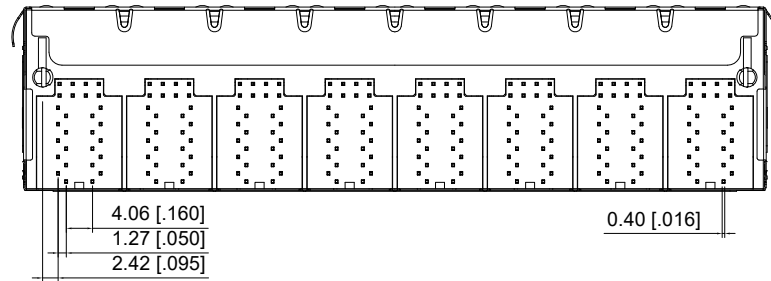
Mechanical



GLGNET
JDZCN8T84L-G/Y



Pre-soldering



GoldPlating	Option
1.8μ"	<input type="checkbox"/>
3μ"	<input type="checkbox"/>
6μ"	<input type="checkbox"/>
15μ"	<input type="checkbox"/>
30μ"	<input checked="" type="checkbox"/>
50μ"	<input type="checkbox"/>

MATERIALS

1.HOUSING:GLASS FILLED PA46(BLACK) UL94V-0(ROHS)
2.CONTACT: PHOSPHOR BRONZE,50 MICROINCHES MIN. OVERALL DUCTILE NICKEL UNDERPLATE WITH SELECTED 30 MICROINCHES GOLD AT MATING INTERFACE
3.SHIELD:0.2mm THICKNESS WITH STAINLESS.
4.JACK CAVITY CONFORMS TO FCC RULES AND REGULATIONS PART 68 SUBPART F
5.THE PART IS RECOMMENDED FOR WAVE SOLDERING PROCESS PEAK SOLDERING TEMPERATURE IS 260°C MAX,10 SECS MAX.
6.OPERATING TEMPERATURE:-40°C TO +85°C. STORAGE TEMPERATURE:-40°C TO +85°C.

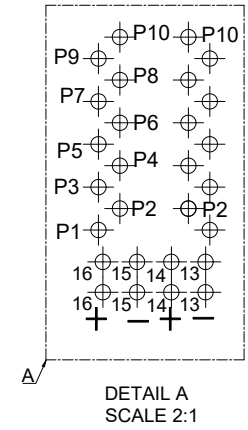
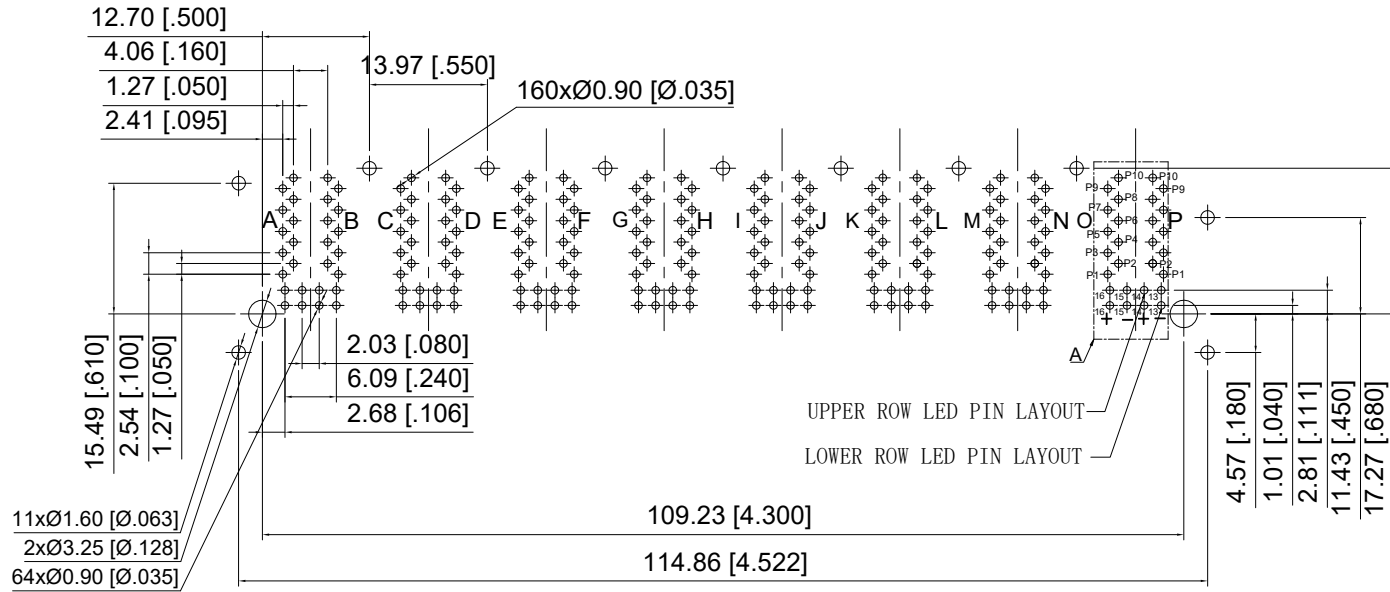
产品客户图 Customer Drw		TOLERANCE UNLESS OTHERWISE SPECIFIED		Description		品名 TITLE	
未注公差	0.XX ±0.10	X.XX	±0.25	RJ45 2X8/Through Hole		品名 TITLE	
OTHERWISE SPECIFIED	XX.XX ±0.25	X°	±2°	2.5G Base-T W/LED		料号 ITEM NO.	
比例 SCALE	1:1	角法 PROJ.	设计 DESIGN	WANGKG	2022.11.25	JDZCN8T84L-G/Y	
张数 SHEET	1/3	大小 SIZE	A4	校对 CHECKED	DANNY	2022.11.25	料号 ITEM NO.
单位 UNIT	mm	版本 REV.	A0	核准 APPROVED	BYANG	2022.11.25	图号 DWG NO.

GLGNET

® 深圳市方向电子股份有限公司
SHEN ZHEN GLGNET ELECTRONICS CO., LTD.

8 7 6 5 4 3 2 1

NO.	ECN NO.	DESCRIPTION	REV.	DRAW	DATE
1					
2					
3					



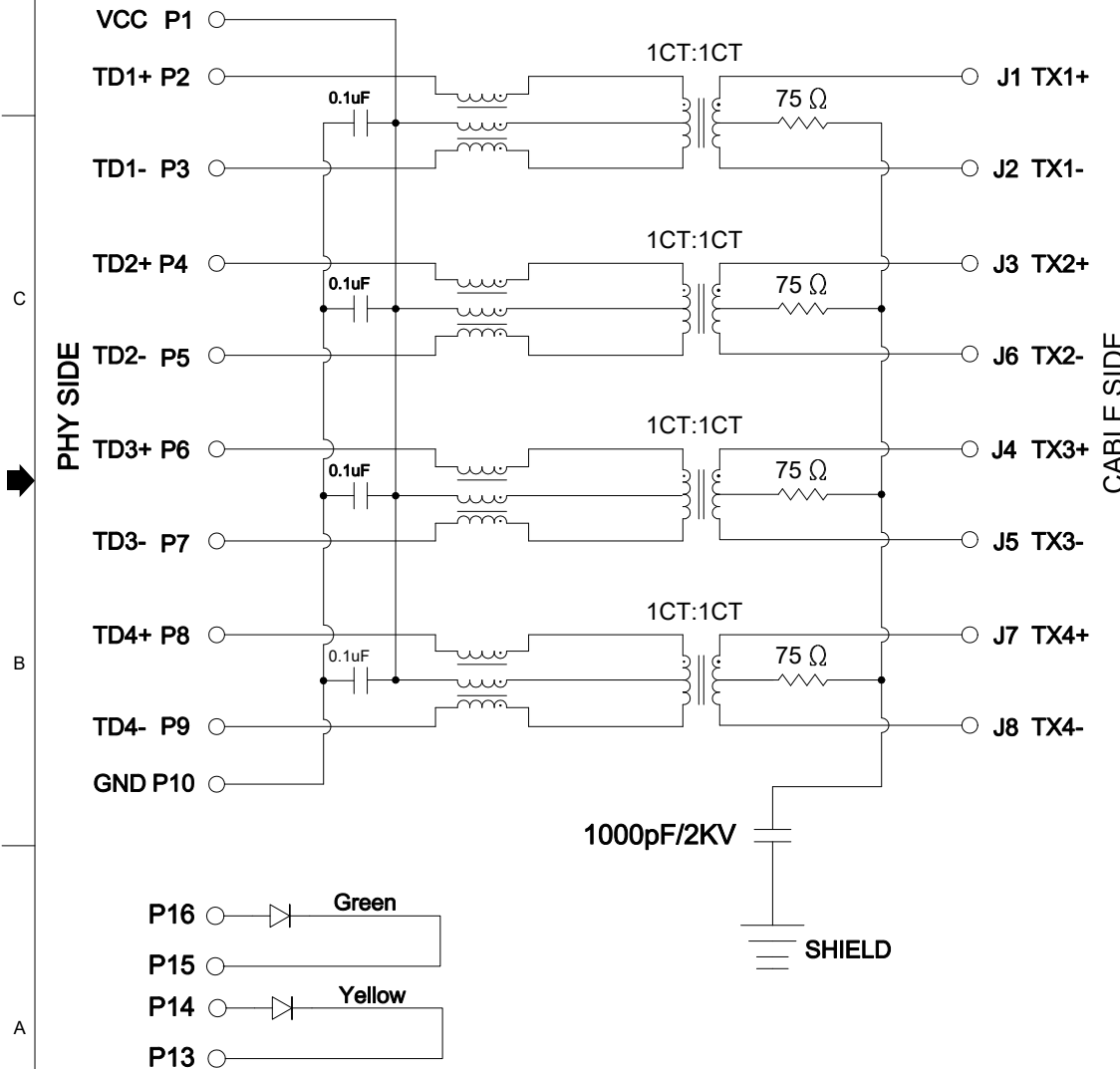
RECOMMENDED P.C.B LAYOUT
TOP VIEW (COMPONENT SIDE)

Dimensions Tolerance:
All PCB LAYOUT
Tolerances:±0.05[.002]

产品客户图 Customer Drw		GLGNET ® 深圳市方向电子股份有限公司 SHEN ZHEN GLGNET ELECTRONICS CO., LTD.		Description RJ45 2X8/Through Hole 2.5G Base-T W/LED	
未注公差 TOLERANCE UNLESS OTHERWISE SPECIFIED	0.XX ±0.10 X.XX ±0.25 XX.XX ±0.25 X° ±2°	比例 SCALE	1:1	设计 DESIGN	WANGKG 2022.11.25
张数 SHEET	2/3	大小 SIZE	A4	校对 CHECKED	DANNY 2022.11.25
单位 UNIT	mm	版本 REV.	A0	核准 APPROVED	BYANG 2022.11.25
		品名 TITLE	JDZCN8T84L-G/Y		
		料号 ITEM NO.	130094-00111		
		图号 DWG NO.			

Schematic

NO.	ECN NO.	DESCRIPTION	REV.	DRAW	DATE
1					
2					
3					



PARAMETER	SPECIFICATIONS
OPERATING TEMPERATURE	0°C To +70°C
TURNS RATIO	1:1±2%
OPEN CIRCUIT INDUCTANCE(OCL)	180uH MIN@100KHz/100mV With 8mA DC Bias For(CHANNEL1,2,3,4)
INSERTION LOSS(IL)	-0.5dB MAX@1MHz-50MHz; -1.5dB MAX@50MHz-125MHz;
RETURN LOSS(RL) (Z out=100 OHM)	-18dB MIN@1MHz-40MHz; -18+15LOG (f/40MHz)dB MIN@40MHz-250MHz;
CROSSTALK (ADJACENT CHANNELS)	-35dB MIN@1MHz-40MHz; -35+15LOG (f/40MHz)dB MIN@40MHz-125MHz;
COMMON MODE REJECTION RATIO(CMRR)	-30dB MIN@1MHz-250MHz;
COMMON TO DIFFERENTIAL MODE REJECTION(REF)	-35dB MIN@1MHz-125MHz;
DIFFERENTIAL TO COMMON MODE REJECTION(REF)	-40dB MIN@1MHz-10MHz; -28dB MIN@40MHz-100MHz; -23dB MIN@250MHz;
HI-POT	2250 VDC@60 SECONDS

LED SPECIFICATION			
STANDARD LED	WAVELENGTH	Forward V(max)	TYP
GREEN/YELLOW	570/590nm	2.6V/2.6V	2.1/2.2V

*WITH A FORWARD CURRENT OF 20mA

产品客户图 Customer Drw				GLGNET				深圳市方向电子股份有限公司 SHEN ZHEN GLGNET ELECTRONICS CO., LTD.					
未注公差 TOLERANCE UNLESS OTHERWISE SPECIFIED	0.XX ±0.10 X.XX ±0.25 XX.XX ±0.25 X° ±2°	Description		RJ45 2X8/Through Hole 2.5G Base-T W/LED		品名 ITEM NO.		JDZCN8T84L-G/Y		料号 ITEM NO.		130094-00111	
比例 SCALE	1:1	角法 PROJ.	设计 DESIGN	WANGKG	2022.11.25	品名 ITEM NO.	JDZCN8T84L-G/Y		料号 ITEM NO.		130094-00111		
张数 SHEET	3/3	大小 SIZE	A4	校对 CHECKED	DANNY	2022.11.25	料号 ITEM NO.		130094-00111		图号 DWG NO.		
单位 UNIT	mm	版本 REV.	A0	核准 APPROVED	BYANG	2022.11.25	图号 DWG NO.						