

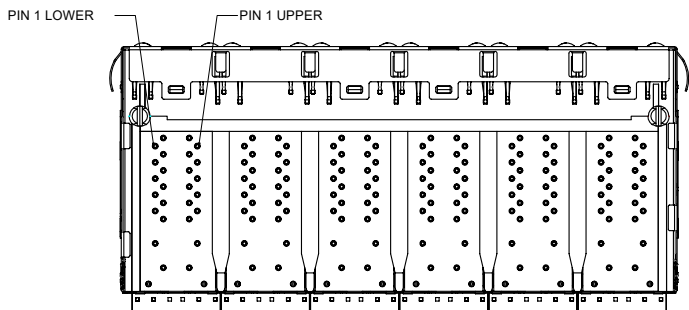
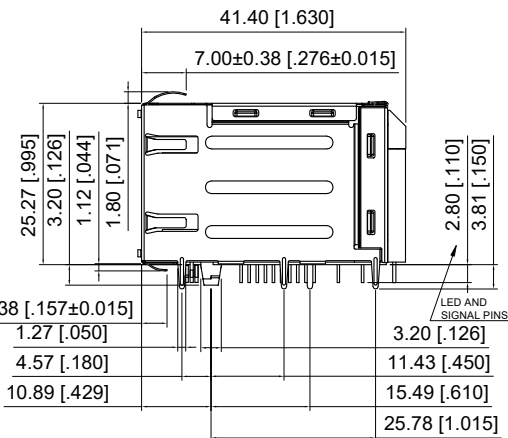
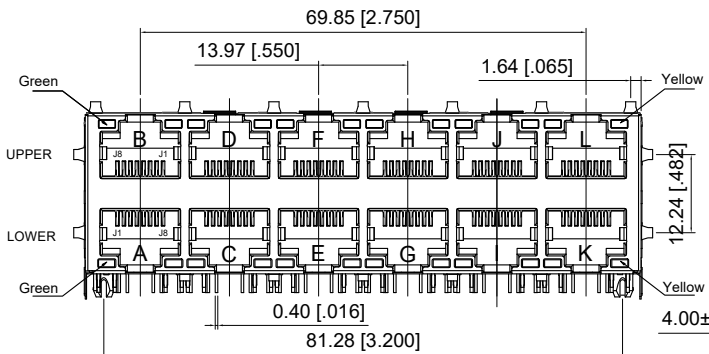
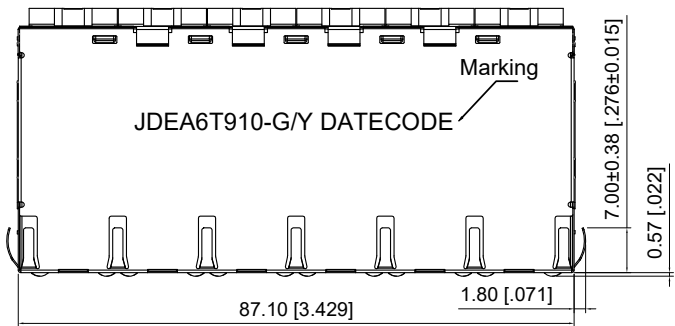
Mechanical

| NO. | ECN NO. | DESCRIPTION | REV. | DRAW | DATE |
|-----|---------|----------------|------|-------|------------|
| △ | | 1. 定位柱形状更新为蘑菇头 | A1 | DANNY | 2017/02/25 |

MATERIALS

| |
|---|
| 1.HOUSING:GLASS FILLED PA46(BLACK) UL94V-0(ROHS) |
| 2.RJ CONTACT/PLASTIC:FILLED PA46(BLACK) UL94V-0(ROHS) |
| 3.SHIELD:0.2mm THICKNESS WITH BRASS. |
| 4.JACK CAVITY CONFORMS TO FCC RULES AND REGULATIONS PART 68 SUBPART F |
| 5.THE PART IS RECOMMENDED FOR WAVE SOLDERING PROCESS PEAK SOLDERING TEMPERATURE IS 260°C MAX,10 SECS MAX. |
| 6.OPERATING TEMPERATURE:0°C TO +70°C. STORAGE TEMPERATURE:-40°C TO +85°C. |

| GoldPlating | Option |
|-------------|-------------------------------------|
| 1.8μ" | <input type="checkbox"/> |
| 3μ" | <input type="checkbox"/> |
| 6μ" | <input type="checkbox"/> |
| 15μ" | <input type="checkbox"/> |
| 30μ" | <input checked="" type="checkbox"/> |
| 50μ" | <input type="checkbox"/> |



| Description | | | | GLGNET® 深圳方向电子有限公司 SHEN ZHEN GLGNET ELECTRONICS CO.,LTD. | | | |
|--|-----|--------------|--|---|---------------|---------------|-------|
| RJ45 2X6 Through Hole 1000Base-T/PoE PLUS W/ LED | | | | 料号 ITEM NO. | 130055-01611 | 设计 DRAWER | DANNY |
| | | | | 品名 ARTICLE | JDEA6T910-G/Y | 校对 CHECKED | DANNY |
| Dimension Tolerances: 0.xx:±0.10[0.004] xx.xx:±0.25[0.010] | | | | 客户 CUSTOMER | | 核准 APPROVE | BYANG |
| | | | | 比例 SCALE | 1:1 | 单位 UNIT | mm |
| 张数 SHEET | 1/3 | 备注 REMARK | | 角法 PROJ. | | 版本 REV | A1 |

8

7

6

5

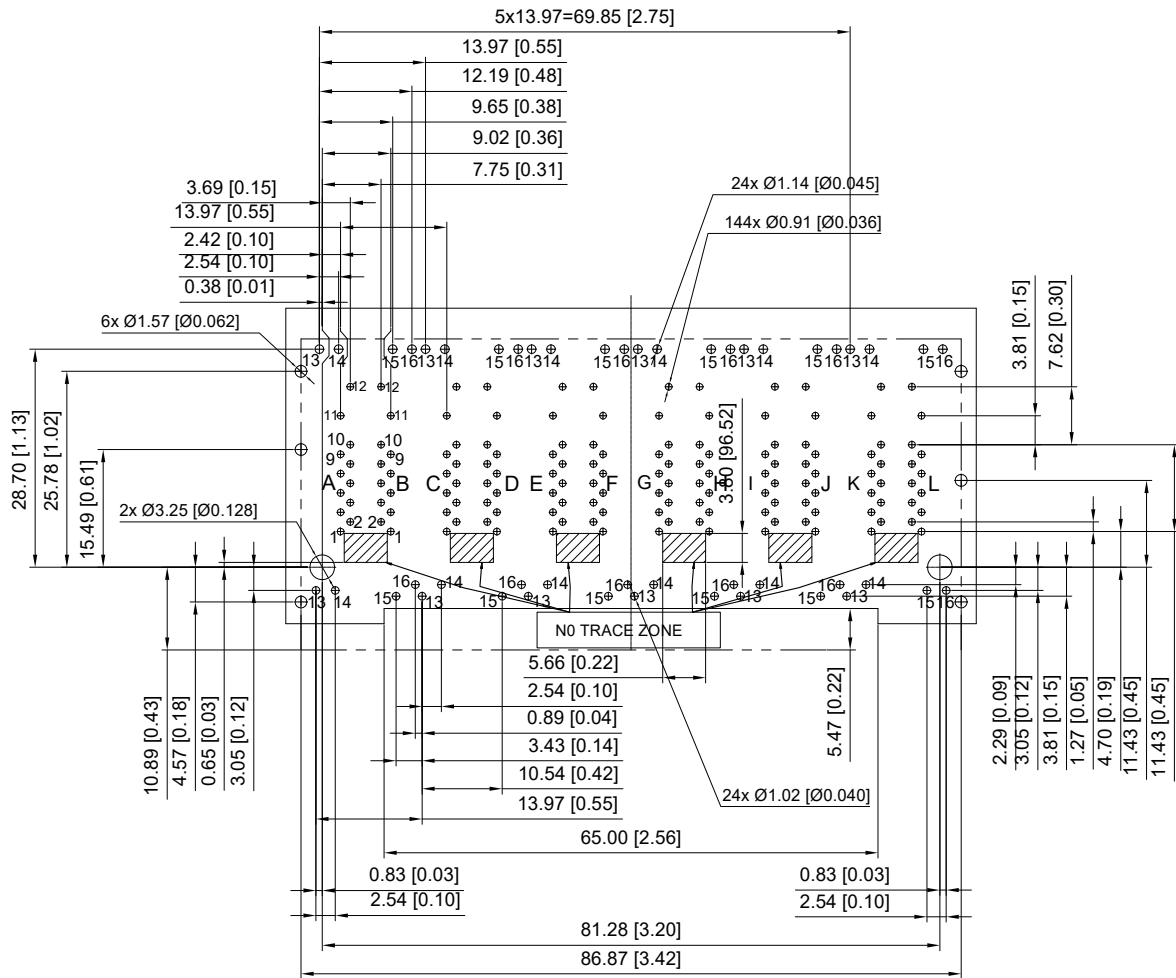
4

3

2

1

| NO. | ECN NO. | DESCRIPTION | REV. | DRAW | DATE |
|-----|---------|----------------|------|-------|------------|
| | | 1. 定位柱形状更新为蘑菇头 | A1 | DANNY | 2017/02/25 |
| | | | | | |

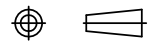


RECOMMENDED P.C.B LAYOUT
TOP VIEW (COMPONENT SIDE)

Dimension Tolerance:
PCB LAYOUT Tolerances:±0.05[.002]

| Description | | | | 料号 | | | |
|--|--|--|--|---------------|--|-----------------------|--|
| RJ45 2X6 Through Hole 1000Base-T/PoE PLUS W/ LED | | | | ITEM NO. | | 130055-01611 | |
| Dimension Tolerances: 0.xx:±0.10[0.004] xx.xx:±0.25[0.010] | | | | 品名 | | JDEA6T910-G/Y | |
| | | | | 客户 | | 核准 | |
| 比例 SCALE 1:1 | | | | 单位 UNIT mm | | 日期 DATE 02/25/2017 | |
| 张数 SHEET 2/3 | | | | 备注 REMARK | | 版本 REV A1 | |

GLGNET® 深圳方向电子有限公司
SHEN ZHEN GLGNET ELECTRONICS CO.,LTD.



8

7

6

5

4

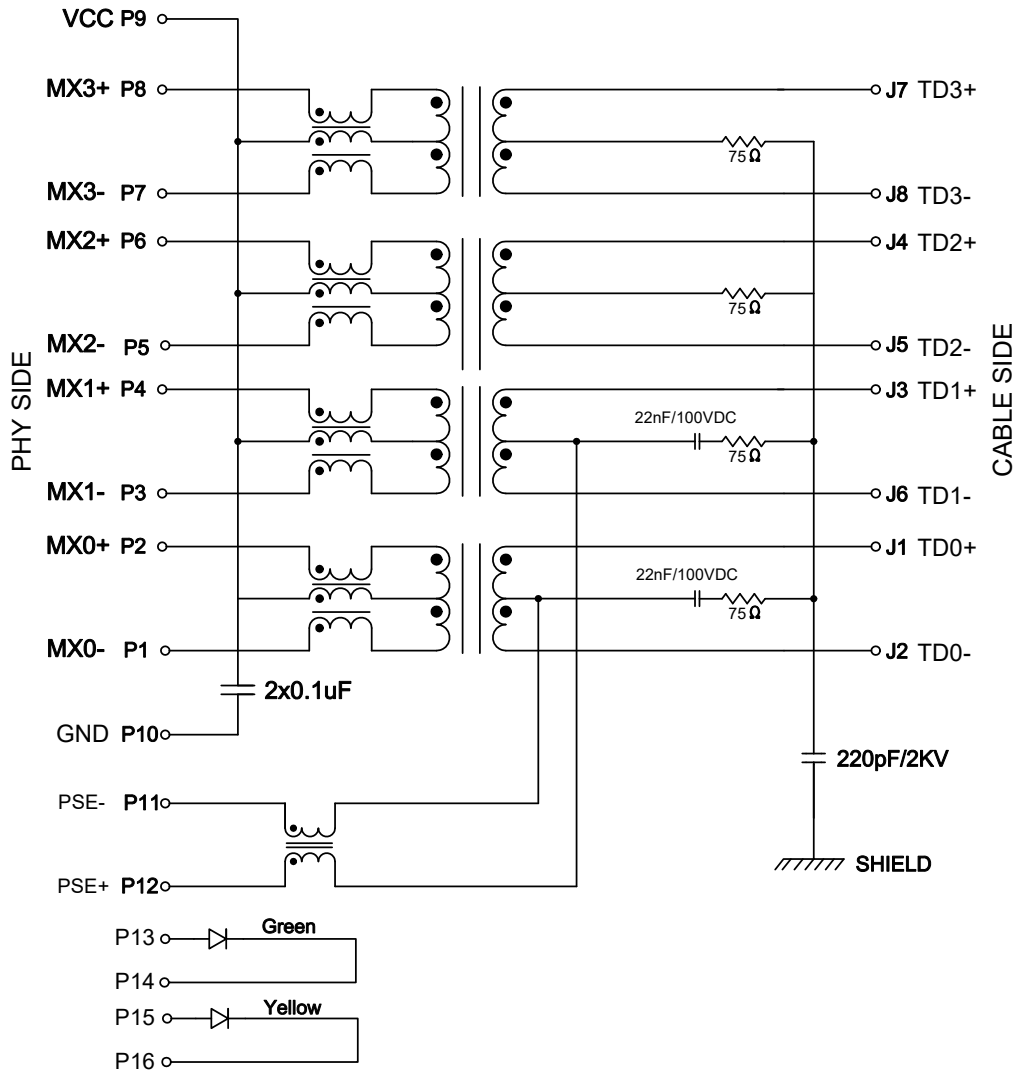
3

2

1

| NO. | ECN NO. | DESCRIPTION | REV. | DRAW | DATE |
|-----|---------|----------------|------|-------|------------|
| ▲ | | 1. 定位柱形状更新为蘑菇头 | A1 | DANNY | 2017/02/25 |

Schematic



| PARAMETER | SPECIFICATIONS |
|---------------------------------------|---|
| OPERATING TEMPERATURE | 0°C To +70°C |
| TURNS RATIO | 1:1±2% |
| OPEN CIRCUIT INDUCTANCE(OCL) | 220uH MIN@100KHz/100mV With 19mA DC Bias For(CHANNEL1,2) 350uH MIN@100KHz/100mV With 8mA DC Bias For(CHANNEL3,4) |
| INSERTION LOSS(IL) | -1.0dB MAX@0.3MHz-100MHz; |
| RETURN LOSS(RL) (Z out=100 OHM) | -18dB MIN@1MHz-30MHz; -13dB MIN@30MHz-60MHz; -10dB MIN@60MHz-100MHz; |
| CROSSTALK (ADJACENT CHANNELS) | -30dB MIN@1MHz-100MHz; |
| COMMON MODE REJECTION RATIO(CMRR) | -30dB MIN@1MHz-100MHz; |
| DC CURRENT/VOLTAGE RATING-PSE PINS | 600mA MAXIMUM@57VDC(CONTINUOUS) |
| HI-POT | 2250 VDC@60 SECONDS |

| LED SPECIFICATION | | | |
|-------------------|------------|----------------|------|
| STANDARD LED | WAVELENGTH | Forward V(max) | TYP |
| GREEN | 565nm | 2.4V | 2.2V |
| YELLOW | 590nm | 2.5V | 2.1V |

*WITH A FORWARD CURRENT OF 20mA

| | | | | | |
|--|-----|---|---------------|---------------|------------|
| Description | | GLGNET ® 深圳方向电子有限公司 SHEN ZHEN GLGNET ELECTRONICS CO.,LTD. | | | |
| RJ45 2X6 Through Hole 1000Base-T/PoE PLUS W/LED | | 料号 ITEM NO. | 130055-01611 | 设计 DRAWER | DANNY |
| Dimension Tolerances: 0.xx:±0.10[0.004] xx.xx:±0.25[0.010] | | 品名 ARTICLE | JDEA6T910-G/Y | 校对 CHECKED | DANNY |
| | | 客户 CUSTOMER | | 核准 APPROVE | BYANG |
| 比例 SCALE | 1:1 | 单位 UNIT | mm | 图号 DWG NO. | 日期 DATE |
| 张数 SHEET | 3/3 | 备注 REMARK | | 角法 PROJ. | 版本 REV |
| | | | | ☉ | ▭ |
| | | | | | A1 |