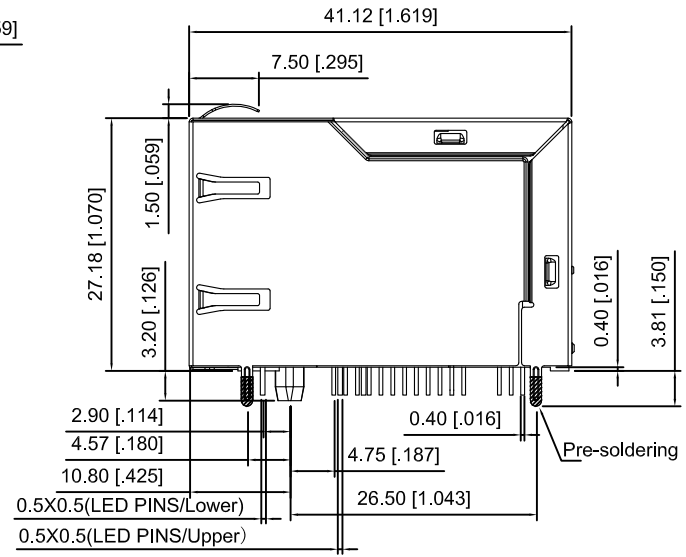


| NO. | ECN NO. | DESCRIPTION | REV. | DRAW | DATE |
|-----|---------|-------------|------|------|------|
| | | | | | |
| | | | | | |

MATERIALS

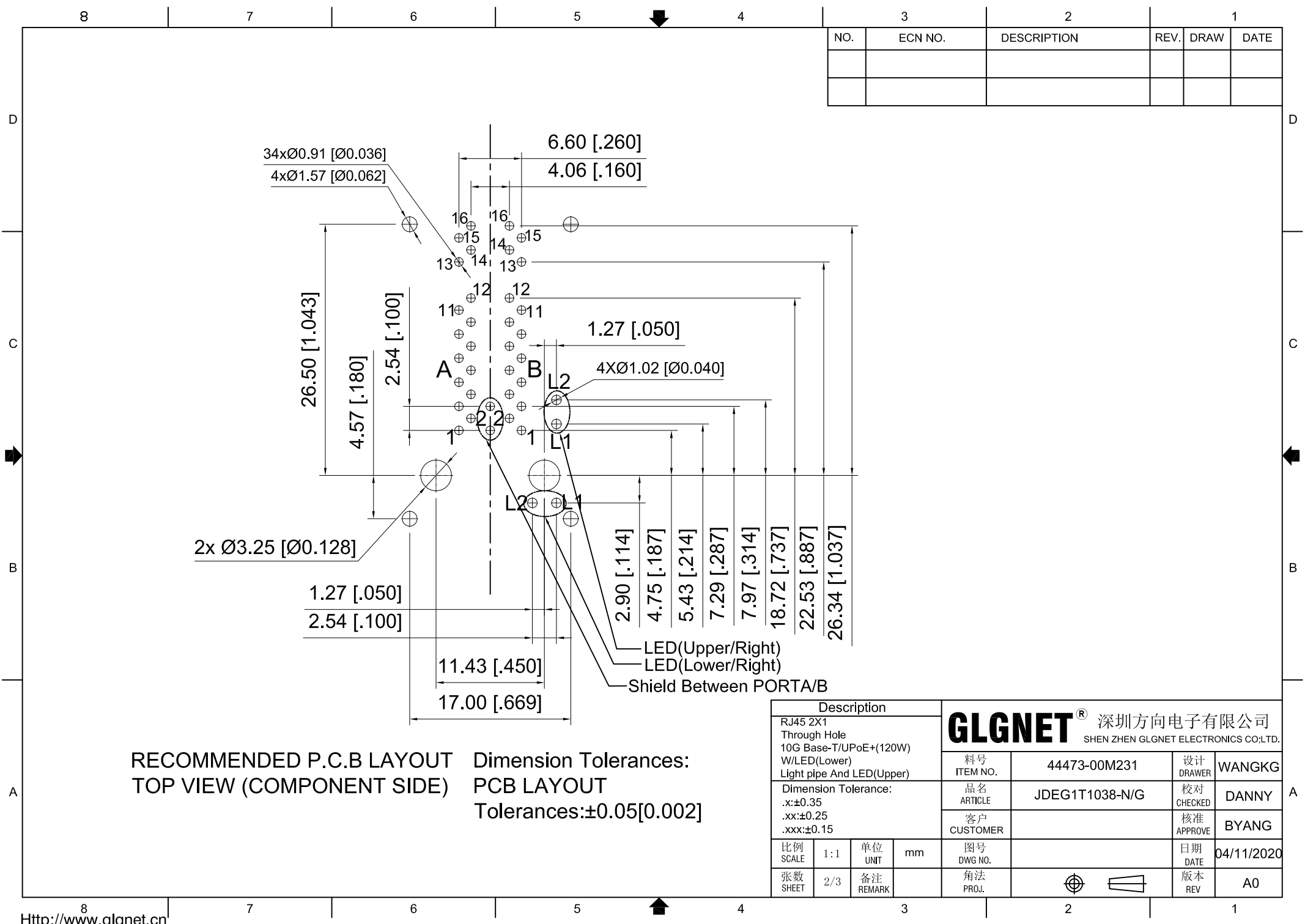
- 1.HOUSING:GLASS FILLED PA6T(BLACK) UL94V-0(ROHS)
- 2.CONTACT: PHOSPHOR BRONZE,50-100 MICROINCHES MIN. OVERALL DUCTILE NICKEL UNDERPLATE WITH SELECTED 30 MICROINCHES GOLD AT MATING INTERFACE
- 3.SHIELD:0.2mm THICKNESS WITH COPPER ALLOY.
- 4.JACK CAVITY CONFORMS TO FCC RULES AND REGULATIONS PART 68 SUBPART F
- 5.THE PART IS RECOMMENDED FOR WAVE SOLDERING PROCESS PEAK SOLDERING TEMPERATURE IS 260°C MAX,10 SECS MAX.
- 6.OPERATING TEMPERATURE:-40°C TO +85°C. STORAGE TEMPERATURE:-40°C TO +85°C.



Mechanical

| GoldPlating | Option |
|-------------|-------------------------------------|
| 1.8μ" | <input type="checkbox"/> |
| 3μ" | <input type="checkbox"/> |
| 6μ" | <input type="checkbox"/> |
| 15μ" | <input type="checkbox"/> |
| 30μ" | <input checked="" type="checkbox"/> |
| 50μ" | <input type="checkbox"/> |

| Description | | | | GLGNET ® 深圳方向电子有限公司 SHEN ZHEN GLGNET ELECTRONICS CO.,LTD. | | | |
|---|-----|-----------|--|---|----------------|------------|------------|
| RJ45 2X1 Through Hole 10G Base-T/UPoE+(120W) W/LED(Lower) Light pipe And LED(Upper) | | | | 料号 ITEM NO. | 44473-00M231 | 设计 DRAWER | WANGKG |
| Dimension Tolerance: .x:±0.35 .xx:±0.25 .xxx:±0.15 | | | | 品名 ARTICLE | JDEG1T1038-N/G | 校对 CHECKED | DANNY |
| 比例 SCALE 1:1 单位 UNIT mm | | | | 客户 CUSTOMER | | 核准 APPROVE | BYANG |
| 张数 SHEET | 1/3 | 备注 REMARK | | 图号 DWG NO. | | 日期 DATE | 04/11/2020 |
| | | | | 角法 PROJ. | | 版本 REV | A0 |



RECOMMENDED P.C.B LAYOUT
 TOP VIEW (COMPONENT SIDE)
 Dimension Tolerances:
 PCB LAYOUT
 Tolerances:±0.05[0.002]

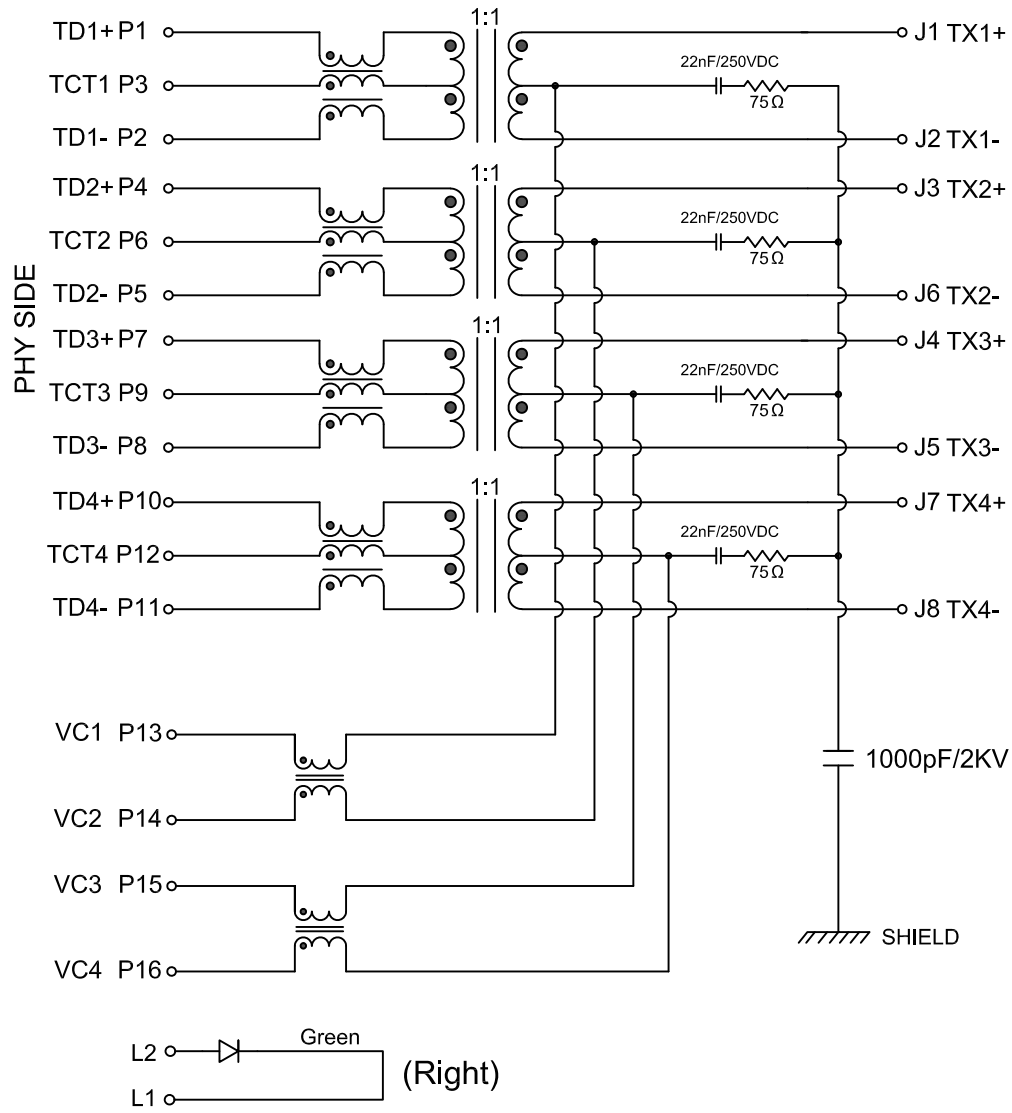
| NO. | ECN NO. | DESCRIPTION | REV. | DRAW | DATE |
|-----|---------|-------------|------|------|------|
| | | | | | |
| | | | | | |

| Description | | | | 料号 ITEM NO. | | | | | |
|---|--|------------|--|----------------|--|----------------|--------|---------------|-------|
| RJ45 2X1 Through Hole 10G Base-T/UPoE+(120W) W/LED(Lower) Light pipe And LED(Upper) | | | | 44473-00M231 | | 设计 DRAWER | WANGKG | | |
| | | | | 品名 ARTICLE | | JDEG1T1038-N/G | | 校对 CHECKED | DANNY |
| | | | | 客户 CUSTOMER | | | | 核准 APPROVE | BYANG |
| Dimension Tolerance: .x:±0.35 .xx:±0.25 .xxx:±0.15 | | | | 比例 SCALE | | 日期 DATE | | | |
| 1:1 | | 单位 UNIT | | mm | | 图号 DWG NO. | | | |
| 张数 SHEET | | 2/3 | | 备注 REMARK | | 角法 PROJ. | | | |
| | | | | | | 日期 DATE | | | |
| | | | | | | 04/11/2020 | | | |
| | | | | | | 版本 REV | | | |
| | | | | | | A0 | | | |

GLGNET® 深圳方向电子有限公司
 SHEN ZHEN GLGNET ELECTRONICS CO.,LTD.

Schematic

| NO. | ECN NO. | DESCRIPTION | REV. | DRAW | DATE |
|-----|---------|-------------|------|------|------|
| | | | | | |
| | | | | | |



| PARAMETER | SPECIFICATIONS |
|--|---|
| OPERATING TEMPERATURE | -40°C To +85°C |
| TURNS RATIO | 1:1±2% |
| INDUCTANCE(OCL) | 120uH MIN@100KHz/100mV With 15mA DC Bias For(Channel1/2/3/4) |
| INSERTION LOSS | -1.5dBMAX@0.1-1MHz; -0.5dBMAX@1-65MHz; -0.8dBMAX@65-125MHz; -2.2dBMAX@125-400MHz; -3.5dBMAX@400-500MHz; |
| RETURN LOSS | -22dBMIN@1-100MHz; -22+20.75xLOG(F/100)dBMIN@100-200MHz; -10dBMIN@300MHz; -7.5dBMIN@400MHz; -5dBMIN@500MHz; |
| CROSSTALK (ADJACENT CHANNELS) | -30dBMIN@1-100MHz; -26dBMIN@100-500MHz; |
| CROSSTALK (PORT TO PORT) | -50dBMIN@1-100MHz; -50dBMIN@100-500MHz; |
| COMMON MODE REJECTION RADIO | -30dBMIN@1-100MHz; -25dBMIN@100-300MHz; -20dBMIN@300-500MHz; |
| COMMON MODE TO DIFFERENTIAL MODE ATTENUATION | -35dBMIN@1-100MHz; -30dBMIN@100-300MHz; -25dBMIN@300-500MHz; |
| DC CURRENT/VOLTAGE RATING-PSE PINS | 1000mA MAXIMUM@57VDC(CONTINUOUS) 1.2A MAX@57VDC For 200 MILLISECONDS |
| HI-POT | 2250VDC@60 SECONDS(Channel1/2/3/4) |

| LED SPECIFICATION | | | |
|-------------------|------------|----------------|------|
| STANDARD LED | WAVELENGTH | Forward V(max) | TYP |
| GREEN | 565nm | 2.4V | 2.2V |
| | | | |

*WITH A FORWARD CURRENT OF 20mA

| | | | | | |
|---|-----------|---|----------------|------------|------------|
| Description | | GLGNET ® 深圳方向电子有限公司 SHEN ZHEN GLGNET ELECTRONICS CO.,LTD. | | | |
| RJ45 2X1 Through Hole 10G Base-T/UPoE+(120W) W/LED(Lower) Light pipe And LED(Upper) | | 料号 ITEM NO. | 44473-00M231 | 设计 DRAWER | WANGKG |
| Dimension Tolerance: .x:±0.35 .xx:±0.25 .xxx:±0.15 | | 品名 ARTICLE | JDEG1T1038-N/G | 校对 CHECKED | DANNY |
| 比例 SCALE 1:1 单位 UNIT mm | | 客户 CUSTOMER | | 核准 APPROVE | BYANG |
| 张数 SHEET 3/3 | 备注 REMARK | 图号 DWG NO. | | 日期 DATE | 04/11/2020 |
| | | 角法 PROJ. | | 版本 REV | A0 |