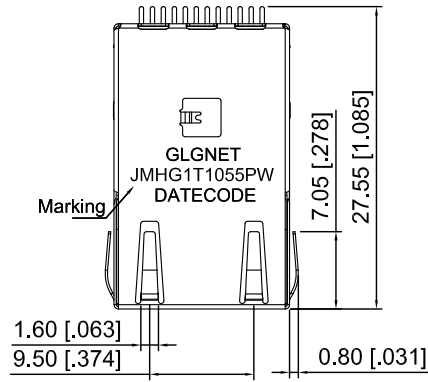
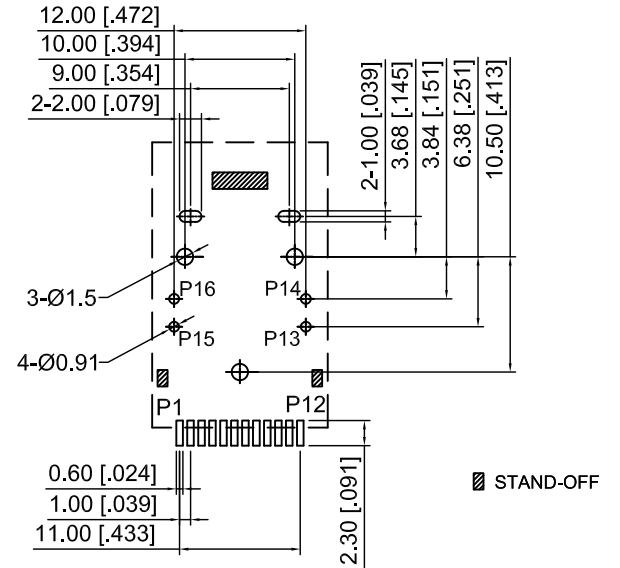


Mechanical

NO.	ECN NO.	DESCRIPTION	REV.	DRAW	DATE
1					
2					
3					

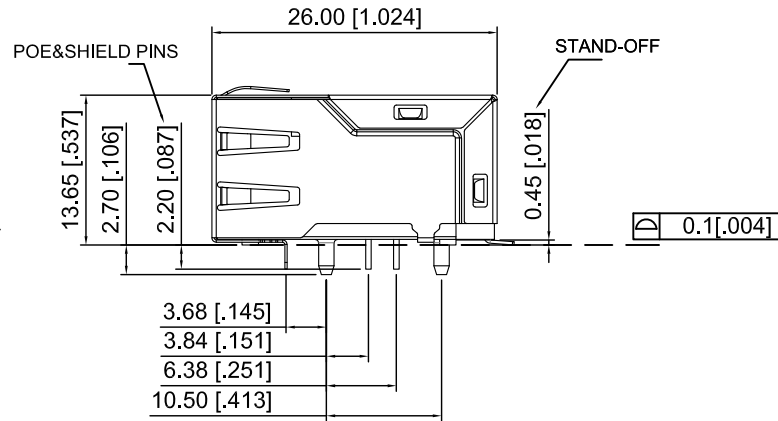
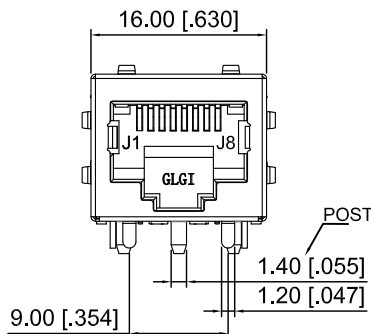


GoldPlating	Option
1.8μ"	<input type="checkbox"/>
3μ"	<input type="checkbox"/>
6μ"	<input type="checkbox"/>
15μ"	<input type="checkbox"/>
30μ"	<input checked="" type="checkbox"/>
50μ"	<input type="checkbox"/>



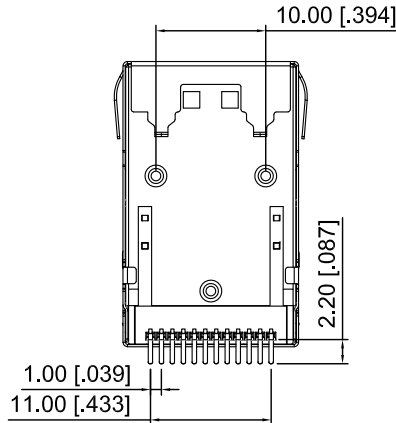
RECOMMENDED P.C.B LAYOUT
TOP VIEW (COMPONENT SIDE)

Dimensions Tolerance:
All PCB LAYOUT
Tolerances:±0.05[.002]



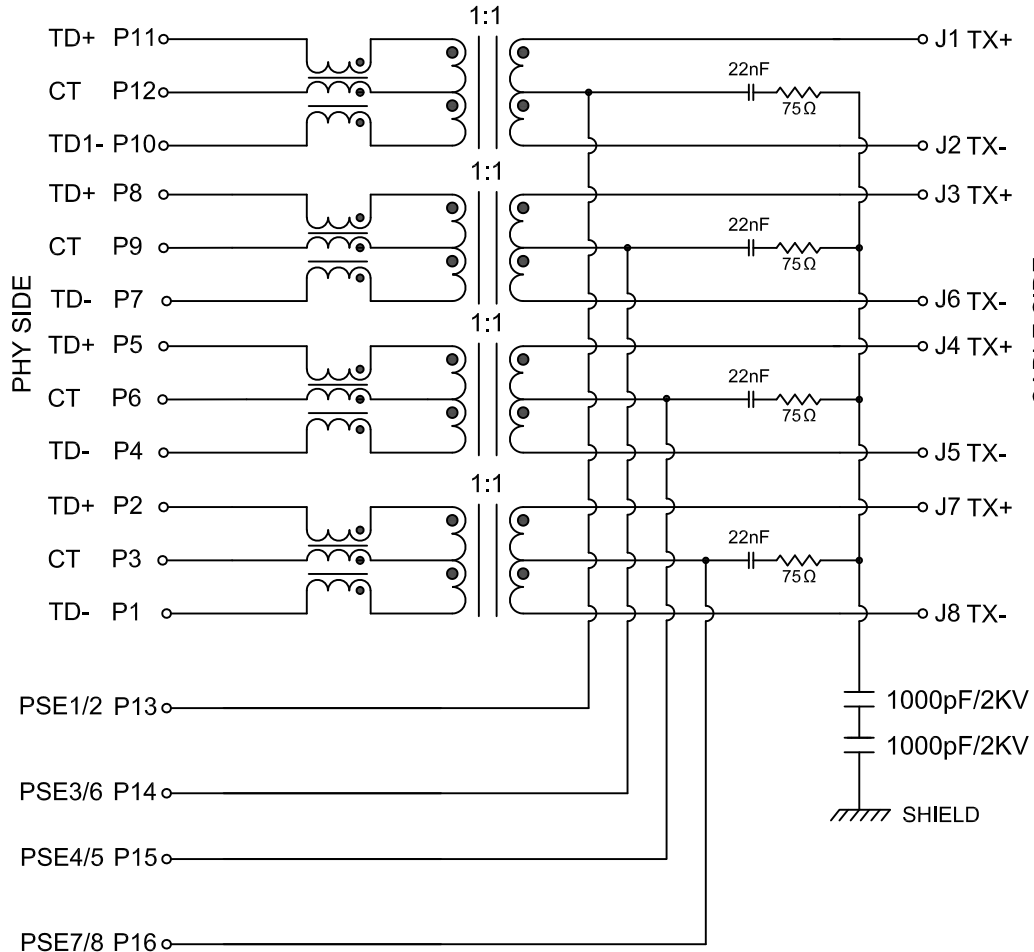
MATERIALS

1.HOUSING:GLASS FILLED LCP UL94V-0(ROHS)
2.CONTACT:PHOSPHOR BRONZE.50-100MICROINCHES MIN. OVERALL DUCTILE NICKEL UNDERPLATE WITH SELECTED 30 MICROINCHES GOLD AT MATING INTERFACE
3.SHIELD:0.2mm THICKNESS WITH BRASS.
4.JACK CAVITY CONFORMS TO FCC RULES AND REGULATIONS PART 68 SUBPART F
5.THE PART IS RECOMMENDED FOR AIR REFLOW SOLDERING PROCESS TEMPERATURE IS 260+0/-5°C,30S MAX.
6.OPERATING TEMPERATURE:-40°C TO +85°C. STORAGE TEMPERATURE:-40°C TO +85°C.



产品客户图 Customer Drw		GLGNET® 深圳市方向电子股份有限公司		SHEN ZHEN GLGNET ELECTRONICS CO., LTD.	
未注公差 TOLERANCE UNLESS OTHERWISE SPECIFIED	0.XX ±0.10 X.XX ±0.25 XX.XX ±0.25 X° ±2°	Description	RJ45 1X1 Tab_Down/SMT 10G Base-T 4PPoE+(120W) W/O LED		
比例 SCALE	1:1	角法 PROJ.	设计 DESIGN	WANGKG	2021.07.16
张数 SHEET	1/2	大小 SIZE	A4	校对 CHECKED	DANNY
单位 UNIT	mm	版本 REV.	A0	核准 APPROVED	BYANG
		品名 TITLE	JMHG1T1055PW		
		料号 ITEM NO.	44624-80M231		
		图号 DWG NO.			

Schematic



NO.	ECN NO.	DESCRIPTION	REV.	DRAW	DATE
1					
2					
3					

PARAMETER	SPECIFICATIONS
OPERATING TEMPERATURE	-40°C To +85°C
TURNS RATIO	1:1±2%
INDUCTANCE(OCL)	120uH MIN@100KHz/100mV With 19mA DC Bias For(Channel1/2/3/4)
INSERTION LOSS	-1.5dBMAX@0.1-1MHz; -0.5dBMAX@1-65MHz; -0.8dBMAX@65-125MHz; -2.2dBMAX@125-400MHz; -4.5dBMAX@400-500MHz;
RETURN LOSS	-22dBMIN@1-100MHz; -24+20.75xLOG(f/100)dBMIN@100-200MHz; -10dBMIN@200-300MHz; -7.5dBMIN@300-400MHz -5.0dBMIN@400-500MHz
CROSSTALK (ADJACENT CHANNELS)	(无FCC) -47dBMIN@1-100MHz; -37dBMIN@100-400MHz; -30dBMIN@400-500MHz; (带FCC) -30dBMIN@1-100MHz; -22dBMIN@100-400MHz; -20dBMIN@400-500MHz;
COMMON MODE REJECTION RATIO	-30dBMIN@1-100MHz; -25dBMIN@100-300MHz; -20dBMIN@300-500MHz;
COMMON MODE TO DIFFERENTIAL MODE ATTENUATION	-35dBMIN@1-100MHz; -30dBMIN@100-300MHz; -25dBMIN@300-500MHz;
DC CURRENT/VOLTAGE RATING-PSE PINS	1.15A MAXIMUM@57VDC(CONTINUOUS)
HI-POT	2250VDC@60 SECONDS(Channel1/2/3/4)

产品客户图 Customer Drw				GLGNET® 深圳市方向电子股份有限公司 SHEN ZHEN GLGNET ELECTRONICS CO., LTD.				
未注公差 TOLERANCE UNLESS OTHERWISE SPECIFIED	0.XX ±0.10 X.XX ±0.25 XX.XX ±0.25 X° ±2°	Description		RJ45 1X1 Tab_Down/SMT 10G Base-T 4PPoE+(120W) W/O LED				
比例 SCALE	1:1	角法 PROJ.	设计 DESIGN	WANGKG	2021.07.16	品名 TITLE	JMHG1T1055PW	
张数 SHEET	2/2	大小 SIZE	A4	校对 CHECKED	DANNY	2021.07.16	料号 ITEM NO.	44624-80M231
单位 UNIT	mm	版本 REV.	A0	核准 APPROVED	BYANG	2021.07.16	图号 DWG NO.	