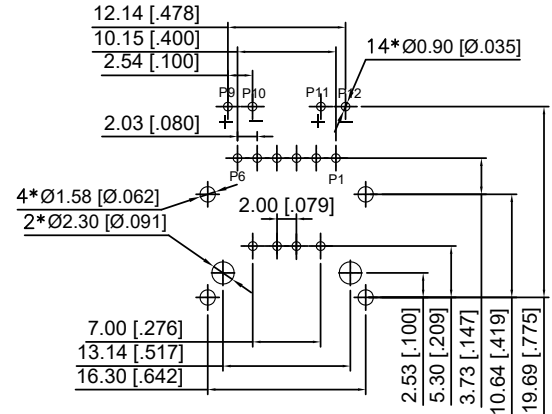
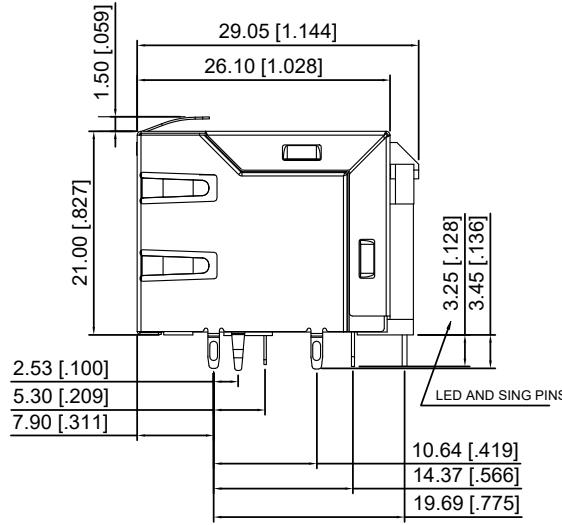
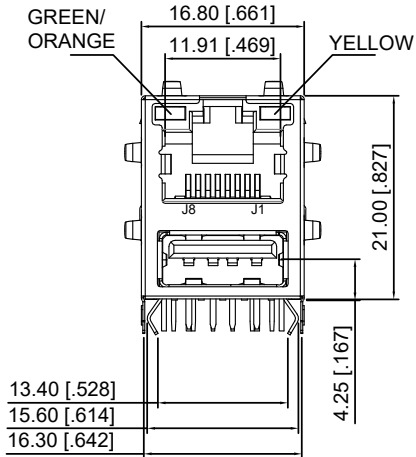


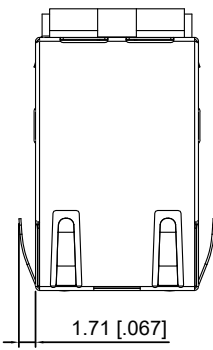
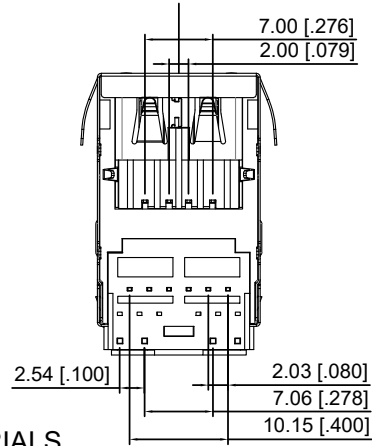
# Mechanical

NO.	ECN NO.	DESCRIPTION	REV.	DRAW	DATE
1					
2					
3					



RECOMMENDED P.C.B LAYOUT  
TOP VIEW (COMPONENT SIDE)

Dimension Tolerance:  
All PCB LAYOUT  
Tolerance:±0.05[.002]



RJ45	
GoldPlating	Option
GF	<input type="checkbox"/>
3μ"	<input type="checkbox"/>
6μ"	<input checked="" type="checkbox"/>
15μ"	<input type="checkbox"/>
30μ"	<input type="checkbox"/>
50μ"	<input type="checkbox"/>

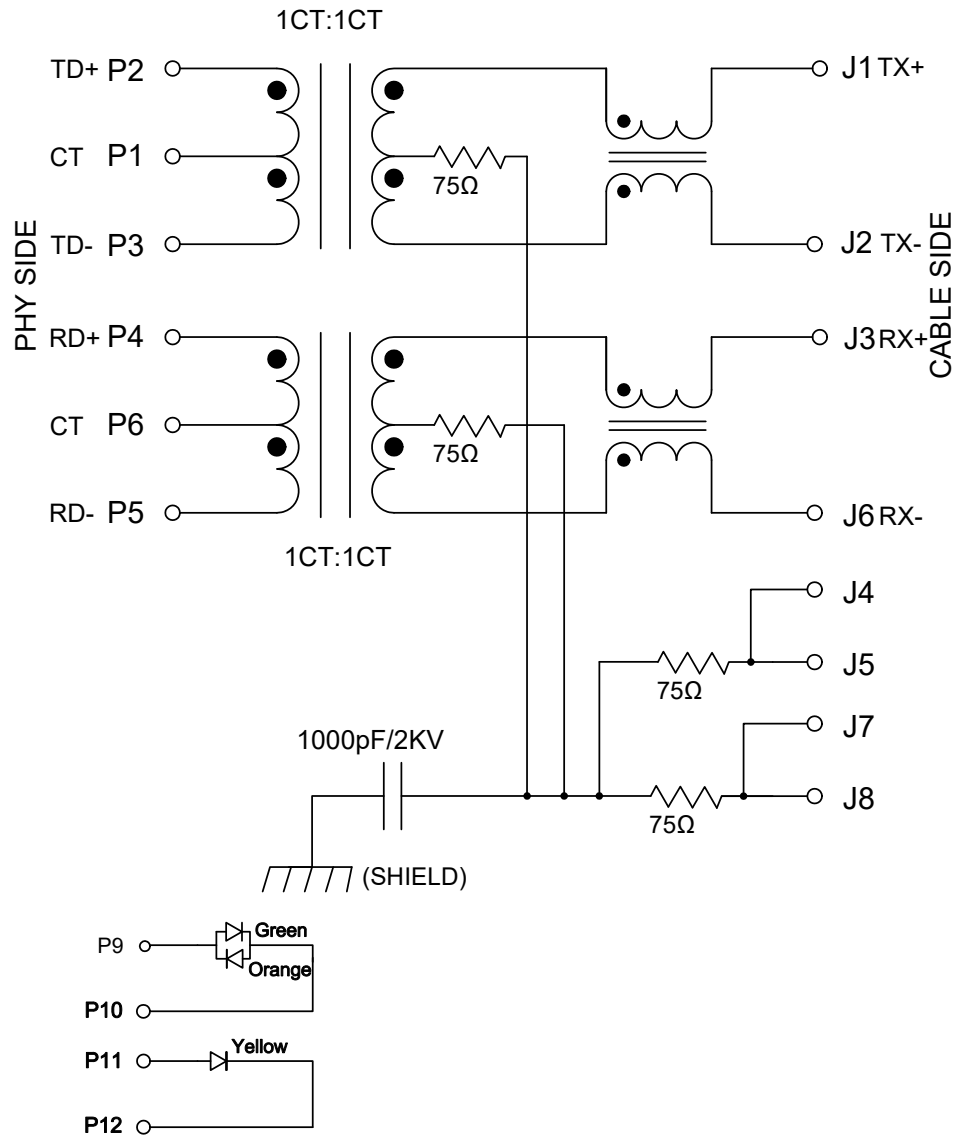
USB2.0	
GoldPlating	Option
GF	<input checked="" type="checkbox"/>
3μ"	<input type="checkbox"/>
6μ"	<input type="checkbox"/>
15μ"	<input type="checkbox"/>
30μ"	<input type="checkbox"/>
50μ"	<input type="checkbox"/>

## MATERIALS

1.HOUSING:GLASS FILLED PA46(BLACK) UL94V-0(ROHS)
2.CONTACT: PHOSPHOR BRONZE,50-100 MICROINCHES MIN. OVERALL DUCTILE NICKEL UNDERPLATE WITH SELECTED 6U" GOLD AT MATING INTERFACE
3.SHIELD:0.2mm THICKNESS WITH BRASS.
4.JACK CAVITY CONFORMS TO FCC RULES AND REGULATIONS PART 68 SUBPART F
5.THE PART IS RECOMMENDED FOR WAVE SOLDERING PROCESS PEAK SOLDERING TEMPERATURE IS 260°C MAX,10 SECS MAX.
6.OPERATING TEMPERATURE:0°C TO +70°C. STORAGE TEMPERATURE:-40°C TO +85°C.

产品客户图 Customer Drw		GLGNET® 深圳市方向电子股份有限公司 SHEN ZHEN GLGNET ELECTRONICS CO., LTD.						
未注公差	0.XX ±0.10	Description	RJ45+Single USB2.0/Through Hole					
TOLERANCE UNLESS OTHERWISE SPECIFIED	X.XX ±0.25		10/100Base-T W/LED					
	XX.XX ±0.25							
比例 SCALE	1:1	角法 PROJ.	设计 DESIGN	WANGKG	2022.03.29	品名 TITLE	ULBU1T435-D4/Y	
张数 SHEET	1/2	大小 SIZE	A4	校对 CHECKED	DANNY	2022.03.29	料号 TEM NO.	130042-00311
单位 UNIT	mm	版本 REV.	A0	核准 APPROVED	BYANG	2022.03.29	图号 DWG NO.	

# Schematic



NO.	ECN NO.	DESCRIPTION	REV.	DRAW	DATE
1					
2					
3					

PARAMETER	SPECIFICATIONS
OPERATING TEMPERATURE	0°C To +70°C
TURNS RATIO	1:1±2%
INDUCTANCE(OCL)	350uH MIN@100KHz/100mV With 8mA DC Bias
INSERTION LOSS	-1.0dB MAX@0.3MHz-100MHz;
RETURN LOSS (Z out=100 OHM)	-18dB MIN@1MHz-30MHz; -16dB MIN@30MHz-60MHz; -12dB MIN@60MHz-80MHz;-10dB MIN@80MHz-100MHz;
CROSSTALK (ADJACENT CHANNELS)	-30dB MIN@1MHz-100MHz;
COMMON MODE REJECTION RATIO	-30dB MIN@1MHz-100MHz;
HI-POT	2250 VDC@60 SECONDS

LED SPECIFICATION			
STANDARD LED	WAVELENGTH	Farward V(max)	TYP
GREEN	565nm	2.4V	2.2V
YELLOW	590nm	2.5V	2.1V
ORANGE	590nm	2.5V	2.1V

\*WITH A FORWARD CURRENT OF 20mA

产品客户图 Customer Drw				GLGNET® 深圳市方向电子股份有限公司 SHEN ZHEN GLGNET ELECTRONICS CO., LTD.			
未注公差 TOLERANCE UNLESS OTHERWISE SPECIFIED	0.XX ±0.10 X.XX ±0.25 XX.XX ±0.25 X° ±2°	Description		RJ45+Single USB2.0/Through Hole 10/100Base-T W/LED			
比例 SCALE	1:1	角法 PROJ.	设计 DESIGN	WANGKG	2022.03.29	品名 TITLE	ULBU1T435-D4/Y
张数 SHEET	2/2	大小 SIZE	A4	校对 CHECKED	DANNY	2022.03.29	料号 ITEM NO.
单位 UNIT	mm	版本 REV.	A0	核准 APPROVED	BYANG	2022.03.29	图号 DWG NO.