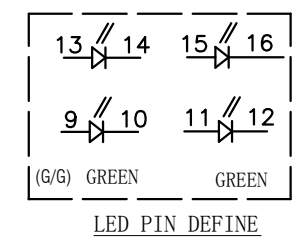
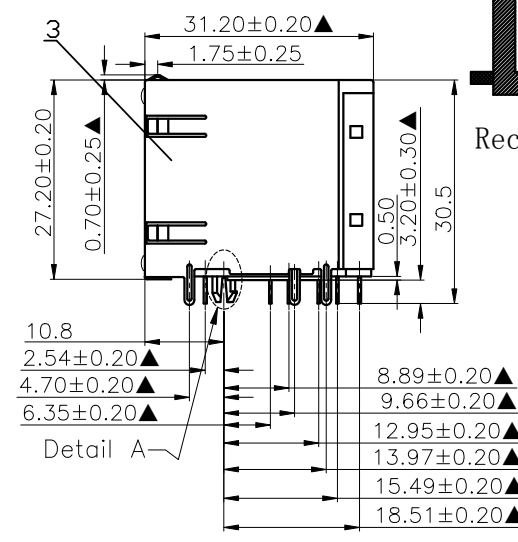
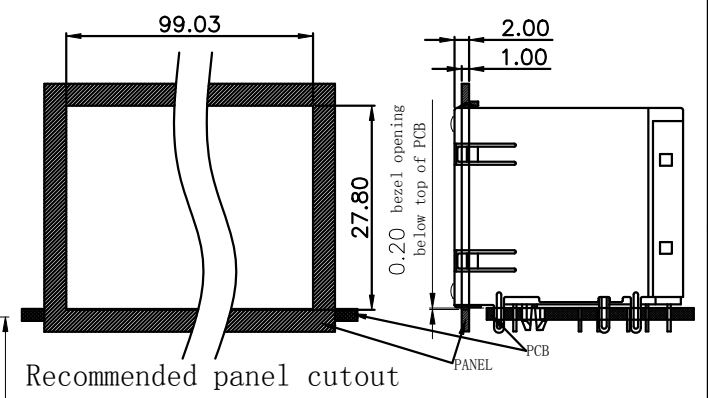
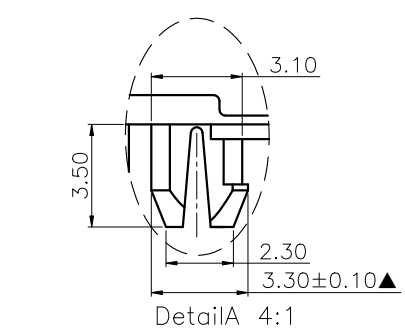
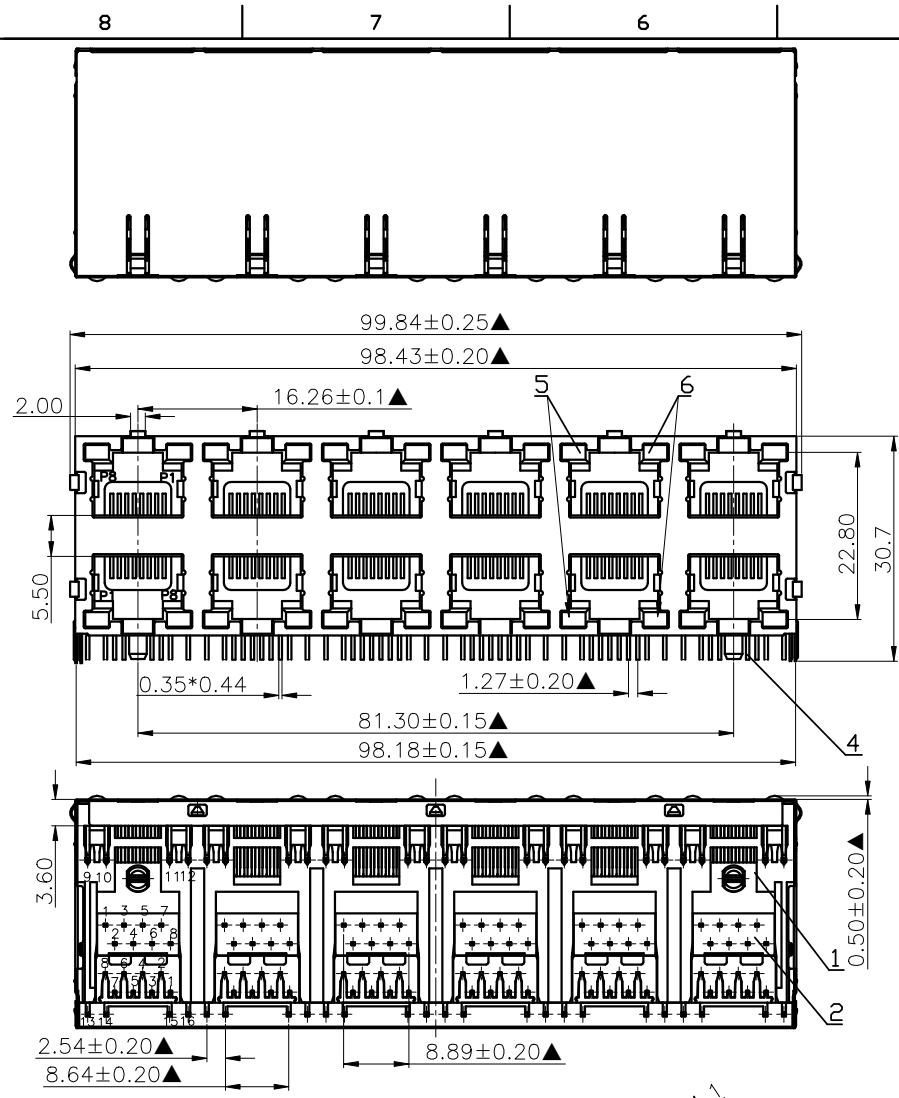


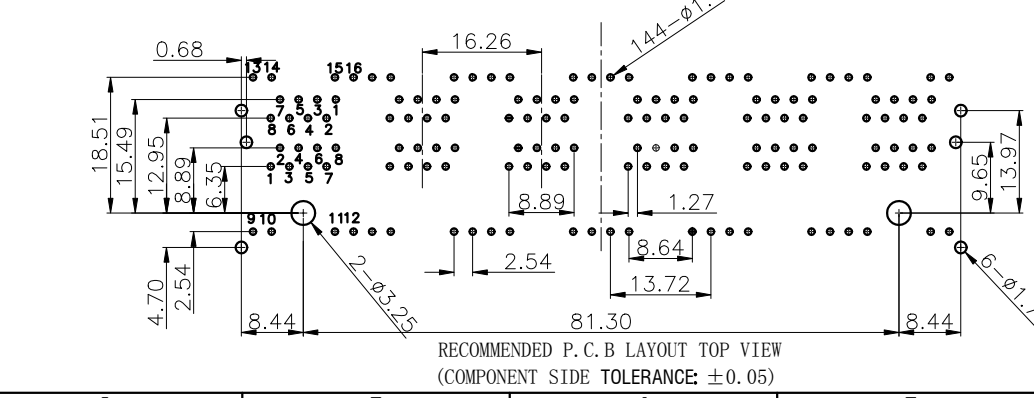
NO.	ECN NO.	DESCRIPTION	REV.	DRAW	DATE



Mechanical Characteristic:

- Housing: See Table +30%G. F UL94V-0 Black (RoHS)
- Insert: See Table +30%G. F UL94V-0 Black (RoHS)
- Contact: C5210R-EH (RoHS), T=0.35mm, Nickel plating above 80u".
- Shielding: C2680R-H (RoHS), T=0.20mm, Nickel plating 30u".
- LED: All lights will be on, and the brightness will not decay in high temperature (RoHS).

※MATES WITH MODULAR PLUG CONFORMING TO FCC PART 68, SUBPART F.
 ※The Dimensions Marked "▲" Symbols Are Stand For Key Characteristics.



产品客户图 Customer Drw		GLGNET® 深圳市方向电子股份有限公司 SHEN ZHEN GLGNET ELECTRONICS CO., LTD.			
未注公差 TOLERANCE UNLESS OTHERWISE SPECIFIED	.X .XX .XXX X°	±0.35 ±0.25 ±0.15 ±2°	设计 DESIGN	品名 TITLE	5931-Q-S-FK10-A-2x6-L-c-8C (G/G)
比例 SCALE	1:1	角法 PROJ.	设计 DESIGN	品名 TITLE	5931-Q-S-FK10-A-2x6-L-c-8C (G/G)
张数 SHEET	1/1	大小 SIZE	校对 CHECKED	料号 ITEM NO.	45041-00XXX1
单位 UNIT	mm	版本 REV.	核准 APPROVED	图号 DWG NO.	GLG-WL-043 GLG-110676