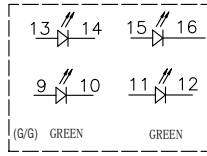
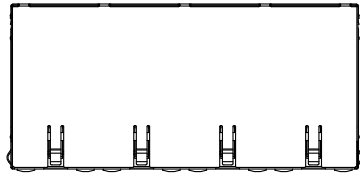
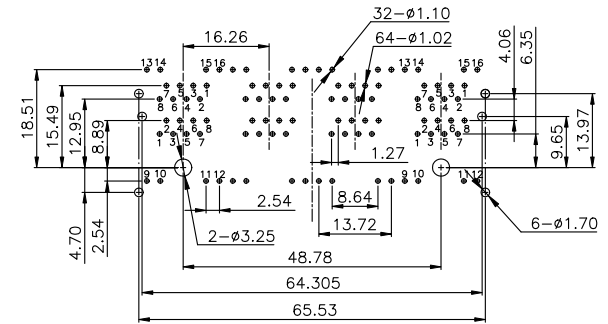


8 7 6 5 4 3 2 1

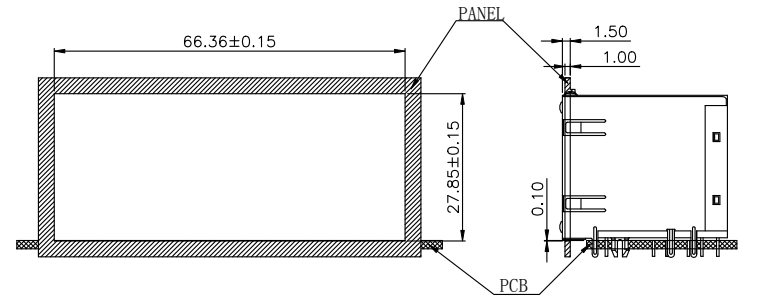
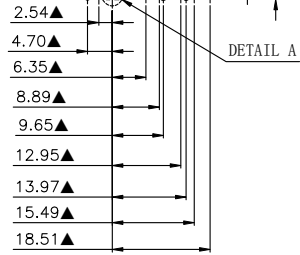
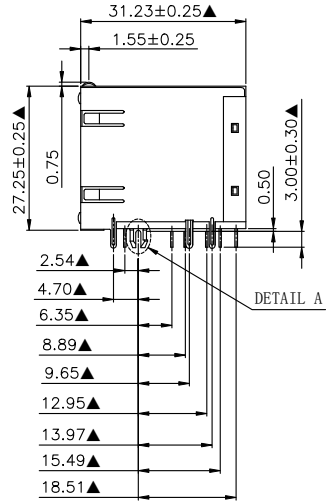
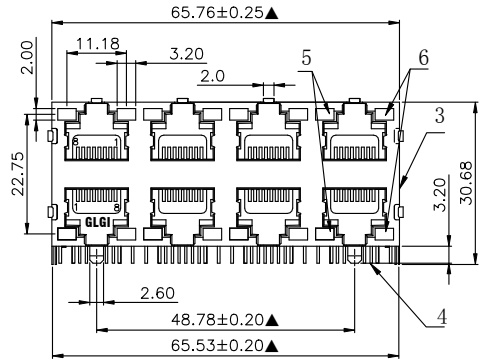
NO.	ECN NO.	DESCRIPTION	REV.	DRAW	DATE
1					
2					
3					



LED PIN DEFINE

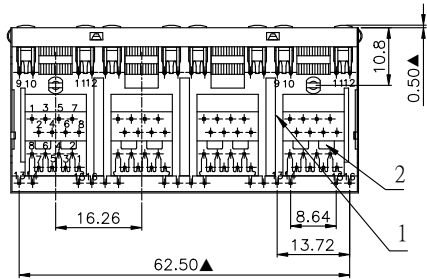


RECOMMENDED P.C.B LAYOUT TOP VIEW
(COMPONENT SIDE DIM ±0.05)

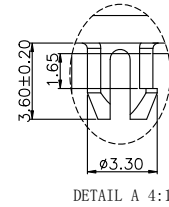


Recommended panel cutout
bezel opening below top of PCB

- MATERIALS:
1. Housing: Glass Filled NYLON46 Black UL94V-0 (RoHS).
 2. Insert: Glass Filled PBT UL94V-0 (RoHS)
 3. Shielding: Copper Alloy with Nickel Plated (RoHS).
 4. Contact: 0.35x0.44mm Phosphor Bronze gold Plating Over Nickel (RoHS).
 5. Led1: GREEN (RoHS)
 6. Led2: GREEN (RoHS)
- ※MATES WITH MODULAR PLUG CONFORMING TO FCC PART 68, SUBPART F.
※The Dimensions Marked "▲" Symbols Are Stand For Key Characteristics.



45021-0 0 X X X 1
规格流水码
S:半金亮锡
M:半金雾锡
电镀代码
05-G/F
11-3u"
15-6u"
19-15u"
23-30u"
24-50u"



产品客户图 Customer Drw		设计 DESIGN		品名 TITLE	
未注公差 TOLERANCE	X ±0.35	角法 PROJ.	设计 DESIGN	品名 TITLE	5931-Q-S-FK8-2x4-L-c-8C(G/G)
UNLESS OTHERWISE SPECIFIED	.X ±0.25	大小 SIZE	校对 CHECKED	料号 ITEM NO.	45021-00XXX1
	.X ±0.15	版本 REV.	核准 APPROVED	图号 DWG NO.	GLG-WL-020
	X° ±3°	单位 UNIT			GLG-110659

GLGNET 深圳市方向电子股份有限公司
SHEN ZHEN GLGNET ELECTRONICS CO.,LTD.

8 7 6 5 4 3 2 1