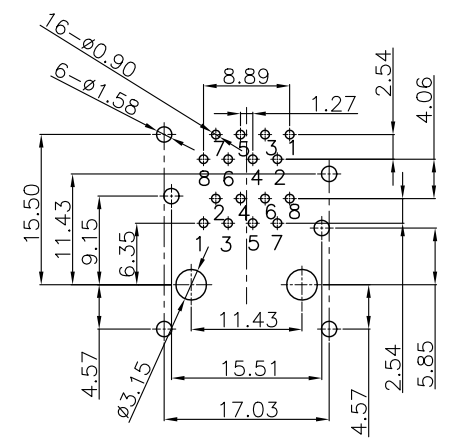
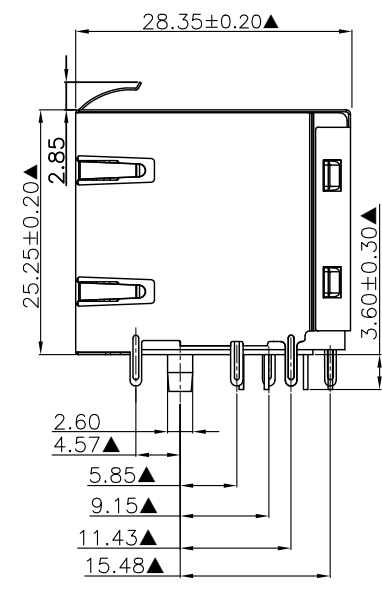
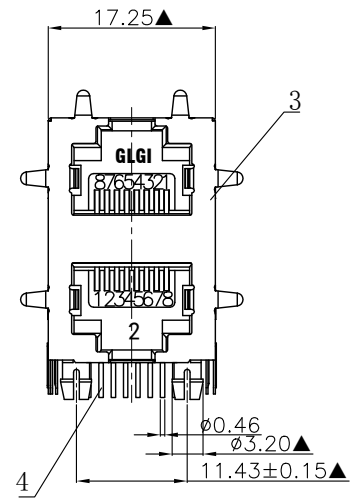
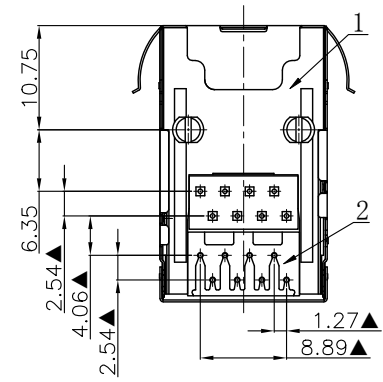


NO.	ECN NO.	DESCRIPTION	REV.	DRAW	DATE
1.					
2.					
3.					

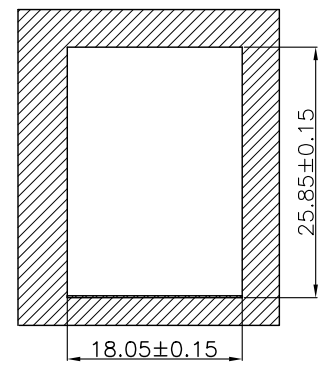


RECOMMENDED P. C. B LAYOUT TOP VIEW
(COMPONENT SIDE DIM ±0.05)

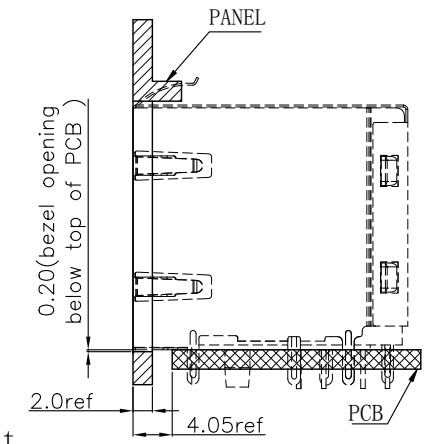


43001-0 0 G X X 1

规格流水码
电镀代码
05-G/F
11-3u"
15-6u"
19-15u"



Recommended panel cutout



MATERIALS:

- 1. Housing: Glass Filled PA46 UL94V-0. (ROHS)
 - 2. Insert: Glass Filled PBT UL94V-0 (ROHS)
 - 3. Shielding: Copper Alloy with Nickel Plated. (ROHS)
 - 4. Contact: ∅0.46mm DIA Phosphor Bronze gold Plating Over Nickel. (ROHS)
- ※MATES WITH MODULAR PLUG CONFORMING TO FCC PART 68, SUBPART F.
※The Dimensions Marked "▲" Symbols Are Stand For Key Characteristics.

产品客户图 Customer Drw		. X ±0.35		设计 DESIGN		品名 TITLE	
未注公差 TOLERANCE UNLESS OTHERWISE SPECIFIED	. XX	±0.25		角法 PROJ.	校对 CHECKED	料号 ITEM NO.	5921-S-K6-A-2x1-8C
	. XXX	±0.15					
	. X°	±2°					
比例 SCALE	1:1	大小 SIZE	A4	版本 REV.	D0	图号 DWG NO.	43001-00GXX1
张数 SHEET	1/1	单位 UNIT	mm	核准 APPROVED		图号 DWG NO.	GLG-W0-174

GLGNET® 深圳市方向电子股份有限公司
Shenzhen GLGNET Electronics Co.,LTD.