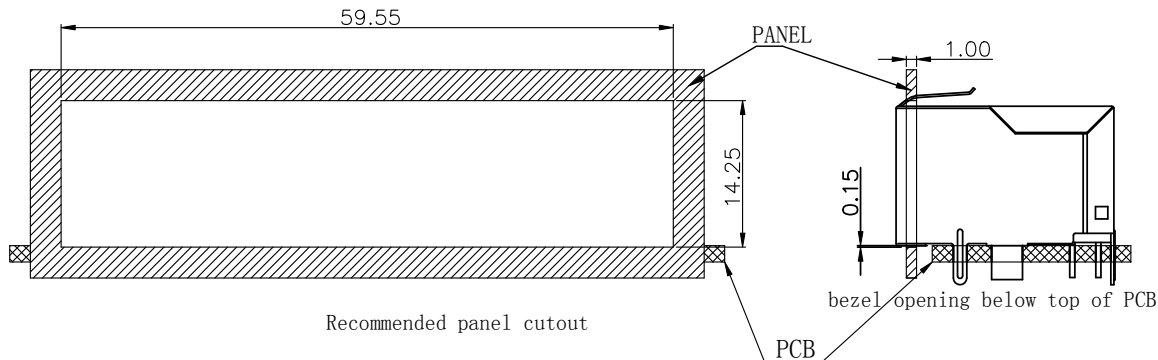
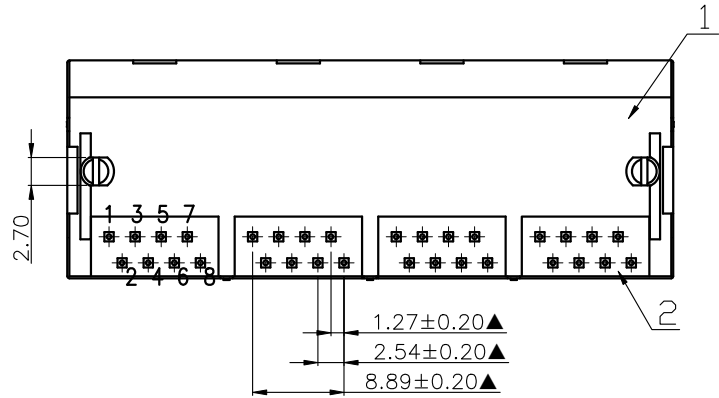
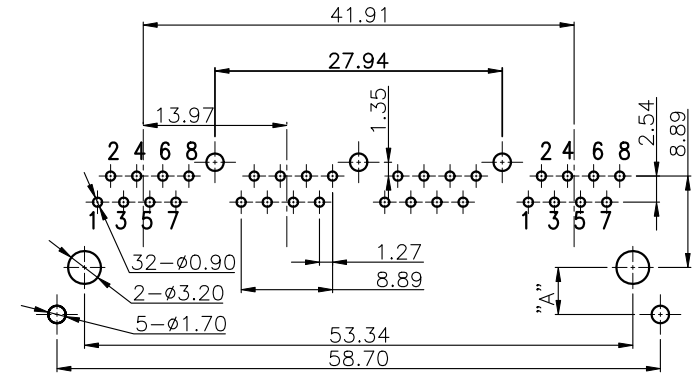
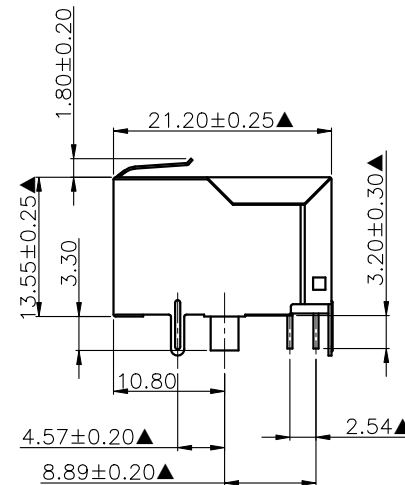
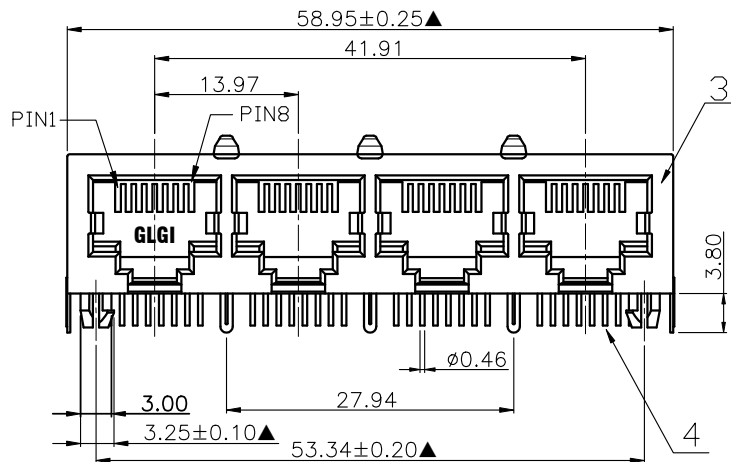


NO.	ECN NO.	DESCRIPTION	REV.	DRAW	DATE



42072-00 G X X 1

规格流水码

电镀代码

- 05-G/F
- 11-3u"
- 15-6u"
- 19-15u"
- 23-30u"

MATERIALS:

1. Housing: Glass Filled PA46 BLACK UL94V-0.
  2. Insert: Glass Filled PBT BLACK UL94V-0
  3. Shielding: 0.20mm Thickness Copper Alloy with Nickel Plated.
  4. Contact: 0.46mm DIA Phosphor Bronze gold Plating Over Nickel.
- ※MATES WITH MODULAR PLUG CONFORMING TO FCC PART 68, SUBPART F.  
 ※The Dimensions Marked "▲" Symbols Are Stand For Key Characteristics.

产品客户图 Customer Drw		设计 DESIGN		品名 TITLE	
未注公差 TOLERANCE UNLESS OTHERWISE SPECIFIED	.X ±0.35 .XX ±0.25 .XXX ±0.15 X° ±1°	角法 PROJ.	设计 DESIGN	品名 TITLE	5921-S-BK3-A-1X4-8C-III
比例 SCALE	1:1	大小 SIZE	校对 CHECKED	料号 ITEM NO.	41072-00GXX1
张数 SHEET	1/1	版本 REV.	核准 APPROVED	图号 DWG NO.	GLG-W0-094

**GLGNET** 深圳市方向电子股份有限公司  
 SHEN ZHEN GLGNET ELECTRONICS CO., LTD.