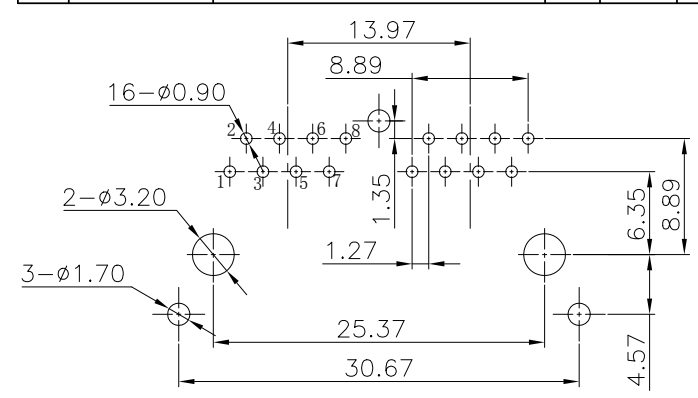
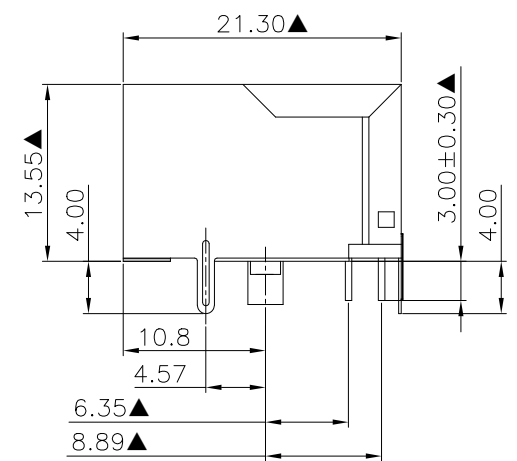
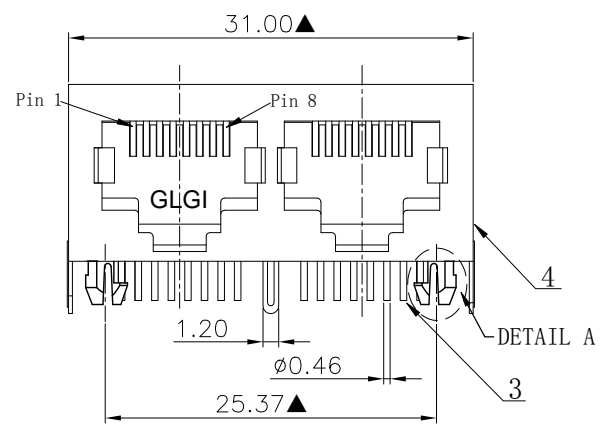


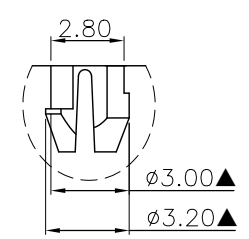
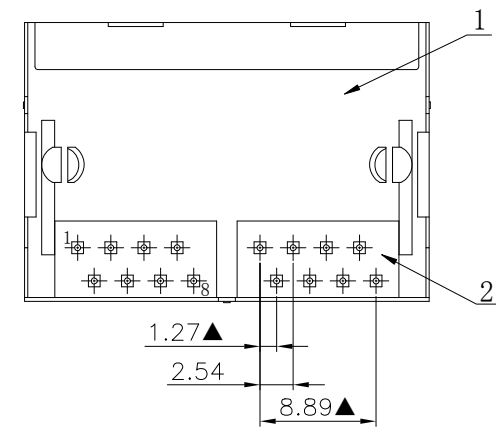
NO.	ECN NO.	DESCRIPTION	REV.	DRAW	DATE
1.					
2.					



RECOMMENDED P.C.B LAYOUT TOP VIEW  
(COMPONENT SIDE DIM ±0.05)

MATERIALS:

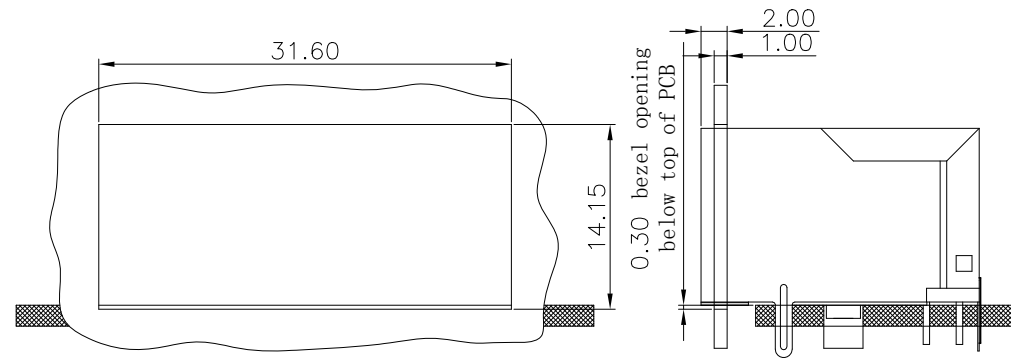
- 1. Housing: Glass Filled NYLON46 BLACK UL94V-0.
- 2. Insert: Glass Filled PBT UL94V-0
- 3. Contact: 0.46mm DIA Phosphor Bronze gold Plating Over Nickel.
- 4. Shielding: Copper Alloy with Nickel Plated (RoHS).
- \*MATES WITH MODULAR PLUG CONFORMING TO FCC PART 68, SUBPART F.
- \*凡标注▲记号, 为重点尺寸.



DETAIL A (2:1)

41067-0 3 G X X 1

规格流水码 | 电镀代码  
 | 05-G/F  
 | 11-3u"  
 | 15-6u"  
 | 19-15u"



Recommended panel cutout

产品客户图 Customer Drw		GLGNET® 深圳市方向电子股份有限公司 Shenzhen GLGNET Electronics Co.,LTD.			
未注公差 TOLERANCE UNLESS OTHERWISE SPECIFIED	.X ±0.35 .XX ±0.25 .XXX ±0.15 X° ±2°	设计 DESIGN	品名 TITLE	5921-S-A-1x2-8C-1B-I	
比例 SCALE	1:1	角法 PROJ.	校对 CHECKED	料号 ITEM NO.	41067-03GXX1
张数 SHEET	2/2	大小 SIZE	A4	图号 DWG NO.	GLG-WO-237 GLG-110135
单位 UNIT	mm	版本 REV.	C1	核准 APPROVED	