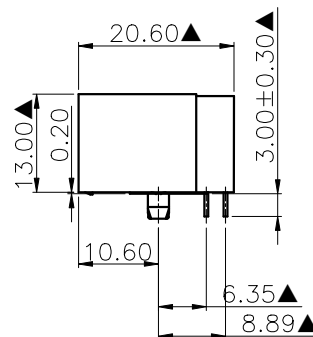
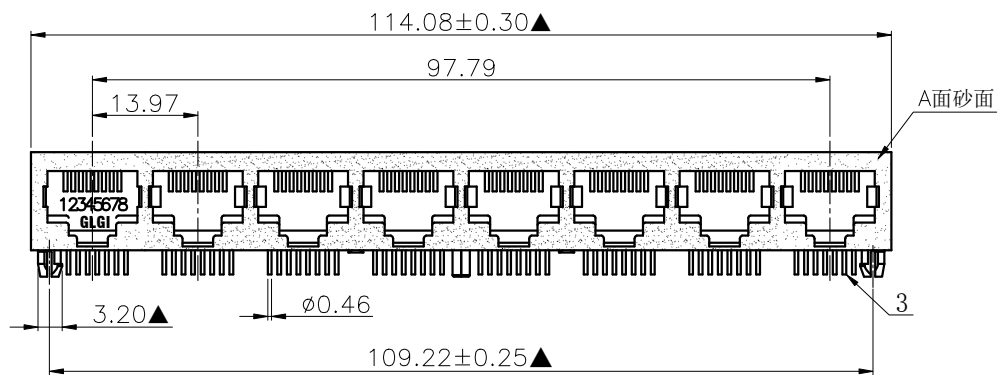


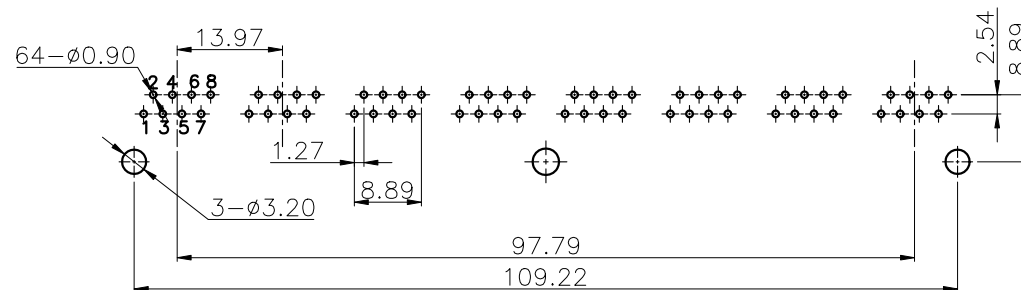
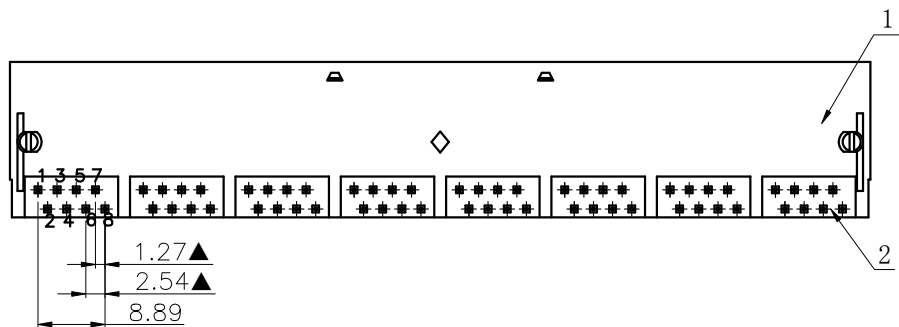
NO.	ECN NO.	DESCRIPTION	REV.	DRAW	DATE
1.					
2.					
3.					



41097-0 0 G X X 1

规格流水码

电镀代码
—05-G/F
—11-3u"
—15-6u"
—19-15u"



RECOMMENDED P. C. B LAYOUT TOP VIEW
(COMPONENT SIDE DIM ±0.05)

MATERIALS:

- Housing: Glass Filled PA46 BLACK UL94V-0 (ROHS).
 - Insert: Glass Filled PBT UL94V-0 (ROHS).
 - Contact: 0.46mm DIA. Phosphor Bronze gold Plating Over Nickel (ROHS).
- ※MATES WITH MODULAR PLUG CONFORMING TO FCC PART 68, SUBPART F.
※The Dimensions Marked "▲" Symbols Are Stand For Key Characteristics.

产品客户图 Customer Drw							
未注公差 TOLERANCE UNLESS OTHERWISE SPECIFIED	.X .XX .XXX X°	±0.35 ±0.25 ±0.15 ±3°	GLGNET ® 深圳市方向电子股份有限公司 SHEN ZHEN GLGNET ELECTRONICS CO., LTD.		品名 TITLE		5921-1x8-8C
比例 SCALE	1:1	角法 PROJ.			设计 DESIGN	料号 ITEM NO.	
张数 SHEET	1/1	大小 SIZE	A4	校对 CHECKED	图号 DWG NO.		GLG-W0-131
单位 UNIT	mm	版本 REV.	A0	核准 APPROVED			