

8

7

6

5

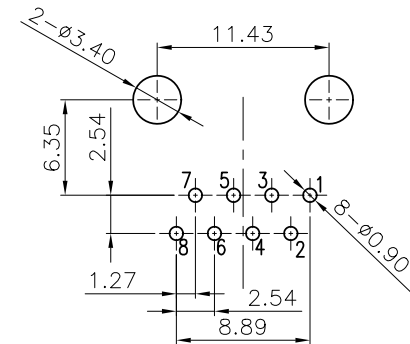
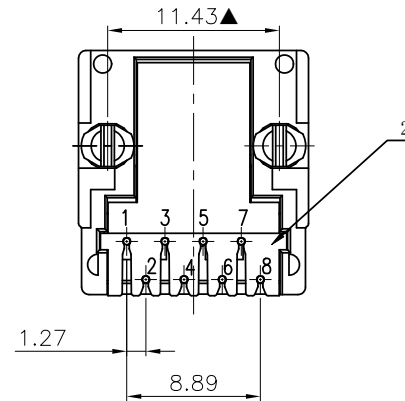
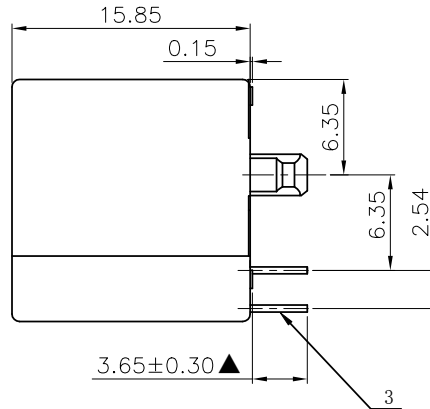
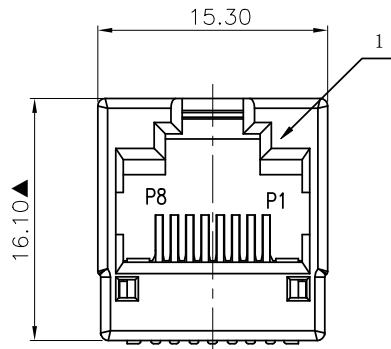
4

3

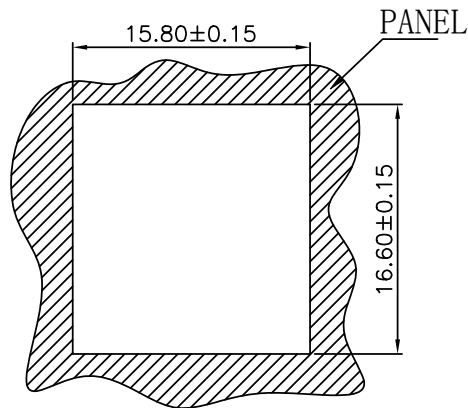
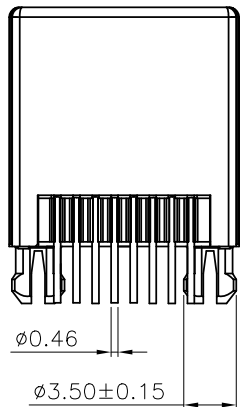
2

1

NO.	ECN NO.	DESCRIPTION	REV.	DRAW	DATE
1					
2					
3					



RECOMMENDED P. C. B LAYOUT TOP VIEW
(COMPONENT SIDE TOLERANCE±0.05)



Recommended panel cutout

NOTES:

- Housing: PA46 BLACK UL94V-0 (RoHS).
 - Insert: PA66 BLACK UL94V-0 (RoHS).
 - Contact: $\phi 0.46$ DIA Phosphor Bronze, 6u" Gold Plating Over Nickel (RoHS).
 - Durability: 750 Cycles Min;
 - Connector Mating, Unmating Force: 30N Max.
 - Plug Retention Force: 50N min, 60s±5s.
- ※MATES WITH MODULAR PLUG CONFORMING TO FCC PART 68, SUBPART F.
※The Dimensions Marked "▲" Symbols Are Stand For Key Characteristics.

Electrical specification:

- Voltage Rating: 125 VAC RMS.
- Current Rating: 1.5A Max @25° C;
- Contact Resistance: 20 m Ω Max;
- Insulation Resistance: 500 M Ω Min. @500 VDC;
- Dielectric withstanding Voltage:
1000 V DC or AC peak, for 1 minute 0.5 mA contact-to-contact.

Environmental characteristics:

- Stockpile Temperature: - 40 ° C to 70° C;
- Operating Temperature: - 40 ° C to 70° C;

41350-00 G XX 1

规格流水码

电镀代码

05-G/F

11-3u"

产品客户图 Customer Drw		GLGNET® 深圳市方向电子股份有限公司 Shenzhen GLGNET Electronics Co.,LTD.				
未注公差 TOLERANCE UNLESS OTHERWISE SPECIFIED	X	±0.35	设计 DESIGN	品名 TITLE	52-8C	
	.XX	±0.25				
	.XXX	±0.15				
比例 SCALE	1:1	角法 PROJ.	设计 DESIGN	品名 TITLE	52-8C	
张数 SHEET	1/1	大小 SIZE	A4	校对 CHECKED	料号 ITEM NO.	41350-00GXX1
单位 UNIT	mm	版本 REV.	P0	核准 APPROVED	图号 DWG NO.	GLG-W0-006

8

7

6

5

4

3

2

1