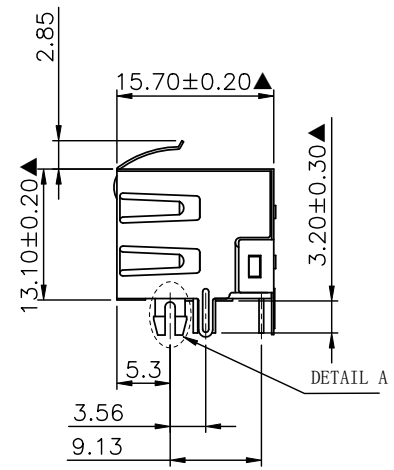
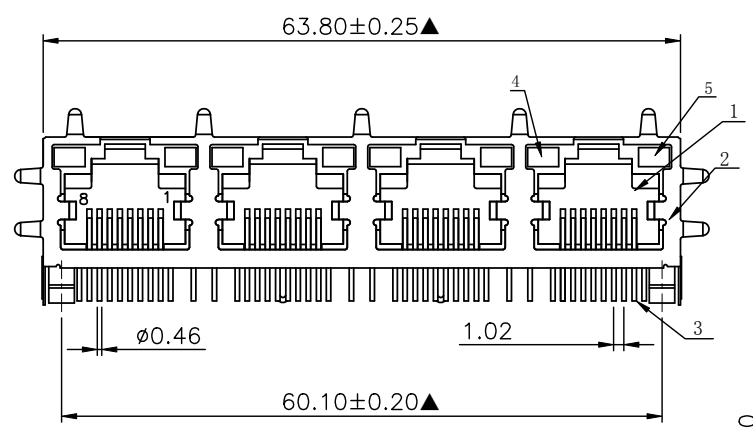


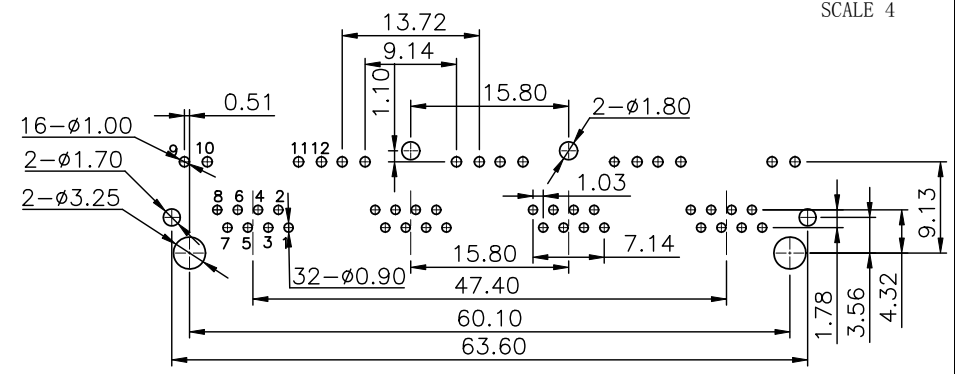
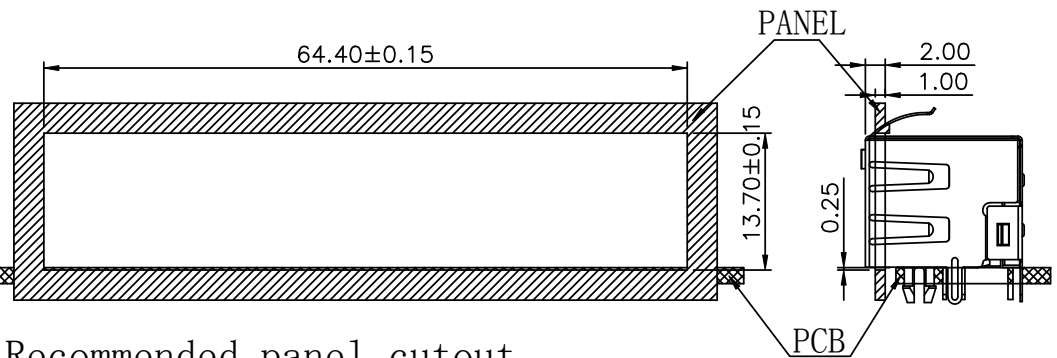
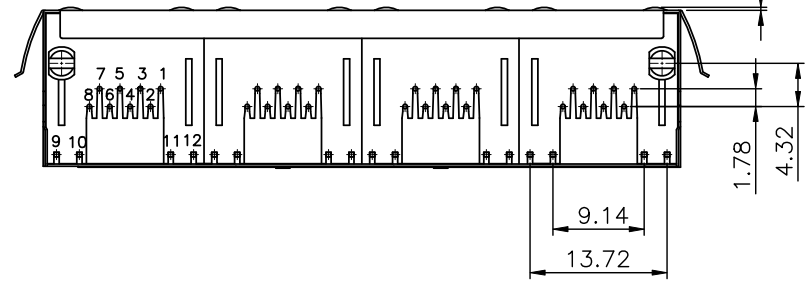
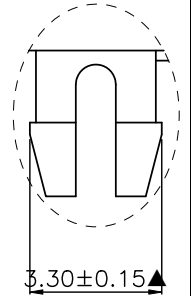
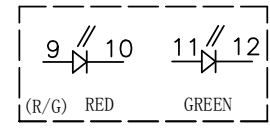
8 7 6 5 4 3 2 1

NO.	ECN NO.	DESCRIPTION	REV.	DRAW	DATE
1.					
2.					
3.					
4.					



42060-00 G X X 1

规格流水码
 电镀代码
 05-G/F
 11-3u"
 15-6u"
 19-15u"
 23-30u"
 24-50u"



Recommended panel cutout

bezel opening below top of PCB

MATERIALS:

- Housing: Glass Filled PA46 BLACK UL94V-0. (ROHS)
 - Shielding: Copper Alloy with Nickel Plated. (ROHS)
 - Contact: 0.46mm DIA. Phosphor Bronze gold Plating Over Nickel. (ROHS)
 - Led1: RED (ROHS) 5. Led2: GREEN (ROHS)
- ※MATES WITH MODULAR PLUG CONFORMING TO FCC PART 68, SUBPART F.
 ※The Dimensions Marked "▲" Symbols Are Stand For Key Characteristics.

产品客户图 Customer Drw					
未注公差 TOLERANCE UNLESS OTHERWISE SPECIFIED	.X .XX .XXX X°	±0.35 ±0.25 ±0.15 ±3°	GLGNET ® 深圳市方向电子股份有限公司 SHEN ZHEN GLGNET ELECTRONICS CO.,LTD.		
比例 SCALE	1:1	角法 PROJ.			
张数 SHEET	1/1	大小 SIZE	A4	校对 CHECKED	5631-S-K9-F-1x4-L-8C-II (R/G)
单位 UNIT	mm	版本 REV.	A0	核准 APPROVED	料号 ITEM NO. 42060-00GXX1
				图号 DWG NO.	GLG-WL-094

8 7 6 5 4 3 2 1