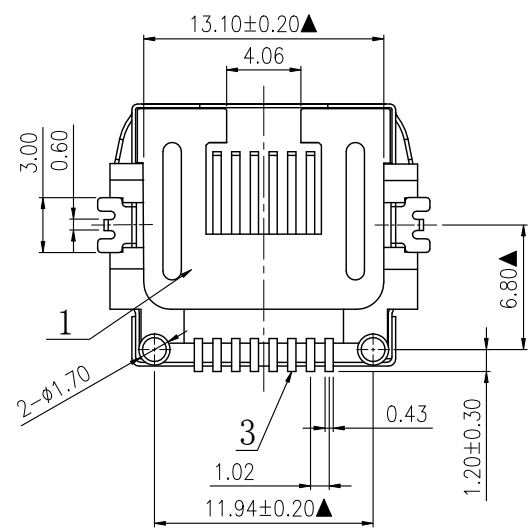
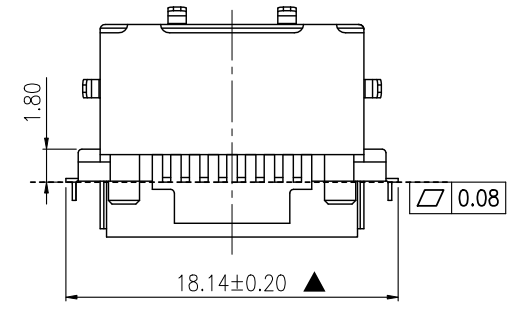
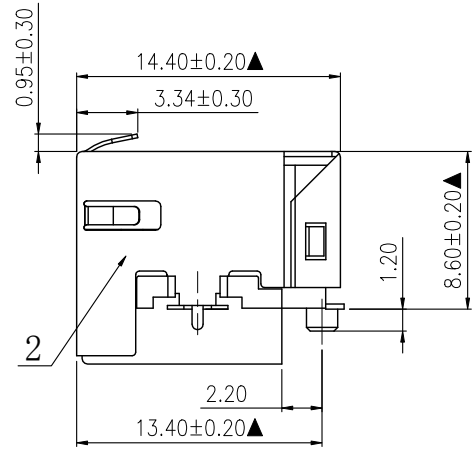
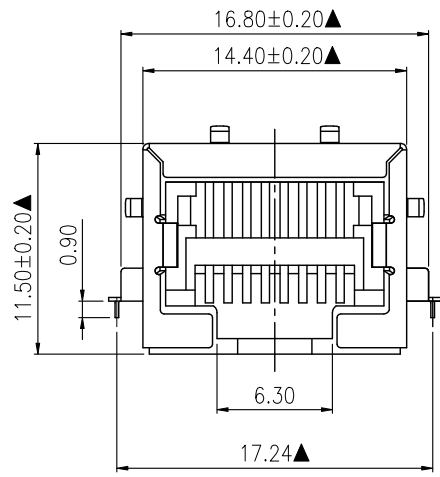
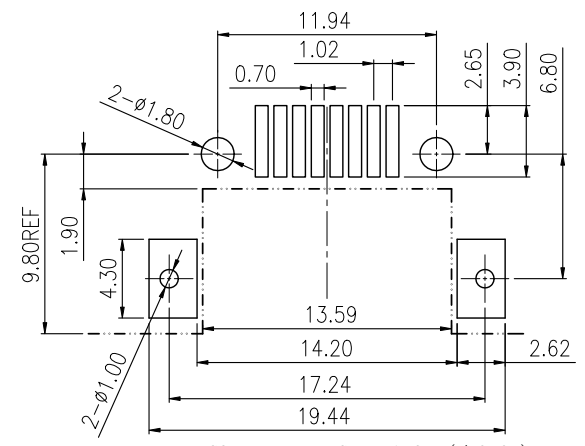


NO.	ECN NO.	DESCRIPTION	REV.	DRAW	DATE
1.					
2.					
3.					



41330-00XXX1  
 J05:Ni50-100u", Au1u"  
 J11:Ni50-100u", Au3u"  
 J15:Ni50-100u", Au6u"  
 J19:Ni50-100u", Au15u"  
 J23:Ni50-100u", Au30u"



RECOMMENDED P. C. B LAYOUT (±0.05)  
 TOP VIEW (COMPONENT SIDE)

**MATERIALS:**

- 1. Housing: Glass Filled PA9T BLACK UL94V-0. (ROHS)
  - 2. Shielding: 0.20mm Thickness Copper Alloy with Nickel Plated. (ROHS)
  - 3. Contact: 0.35\*0.43mm Phosphor Bronze Plating Over Nickel (ROHS).
- ※MATES WITH MODULAR PLUG CONFORMING TO FCC PART 68, SUBPART F.  
 ※The Dimensions Marked "▲" Symbols Are Stand For Key Characteristics.

产品客户图 Customer Drw		
未注公差	.X	±0.35
TOLERANCE	.XX	±0.25
UNLESS	.XXX	±0.15
OTHERWISE	X°	±3°
SPECIFIED		

**GLGNET**® 深圳市方向电子股份有限公司  
 SHEN ZHEN GLGNET ELECTRONICS CO., LTD.

比例	1:1	角法	设计	品名	5J-S-K4-SMT-8C-1J-G
张数	1/1	大小	校对	料号	41330-00JXX1
单位	mm	版本	核准	图号	GLG-W0-307
UNIT		REV.	APPROVED	DWG NO.	