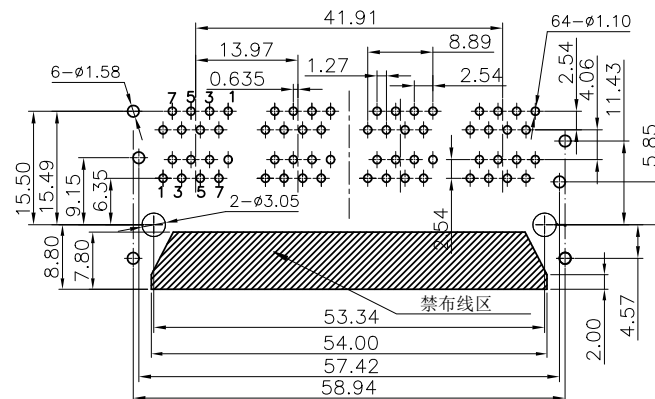
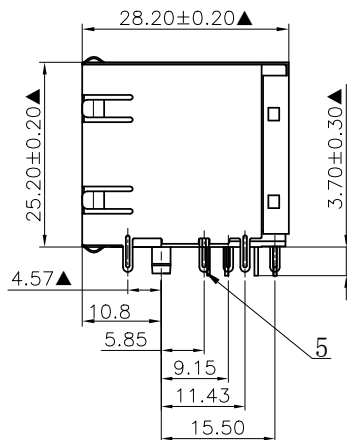
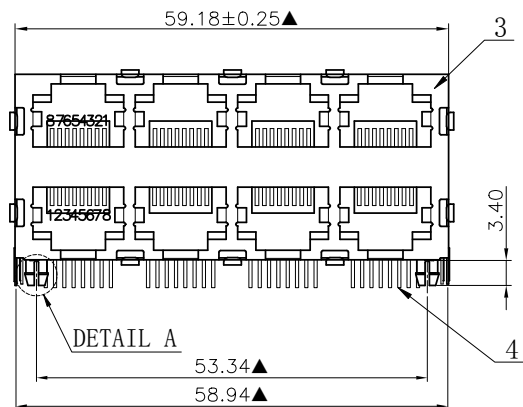
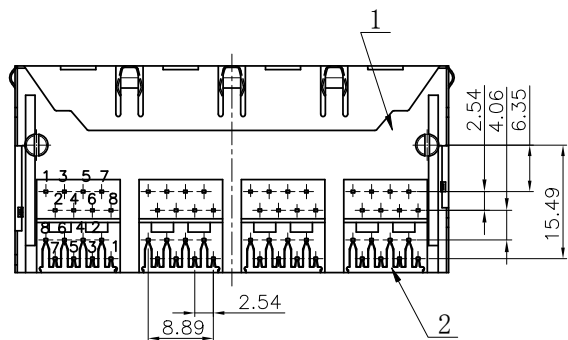


NO.	ECN NO.	DESCRIPTION	REV.	DRAW	DATE
1					
2					
3					



RECOMMENDED P.C.B LAYOUT TOP VIEW  
(COMPONENT SIDE DIM ±0.05)



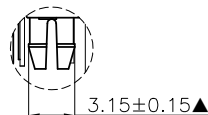
43019-0 9 X X X 1

规格流水码

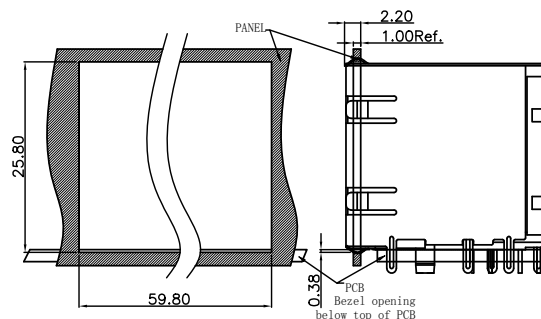
S: 半金亮锡  
M: 半金雾锡

电镀代码

05-G/F  
09-2u"  
11-3u"  
15-6u"  
19-15u"  
23-30u"



DETAIL A SCALE 2:1



Recommended panel cut out

MATERIALS:

- Housing: Glass Filled PA46 BLACK UL94V-0 (ROHS).
  - Insert: Glass Filled PBT UL94V-0 (ROHS).
  - Shielding: 0.20mm Thickness Copper Alloy with Nickel Plated (ROHS).
  - Contact: 0.35\*0.45mm DIA Phosphor Bronze gold Plating Over Nickel (ROHS).
  - Welding post: 0.20mm Copper Alloy with Nickel Plated (ROHS).
- ※MATES WITH MODULAR PLUG CONFORMING TO FCC PART 68, SUBPART F.  
※The Dimensions Marked "▲" Symbols Are Stand For Key Characteristics.

产品客户图 Customer Drw		.X ±0.35		.XX ±0.25		.XXX ±0.15		X° ±2°	
未注公差 TOLERANCE UNLESS OTHERWISE SPECIFIED									
比例 SCALE	1:1	角法 PROJ.		设计 DESIGN		品名 TITLE	5921-Q-S-FK10-A-2x4-8C-09		
张数 SHEET	1/1	大小 SIZE	A4	校对 CHECKED		料号 ITEM NO.	43019-09XXX1		
单位 UNIT	mm	版本 REV.	P0	核准 APPROVED		图号 DWG NO.	GLG-W0-146		

**GLGNET** 深圳市方向电子股份有限公司  
Shenzhen GLGNET Electronics Co.,LTD.