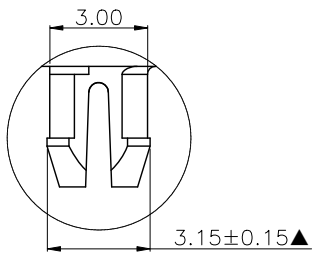
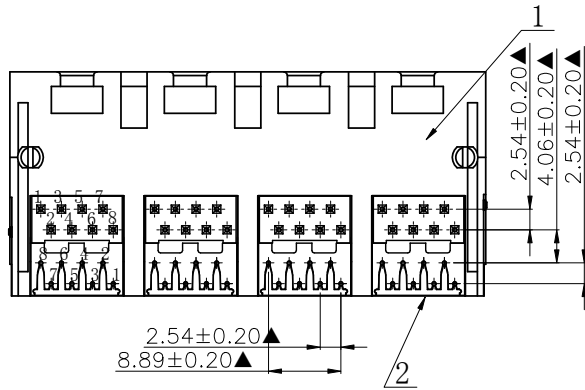
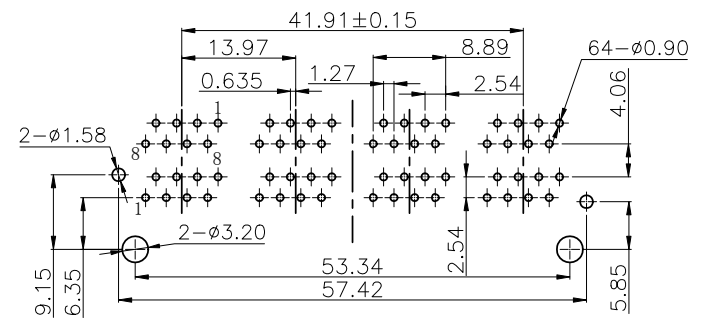
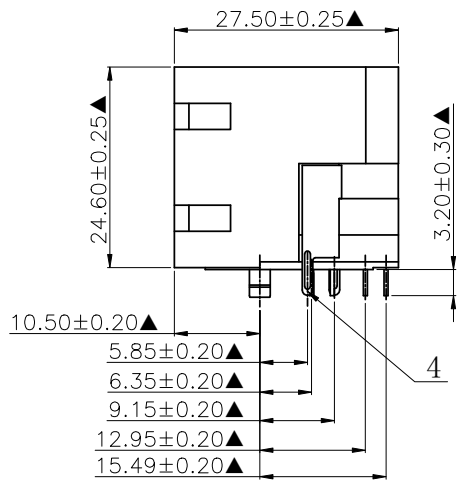
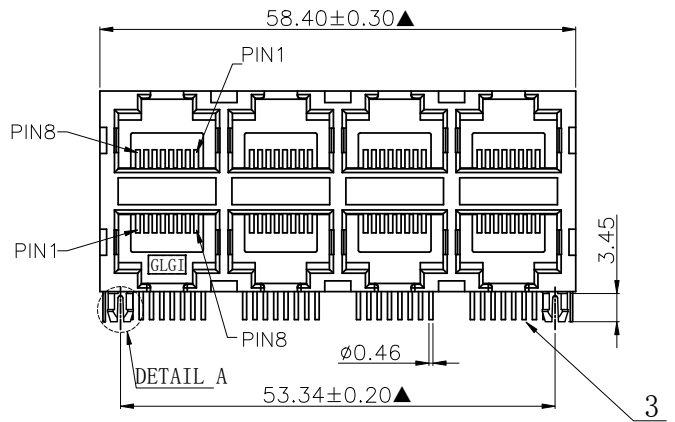
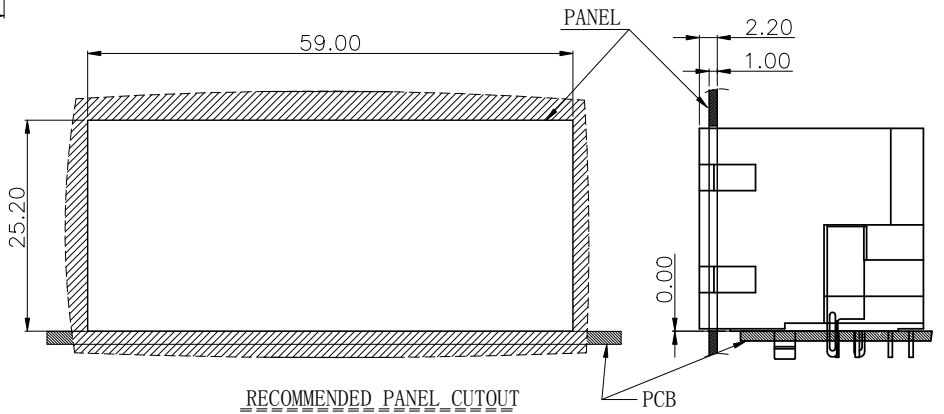


NO.	ECN NO.	DESCRIPTION	REV.	DRAW	DATE



DETAIL A SCALE 4:1



RECOMMENDED PANEL CUTOUT

MATERIALS:

- Housing: Glass Filled PA46 BLACK UL94V-0 (ROHS).
 - Insert: Glass Filled PBT UL94V-0 (ROHS).
 - Contact: 0.46mm DIA Phosphor Bronze gold Plating Over Nickel (ROHS).
 - Welding post: 0.20mm Copper Alloy with Nickel Plated (ROHS).
- ※MATES WITH MODULAR PLUG CONFORMING TO FCC PART 68, SUBPART F.
 ※The Dimensions Marked "▲" Symbols Are Stand For Key Characteristics.

43010-00 G X X 1

- 电镀代码
- 05-G/F
 - 11-3u"
 - 15-6u"
 - 19-15u"
 - 23-30u"

产品客户图 Customer Drw		设计				品名	
未注公差	.X	±0.35	设计		品名	5921-P-2x4-8C	
TOLERANCE	.XX	±0.25	CHECKED		料号	43010-00GXX1	
UNLESS	.XXX	±0.15	核淮		图号	GLG-W0-223	
OTHERWISE	X°	±1°	APPROVED				
SPECIFIED							
比例	1:1	角法					
SCALE		PROJ.					
张数	1/1	大小	A4				
SHEET		SIZE					
单位	mm	版本	A0				
UNIT		REV.					

GLGNET® 深圳市方向电子股份有限公司
 SHEN ZHEN GLGNET ELECTRONICS CO.,LTD.