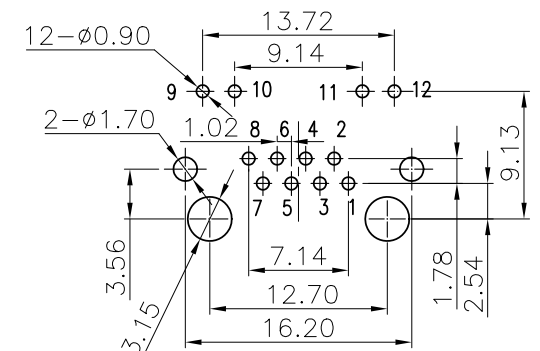
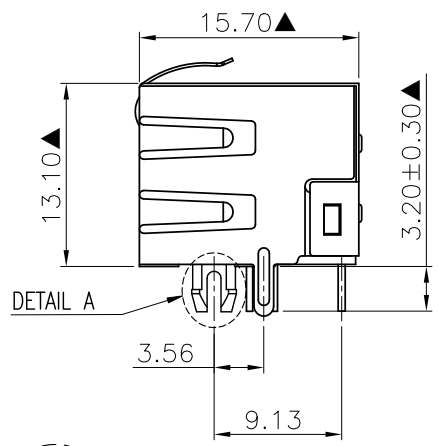
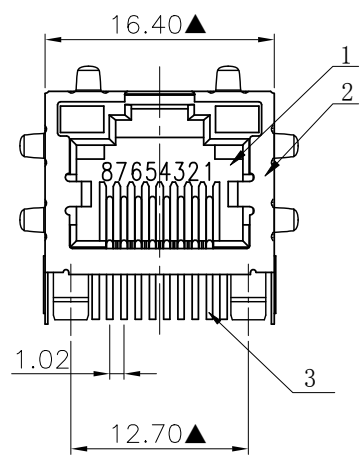
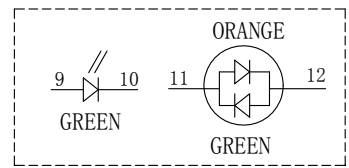
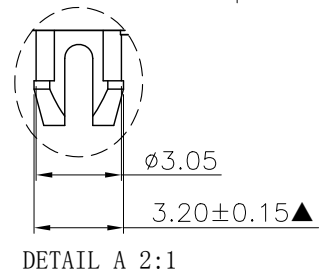
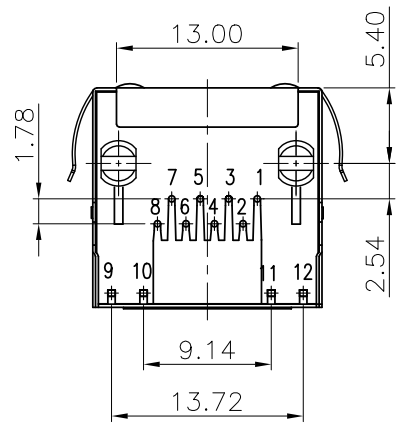


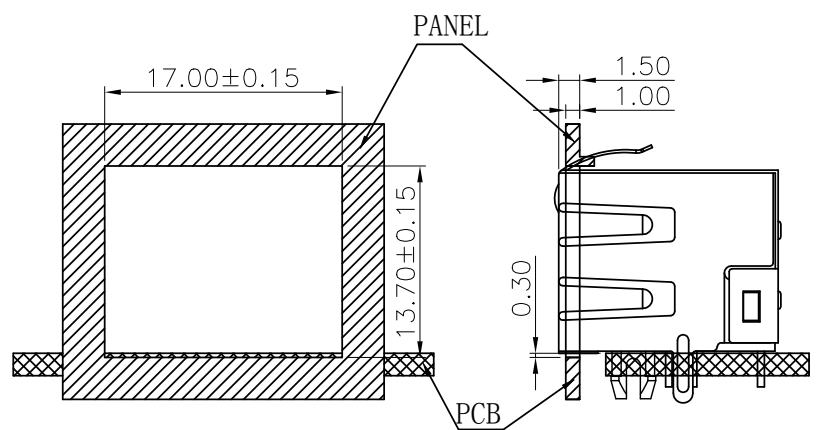
NO.	ECN NO.	DESCRIPTION	REV.	DRAW	DATE
1					
2					
3					



RECOMMENDED P.C.B LAYOUT TOP VIEW  
(COMPONENT SIDE DIM ±0.05)



LED PIN DEFINE



Recommended panel cutout bezel opening below top of PCB

**MATERIALS:**  
 1. Housing: PA46 BLACK UL94V-0 (RoHS).  
 2. Shielding: 0.20mm Thickness Copper Alloy with Nickel Plated (RoHS).  
 3. Contact: 0.46mm DIA Phosphor Bronze gold Plating Over Nickel (RoHS).  
 ※The product is suitable for wave soldering process.  
 ※MATES WITH MODULAR PLUG CONFORMING TO FCC PART 68, SUBPAR F.  
 ※The Dimensions Marked "▲" Symbols Are Stand For Key Characteristics.

42022-24 G X X 1  
 规格流水码  
 电镀代码  
 05-G/F  
 11-3u"  
 15-6u"  
 19-15u"

产品客户图 Customer Drw		TOLERANCE		.X ±0.35		.XX ±0.25		.XXX ±0.15		OTHERWISE SPECIFIED		X° ±2°	
比例 SCALE	1:1	角法 PROJ.	设计 DESIGN	品名 TITLE	5631-S-K6-F-L-8C(G/OG)								
张数 SHEET	1/1	大小 SIZE	A4	校对 CHECKED	料号 ITEM NO.	42022-24GXX1							
单位 UNIT	mm	版本 REV.	P0	核准 APPROVED	图号 DWG NO.	GLG-WL-012							

**GLGNET** 深圳市方向电子股份有限公司  
 Shenzhen GLGNET Electronics Co.,LTD.