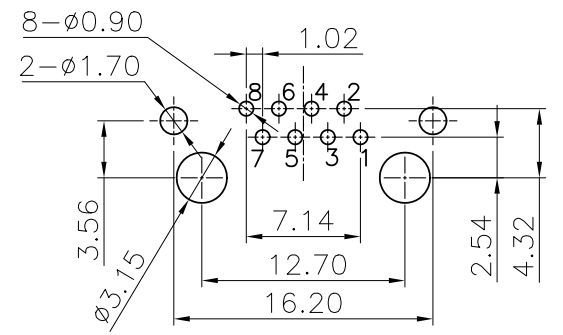
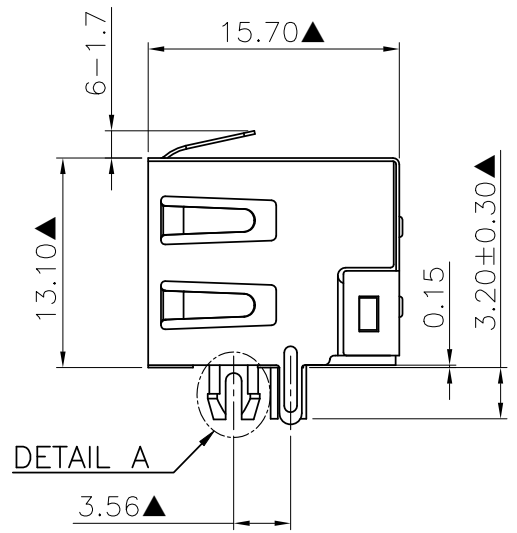
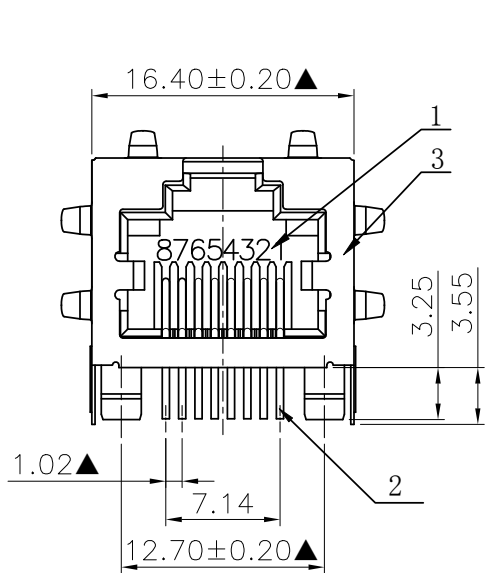
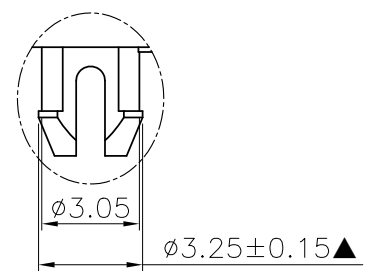
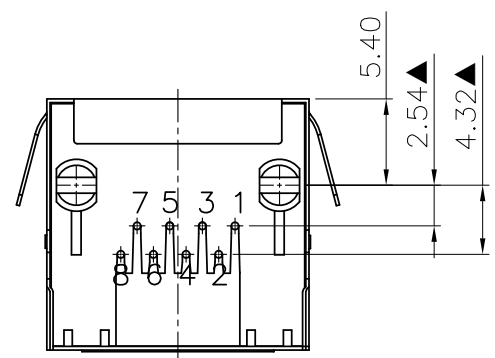


8 7 6 5 4 3 2 1

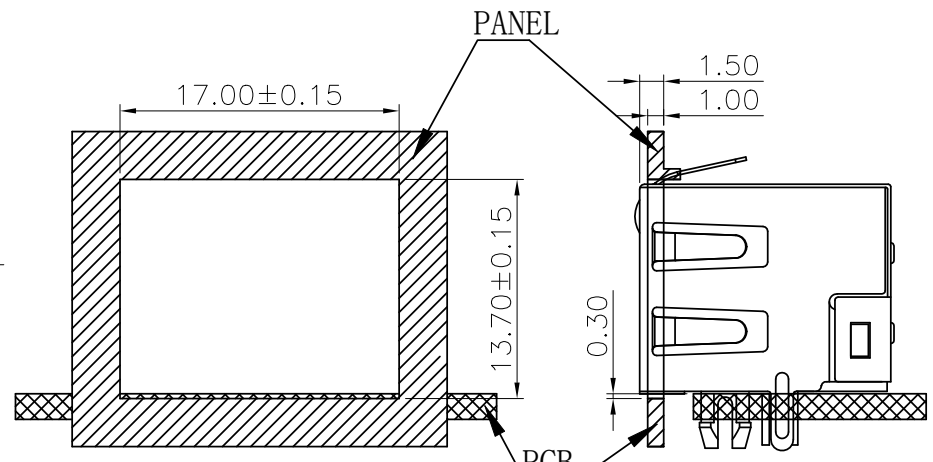
NO.	ECN NO.	DESCRIPTION	REV.	DRAW	DATE
1					
2					
3					



RECOMMENDED P.C.B LAYOUT TOP VIEW  
(COMPONENT SIDE DIM'±0.05)



41223-07 G XX 1  
 规格流水码 | 电镀代码  
 | 05-G/F  
 | 15-6u"  
 | 19-15u"  
 | 23-30u"



Recommended panel cutout  
bezel opening below top of PCB

Mechanical Characteristic:

- Housing: Glass Filled PA46 Black UL94V-0 (RoHS).
  - Contact: 0.46mm DIA Phosphor Bronze gold Plating Over Nickel (RoHS).
  - Shielding: 0.20mm Thickness Copper Alloy with Nickel Plated (RoHS).
- ※MATES WITH MODULAR PLUG CONFORMING TO FCC PART 68, SUBPART F.  
 ※The Dimensions Marked "▲" Symbols Are Stand For Key Characteristics.

产品客户图 Customer Drw			GLGNET® 深圳市方向电子股份有限公司 SHEN ZHEN GLGNET ELECTRONICS CO., LTD.		
未注公差 TOLERANCE UNLESS OTHERWISE SPECIFIED	.X	±0.35	设计 DESIGN	品名 TITLE	5631-S-K6-F-8C-07
	.XX	±0.25			
	.XXX	±0.15			
	X°	±2°			
比例 SCALE	1:1	角法 PROJ.	设计 DESIGN	品名 TITLE	5631-S-K6-F-8C-07
张数 SHEET	1/1	大小 SIZE	A4	校对 CHECKED	料号 ITEM NO.
单位 UNIT	mm	版本 REV.	P0	核准 APPROVED	图号 DWG NO.
					41223-07GXX1
					GLG-W0-102

8 7 6 5 4 3 2 1