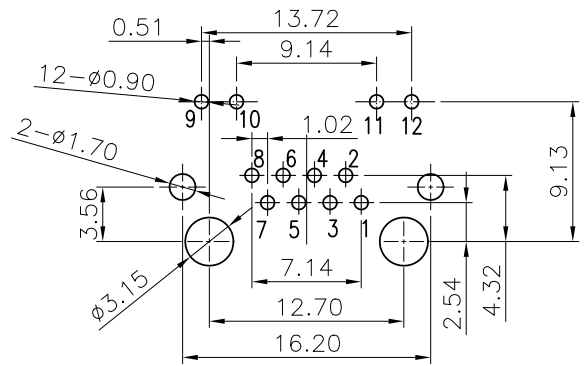
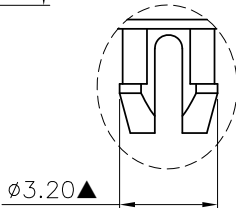
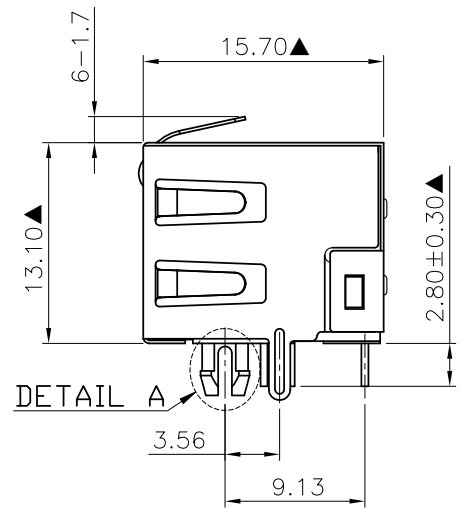
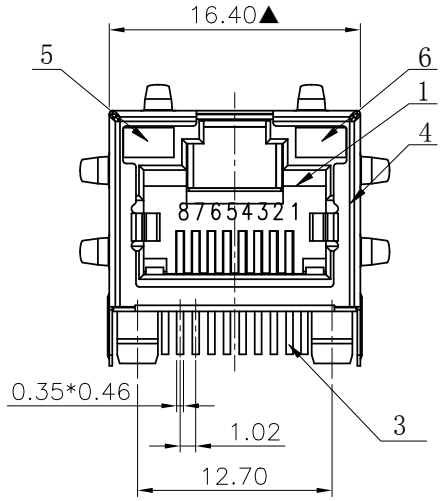
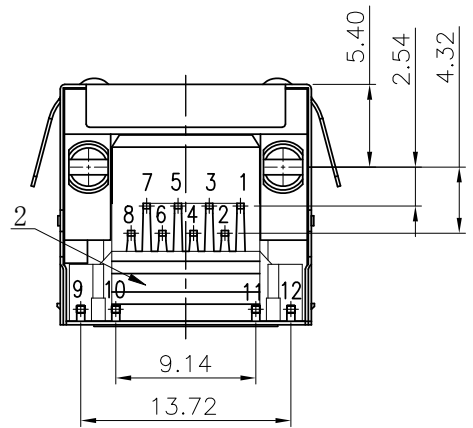


NO.	ECN NO.	DESCRIPTION	REV.	DRAW	DATE
1.					
2.					
3.					



RECOMMENDED P.C.B LAYOUT TOP VIEW  
(COMPONENT SIDE TOLERANCE±0.05)



42002-3 8 X X X 1

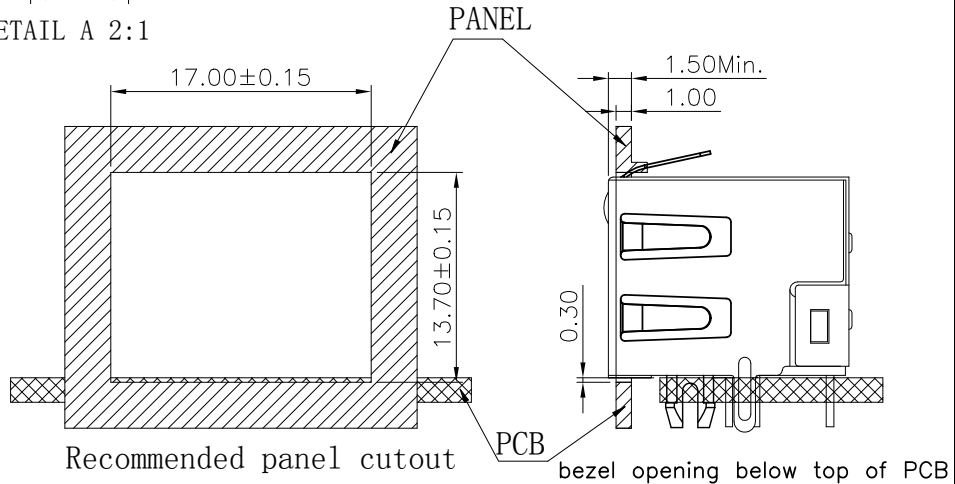
规格流水码

S: 半金亮锡  
M: 半金雾锡

电镀代码

05-G/F  
09-2u"  
11-3u"  
15-6u"  
19-15u"  
23-30u"

DETAIL A 2:1

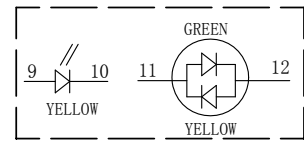


Recommended panel cutout

bezel opening below top of PCB

MATERIALS:

- Housing: Glass Filled PA46 BLACK UL94V-0 (ROHS).
  - Insert: Glass Filled PBT UL94V-0 (ROHS)
  - Contact: T=0.35mm Phosphor Bronzegold Plating Over Nickel (ROHS).
  - Shielding: 0.20mm Thickness Copper Alloy with Nickel Plated (ROHS).
  - LED1: YELLOW (RoHS);
  - LED2: GREEN/YELLOW (RoHS);
- ※MATES WITH MODULAR PLUG CONFORMING TO FCC PART 68, SUBPART F.  
※The Dimensions Marked "▲" Symbols Are Stand For Key Characteristics.



LED PIN DEFINE

产品客户图 Customer Drw		
未注公差 TOLERANCE UNLESS OTHERWISE SPECIFIED	.X	±0.35
	.XX	±0.25
	.XXX	±0.15
	X°	±2°

**GLGNET**® 深圳市方向电子股份有限公司  
Shenzhen GLGNET Electronics Co.,LTD.

比例 SCALE	1:1	角法 PROJ.	设计 DESIGN	品名 TITLE	5631-Q-S-K6-F-L-8C-38(Y/GY)
张数 SHEET	1/1	大小 SIZE	校对 CHECKED	料号 ITEM NO.	42002-38XXX1
单位 UNIT	mm	版本 REV.	核准 APPROVED	图号 DWG NO.	GLG-WL-073