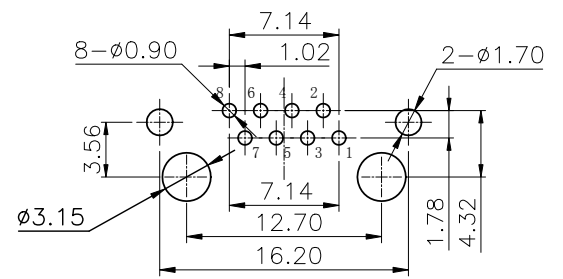
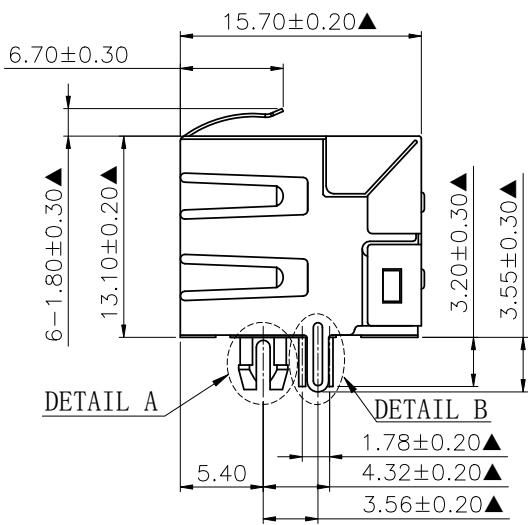
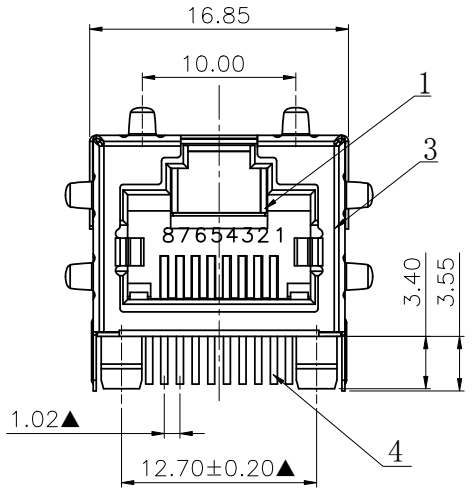
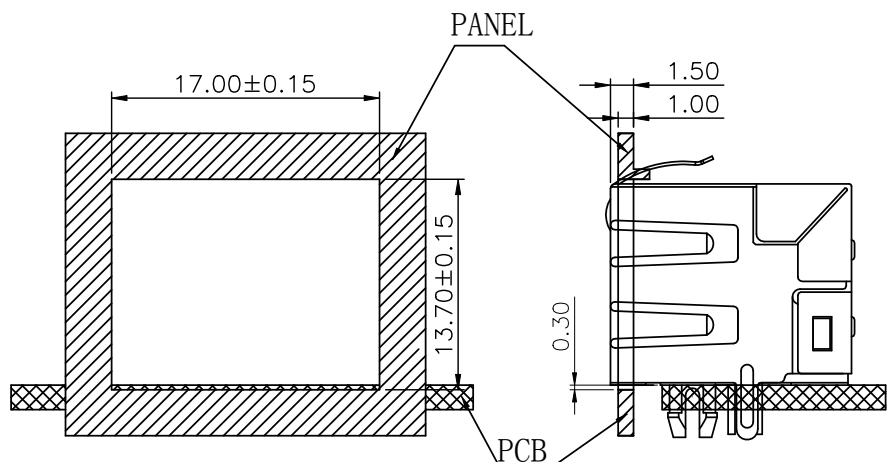
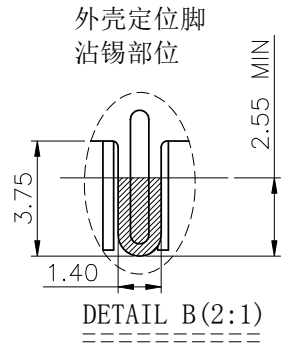
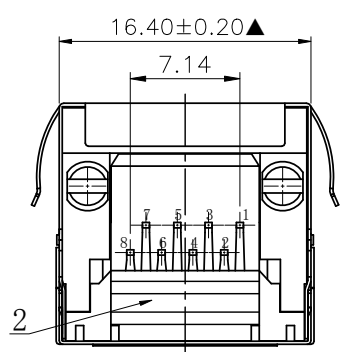


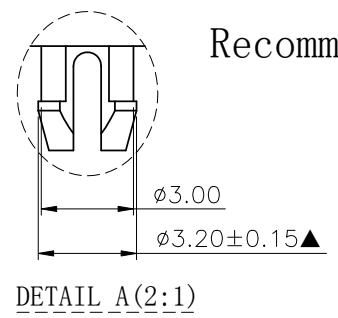
NO.	ECN NO.	DESCRIPTION	REV.	DRAW	DATE



RECOMMENDED P.C.B LAYOUT TOP VIEW
(COMPONENT SIDE TOLERANCE±0.05)



Recommended panel cutout bezel opening below top of PCB



MATERIALS:
 1. Housing: Glass Filled PA46 BLACK UL94V-0 (ROHS).
 2. Insert: Glass Filled PBT UL94V-0 (ROHS).
 3. Shielding: Copper Alloy with Nickel Plated (ROHS).
 4. Contact: 0.35*0.46mm Phosphor Bronze gold Plating Over Nickel (ROHS).
 ※MATES WITH MODULAR PLUG CONFORMING TO FCC PART 68, SUBPART F.
 ※The Dimensions Marked "▲" Symbols Are Stand For Key Characteristics.

产品检验图 Inspection Drw		
未注公差 TOLERANCE UNLESS OTHERWISE SPECIFIED	.X	±0.35
	.XX	±0.25
	.XXX	±0.15
	X°	±3°

GLGNET® 深圳市方向电子股份有限公司
 Shenzhen GLGNET Electronics Co.,LTD.

比例 SCALE	1:1	角法 PROJ.	设计 DESIGN	品名 TITLE	5631-Q-S-K6-F-8C
张数 SHEET	1/1	纸张 SIZE	校对 CHECKED	料号 ITEM NO.	41227-00XXX1
单位 UNIT	mm	版本 REV.	核准 APPROVE	图号 DWG NO.	GLG-W0-239 GLG-110231