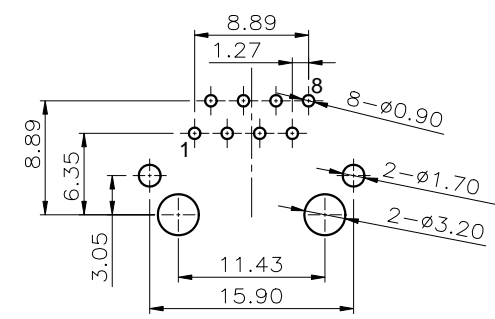
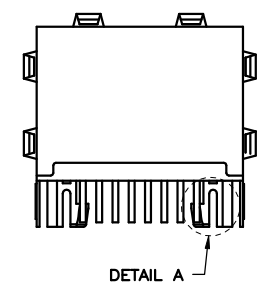
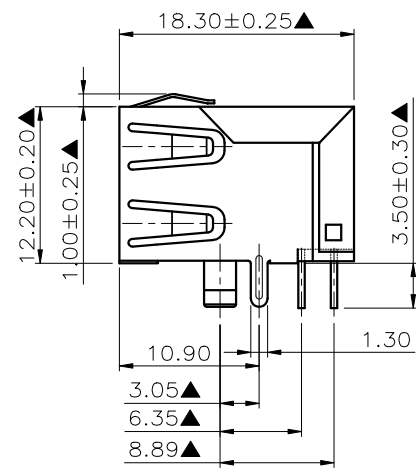
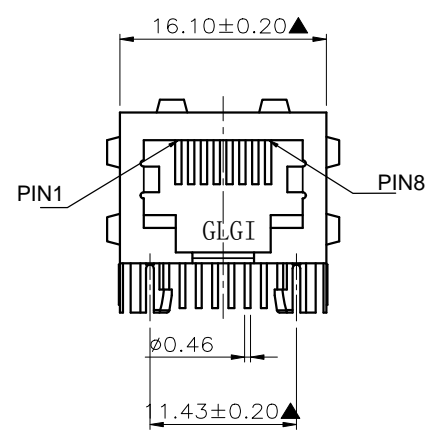
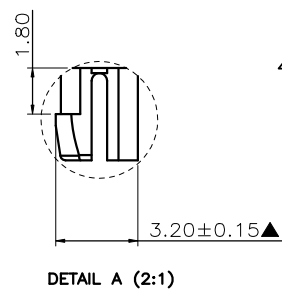
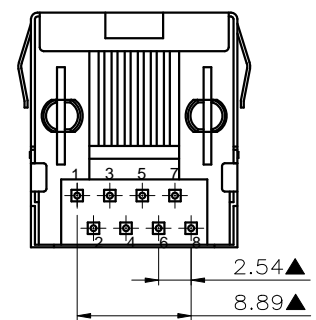


NO.	ECN NO.	DESCRIPTION	REV.	DRAW	DATE

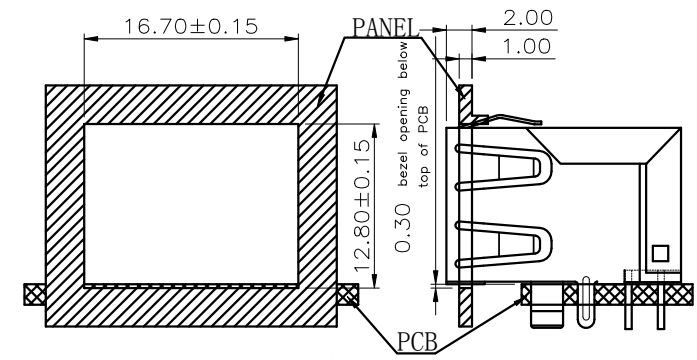


RECOMMENDED P.C.B LAYOUT (±0.05)
TOP VIEW (COMPONENT SIDE)



41014-00 G X X 1
规格流水码

电镀代码
05-G/F
09-2u"
11-3u"
15-6u"
19-15u"



Recommended panel cutout

MATERIALS:

1. Housing: Glass Filled PA46 Black UL94V-0 (ROHS).
 2. Insert: Glass Filled PBT Black UL94V-0 (ROHS).
 3. Contact: 0.46mm DIA Phosphor Bronze gold Plating Over Nickel (ROHS).
 4. Shielding: 0.20mm Thickness Copper Alloy with Nickel Plated (ROHS).
- ※MATES WITH MODULAR PLUG CONFORMING TO FCC 68.SUBPART F.
※The Dimensions Marked "▲" Symbols Are Stand For Key Characteristics.

产品客户图 Customer Drw		.X ±0.35		.XX ±0.25		.XXX ±0.15		.X° ±2°	
未注公差 TOLERANCE UNLESS OTHERWISE SPECIFIED									
比例 SCALE	1:1	角法 PROJ.	设计 DESIGN		品名 TITLE	5622-S-K6-C-8C			
张数 SHEET	1/1	大小 SIZE	A4	校对 CHECKED	料号 ITEM NO.	41014-00GXX1			
单位 UNIT	mm	版本 REV.	C0	核准 APPROVED	图号 DWG NO.	GLG-W0-173 GLG-110095			

GLGNET® 深圳市方向电子股份有限公司
Shenzhen GLGNET Electronics Co.,LTD.