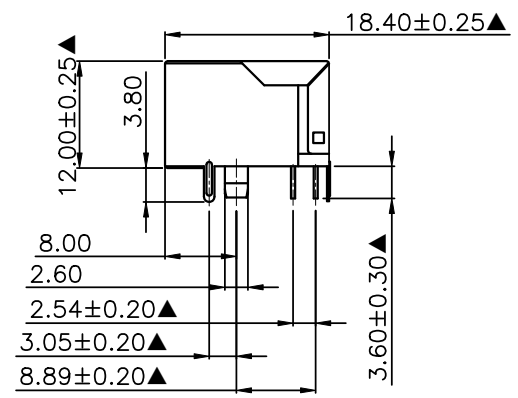


RECOMMENDED P. C. B LAYOUT TOP VIEW
(COMPONENT SIDE TOLERANCE ±0.05)

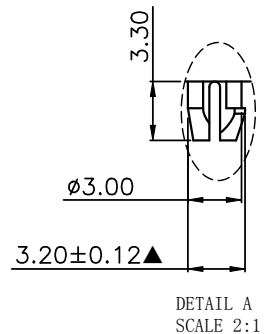
- MATERIALS:**
1. Housing: Glass Filled PA46 BLACK UL94V-0 (ROHS).
 2. Insert: Glass Filled PBT UL94V-0 (ROHS).
 3. Shielding: Copper Alloy with Nickel Plated (ROHS).
 4. Contact: 0.46mm DIA. Phosphor Bronze gold Plating Over Nickel (ROHS).
- ※MATES WITH MODULAR PLUG CONFORMING TO FCC PART 68, SUBPART F.
※The Dimensions Marked "▲" Symbols Are Stand For Key Characteristics.

NO.	ECN NO.	DESCRIPTION	REV.	DRAW	DATE



41032-00 G X X 1
规格流水码

电镀代码
-05-G/F
-11-3u"
-15-6u"
-19-15u"



产品客户图 Customer Drw				品名 TITLE	
未注公差 TOLERANCE UNLESS OTHERWISE SPECIFIED	.X .XX .XXX X°	±0.35 ±0.25 ±0.15 ±2°	角法 PROJ.	设计 DESIGN	5622-S-D-1x8-8C-III
比例 SCALE	1:1	大小 SIZE	校对 CHECKED	料号 ITEM NO.	41032-00GXX1
张数 SHEET	1/1	版本 REV.	核准 APPROVED	图号 DWG NO.	GLG-WO-177 GLG-110105

GLGNET 深圳市方向电子股份有限公司
SHEN ZHEN GLGNET ELECTRONICS CO.,LTD.