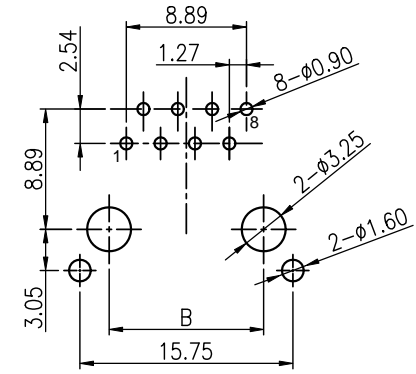
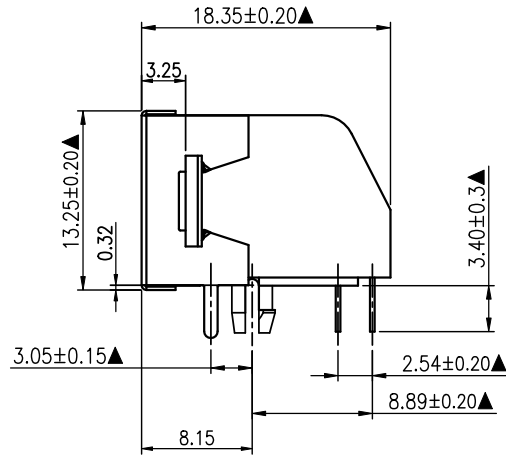
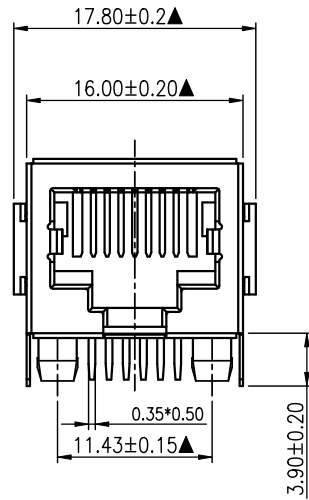
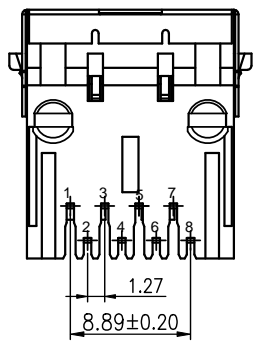


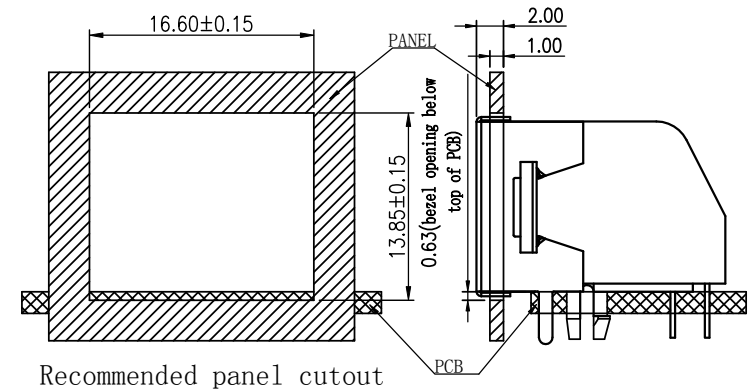
NO.	ECN NO.	DESCRIPTION	REV.	DRAW	DATE



Recommended PCB Layout
(Top View TOLERANCE ±0.05)



41005-01 X X X 1
规格流水码 | 电镀代码
电镀方式
S 半金亮锡 | 05-G/F
M 半金雾锡 | 15-6u"
| 19-15u"
| 23-30u"
| 24-50u"



Recommended panel cutout

MATERIALS:

- Housing: Housing: Glass Filled PA46 Black UL94V-0 (ROHS).
 - Shielding: 0.25mm Thickness Copper Alloy with Nickel Plated (ROHS).
 - Contact: 0.35mm Phosphor Bronze gold Plating Over Nickel (ROHS).
- ※MATES WITH MODULAR PLUG CONFORMING TO FCC PART 68, SUBPART F.
※The Dimensions Marked "▲" Symbols Are Stand For Key Characteristics.

产品客户图 Customer Drw		GLGNET® 深圳市方向电子股份有限公司 SHEN ZHEN GLGNET ELECTRONICS CO., LTD.			
未注公差 TOLERANCE	.X .XX .XXX X°	±0.35 ±0.25 ±0.15 ±3°	设计 DESIGN	品名 TITLE	5622-Q-T-D-R-W-8C-1B
张数 SHEET	1/1	大小 SIZE	A4	校对 CHECKED	料号 ITEM NO.
单位 UNIT	mm	版本 REV.	A0	核准 APPROVED	图号 DWG NO.
					41005-01XXX1
					GLG-W0-023