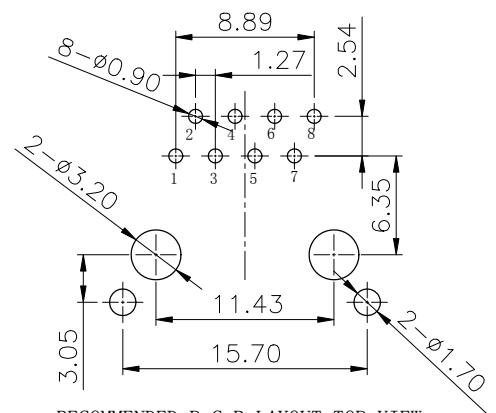
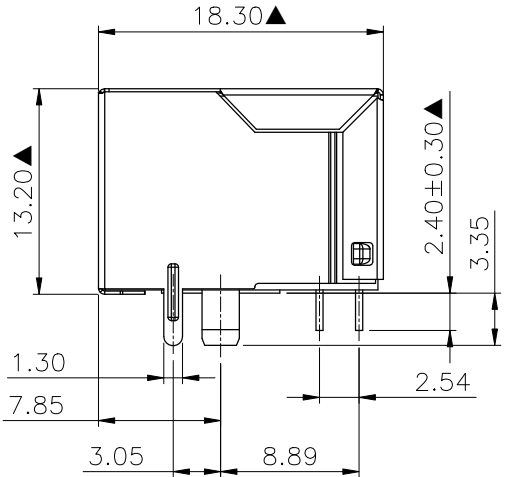
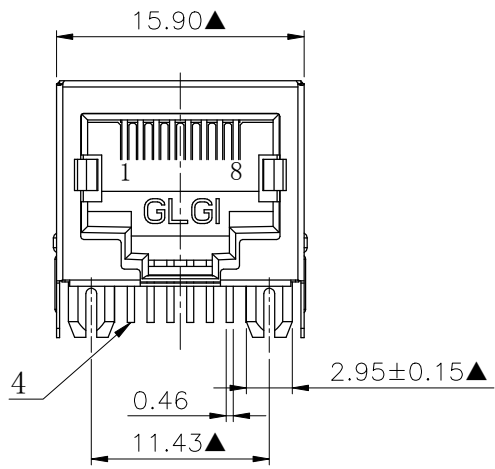
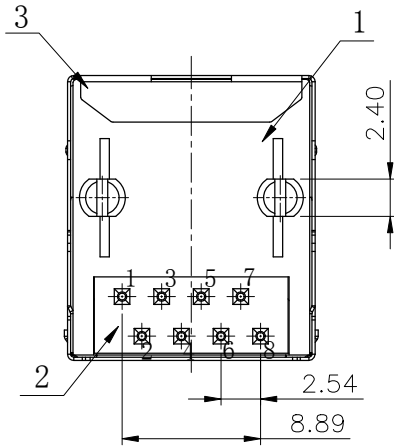


NO.	ECN NO.	DESCRIPTION	REV.	DRAW	DATE
1					
2					
3					

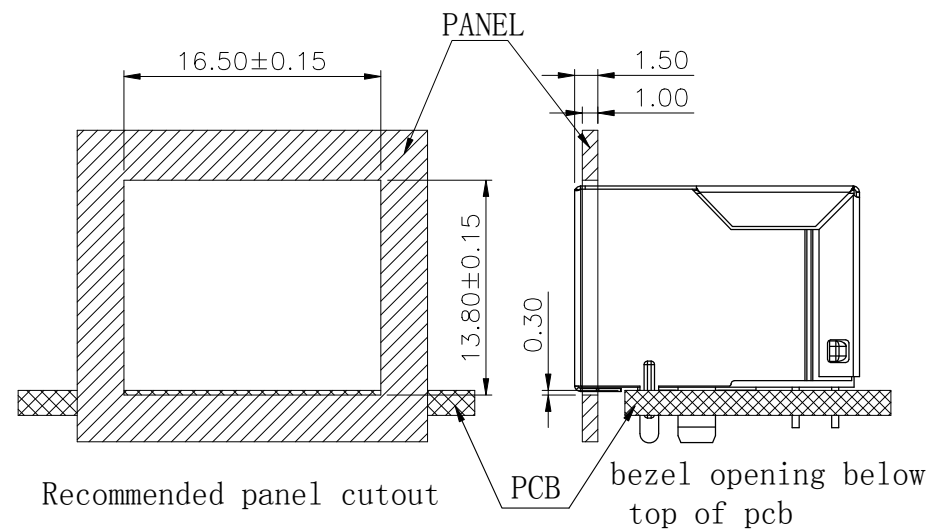


RECOMMENDED P. C. B LAYOUT TOP VIEW  
(COMPONENT SIDE TOLERANCE ± 0.05)



41363-2 7 G X X 1  
规格流水码

电镀代码  
05-G/F  
11-3u"  
15-6u"  
19-15u"  
23-30u"



MATERIALS:

- 1. Housing: PA46 BLACK UL94V-0 (RoHS).
  - 2. Insert: PBT UL94V-0 (RoHS).
  - 3. Shielding: Copper Alloy with Nickel Plated. (RoHS)
  - 4. Contact: 0.46mm DIA. Phosphor Bronze gold Plating Over Nickel. (RoHS)
- ※MATES WITH MODULAR PLUG CONFORMING TO FCC PART 68, SUBPART F.  
※The Dimensions Marked "▲" Symbols Are Stand For Key Characteristics.

产品客户图 Customer Drw		.X ±0.35		.XX ±0.25		.XXX ±0.15		X° ±2°	
未注公差 TOLERANCE UNLESS OTHERWISE SPECIFIED									
比例 SCALE	1:1	角法 PROJ.	设计 DESIGN			品名 TITLE	5621-S-D-8C-1G-27		
张数 SHEET	1/1	大小 SIZE	A4	校对 CHECKED		料号 ITEM NO.	41363-27GXX1		
单位 UNIT	mm	版本 REV.	P0	核准 APPROVED		图号 DWG NO.	GLG-W0-034		

**GLGNET** 深圳市方向电子股份有限公司  
Shenzhen GLGNET Electronics Co.,LTD.