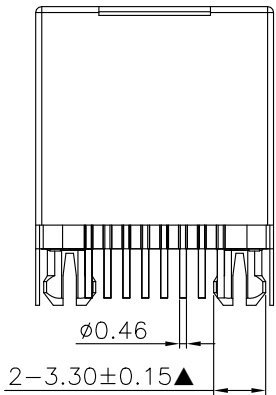
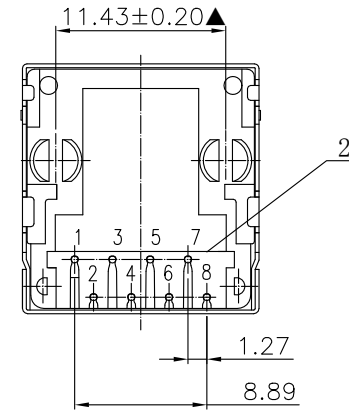
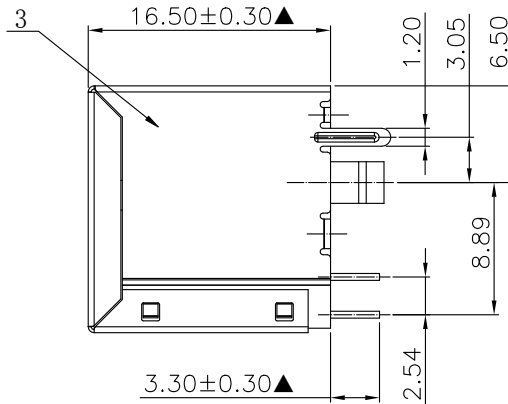
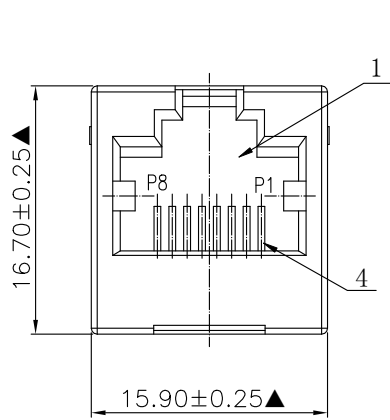
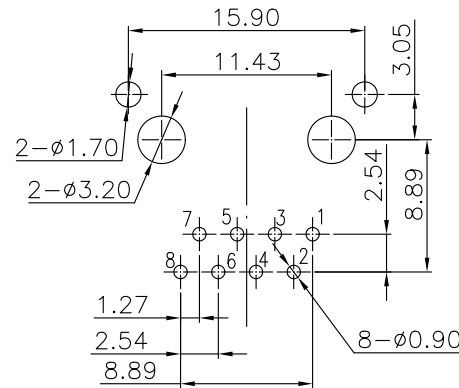


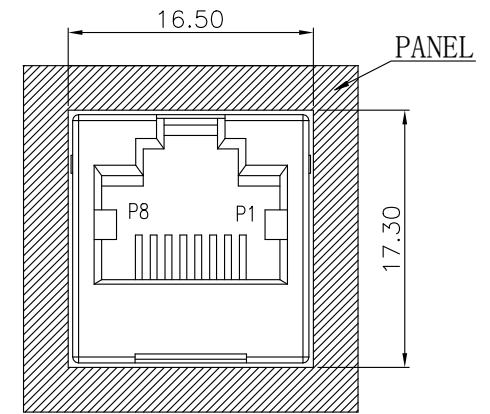
NO.	ECN NO.	DESCRIPTION	REV.	DRAW	DATE



41351-07 G XX 1
规格流水码
电镀代码
-05-G/F
-11-3u"
-15-6u"



RECOMMENDED P. C. B LAYOUT TOP VIEW
(Component side tolerance ±0.05)



Recommend panel cutout

NOTES:

- Housing: Glass Filled PA46 Black UL94V-0 (RoHS).
 - Insert: Glass Filled PA66 Black UL94V-0 (RoHS).
 - Contact: $\phi 0.46$ DIA Phosphor Bronze, Gold Plating Over Nickel (RoHS).
 - Shielding: 0.20mm Thickness Copper Alloy with Nickel Plated (ROHS).
 - Durability: 750 Cycles Min;
 - Connector Mating, Unmating Force: 30N Max.
 - Plug Retention Force: 50N min, 60s±5s.
- ※MATES WITH MODULAR PLUG CONFORMING TO FCC PART 68, SUBPART F.
※The Dimensions Marked "▲" Symbols Are Stand For Key Characteristics.

Electrical specification:

- Voltage Rating: 125 VAC RMS.
 - Current Rating: 1.5A Max @25° C;
 - Contact Resistance: 20 mΩ Max;
 - Insulation Resistance: 500 MΩ Min. @500 VDC;
 - Dielectric withstanding Voltage:
1000 V DC or AC peak, for 1 minute 0.5 mA contact-to-contact.
1500 V DC or AC peak, for 1 minute 0.5 mA contact to screen and test panel.
- Environmental characteristics:
1. Stockpile Temperature: -40 ° C to 70° C;
2. Operating Temperature: -40 ° C to 70° C;

产品客户图 Customer Drw		GLGNET® 深圳市方向电子股份有限公司 SHEN ZHEN GLGNET ELECTRONICS CO.,LTD.			
未注公差 TOLERANCE UNLESS OTHERWISE SPECIFIED	.X	±0.35	设计 DESIGN	品名 TITLE	52-S-D-8C-1C
	.XX	±0.25			
	.XXX	±0.15	校对 CHECKED	料号 ITEM NO.	41351-07GXX1
	X°	±2°			
比例 SCALE	1:1	角法 PROJ.	设计 DESIGN	品名 TITLE	52-S-D-8C-1C
张数 SHEET	1/1	纸张 SIZE	A4	校对 CHECKED	料号 ITEM NO.
单位 UNIT	mm	版本 REV.	P0	核准 APPROVE	图号 DWG NO.
					GLG-W0-007