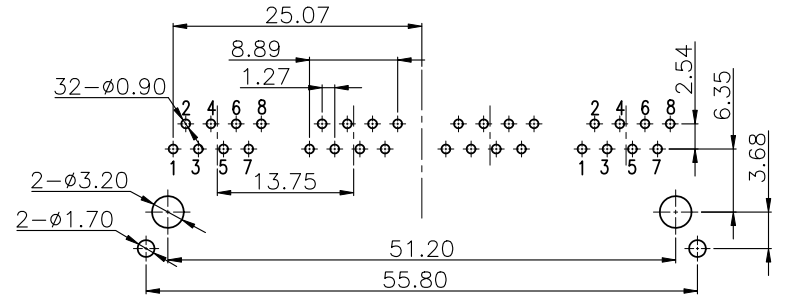
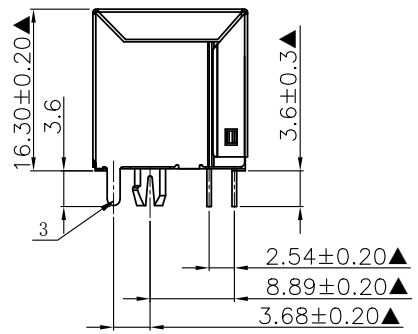


NO.	ECN NO.	DESCRIPTION	REV.	DRAW	DATE



RECOMMENDED P.C.B LAYOUT TOP VIEW
(COMPONENT SIDE TOLERANCE ±0.05)



41353-0 0 G X X 1
 规格流水码 | 电镀代码
 -05-G/F
 -11-3u"
 -15-6u"
 -19-15u"

MATERIALS:
 1. Housing: Glass Filled PA46 BLACK UL94V-0 (ROHS).
 2. Insert: Glass Filled PBT BLACK UL94V-0 (ROHS).
 3. Shielding: Copper Alloy with Nickel Plated (ROHS).
 4. Contact: 0.46mm DIA. Phosphor Bronze gold Plating Over Nickel.
 ※MATES WITH MODULAR PLUG CONFORMING TO FCC PART 68, SUBPART F.
 ※The Dimensions Marked "▲" Symbols Are Stand For Key Characteristics.

产品客户图 Customer Drw		.X ±0.35		.XX ±0.25		.XXX ±0.15		X° ±2°	
未注公差 TOLERANCE UNLESS OTHERWISE SPECIFIED									
比例 SCALE	1:1	角法 PROJ.	设计 DESIGN	品名 TITLE	52-S-B-1x4-8C				
张数 SHEET	1/1	大小 SIZE	A4	校对 CHECKED	料号 ITEM NO.	41353-00GXX1			
单位 UNIT	mm	版本 REV.	A0	核准 APPROVED	图号 DWG NO.	GLG-W0-140			

GLGNET 深圳市方向电子股份有限公司
 SHEN ZHEN GLGNET ELECTRONICS CO., LTD.