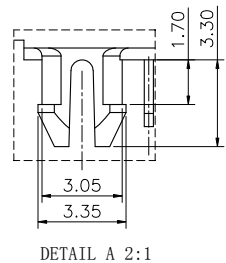
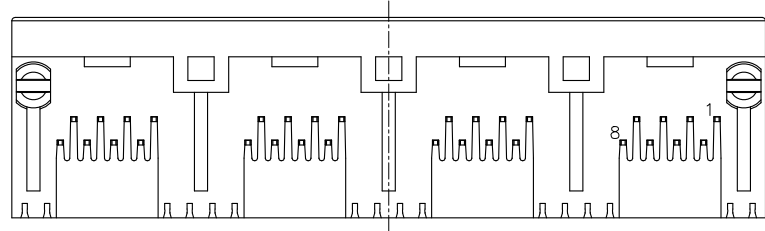
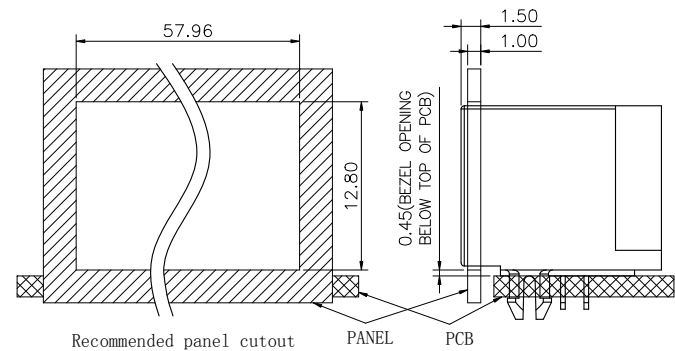
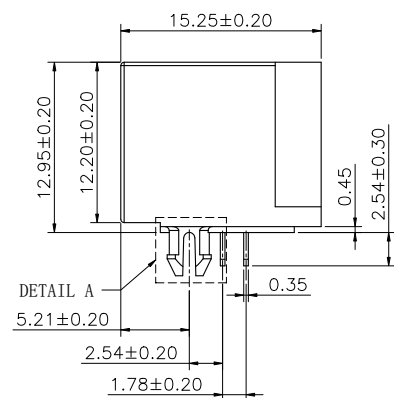
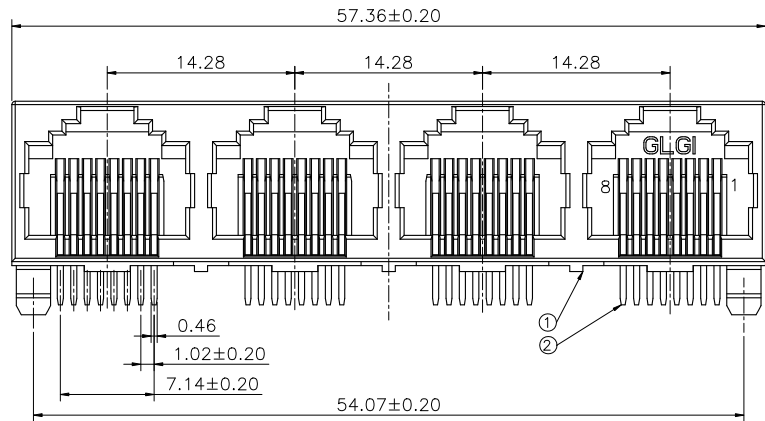


NO.	ECN NO.	DESCRIPTION	REV.	DRAW	DATE
1					
2					
3					



41320-00 X X X 1

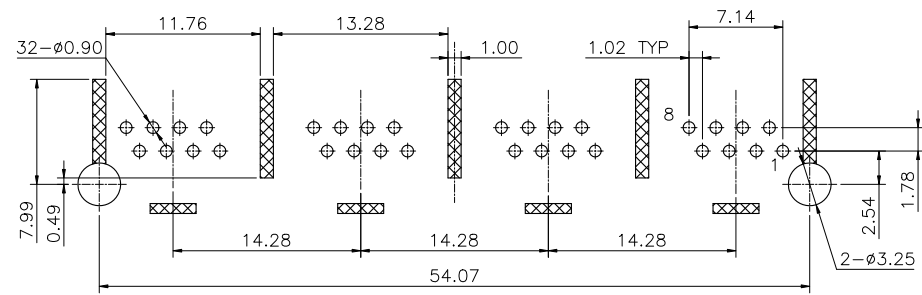
规格流水码

电镀规格
S 半金亮锡
M 半金雾锡

电镀代码
—05-G/F
—11-3u"
—15-6u"
—19-15u"
—23-30u"

NOTE:

- ELECTRICAL:
 - VOLTAGE RATING: 150Vac RMS .
 - CURRENT RATING: 1.5AMP .
 - CONTACT RESISTANCE: 30mΩ MAX .
 - INSULATION RESISTANCE: 500MΩ MIN @ 100Vdc .
 - DIELECTRIC WITHSTANDING VOLTAGE: 1000Vac RMS 50Hz 1MIN.
- MECHANICAL CHARACTERISTICS:
 - DURABILITY: 750 CYCLES.
- ENVIRONMENTAL:
 - STORAGE TEMPERATURE : -40° C TO 70° C.
 - OPERATION TEMPERATURE : -40° C TO 70° C.
- Material:
 - Housing: Thermoplastic UL94V-0, PBT White (ROHS).
 - Contact: T=0.35mm, Phosphor Bronze C5210 (ROHS).
- Soldering Temperature: 260±5°C, 5sec/95% Area be covered.
- Withstand Temperature: 230±5°C, 5sec No stick tin melting phenomenon.



RECOMMENDED PCB LAYOUT (TOP VIEW)
TOLERANCE: ±0.05
Plastic NO PATTERN AREA

产品客户图 Customer Drw	
未注公差 TOLERANCE UNLESS OTHERWISE SPECIFIED	.X ±0.35 .XX ±0.25 .XXX ±0.15 X° ±2°

GLGNET® 深圳市方向电子股份有限公司
SHEN ZHEN GLGNET ELECTRONICS CO.,LTD.

比例 SCALE	1:1	角法 PROJ.	设计 DESIGN	品名 TITLE	5631-Q-1X4-8C-8A
张数 SHEET	1/1	大小 SIZE	校对 CHECKED	料号 ITEM NO.	41320-00XXX1
单位 UNIT	mm	版本 REV.	核准 APPROVED	图号 DWG NO.	GLG-110739