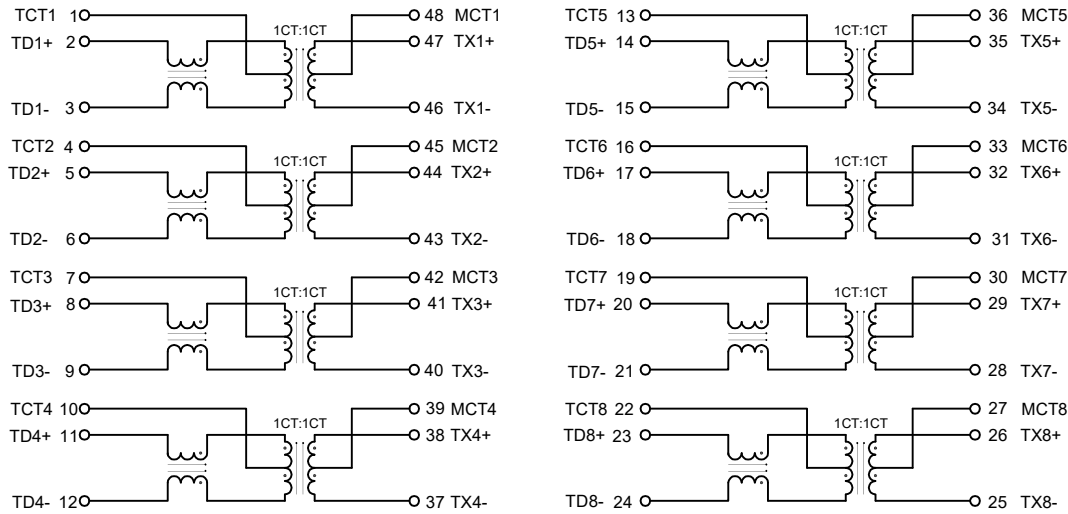


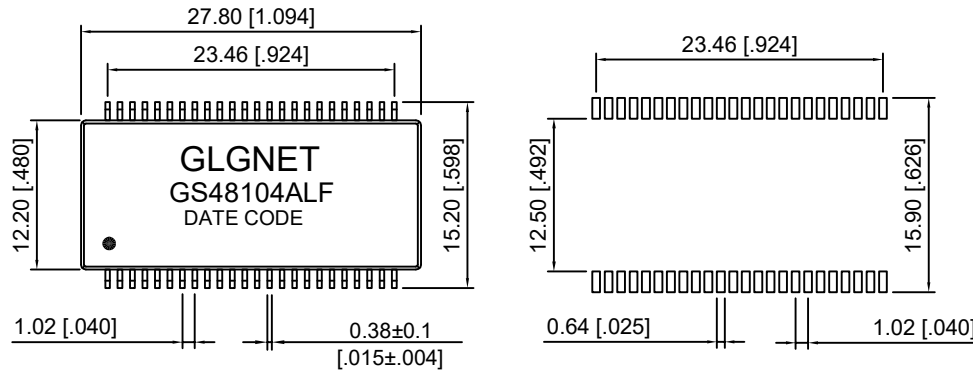
Schematic



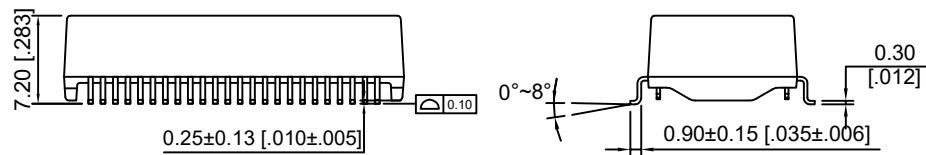
NO.	ECN NO.	DESCRIPTION	REV.	DRAW	DATE
1					
2					
3					

PARAMETER	SPECIFICATIONS
OPERATING TEMPERATURE	-0°C To +70°C
STORAGE TEMPERATURE	-25°C To +125°C
TURNS RATIO	1:1±5%
OPEN CIRCUIT INDUCTANCE(OCL)	350uH MIN@100KHz/100mV With 8mA DC Bias For (CHANNEL 1,2,3,4)
INSERTION LOSS(IL)	-1.0dB MAX@1MHz-100MHz;
RETURN LOSS(RL) (Z out=100 OHM)	-18dB MIN@1MHz-30MHz; -16dB MIN@30-60MHz; -12dB MIN@60-80MHz; -10dB MIN@80MHz-100MHz;
CROSSTALK (ADJACENT CHANNELS)	-30dB MIN@1-100MHz;
(DCMR)	-40dB MIN@30MHz; -35dB MIN@60MHz; -30dB MIN@100MHz;
HI-POT	1500Vrms
STANDARD	Designed to meet IEEE802.3ab Requirement

Mechanical



SUGGESTED PAD LAYOUT



产品客户图 Customer Drw		GLGNET® 方向电子					
未注公差 TOLERANCE UNLESS OTHERWISE SPECIFIED	0.XX	±0.10	Description 1000 BASE-T Ethernet Isolation Transformer 48PIN SMD PROFILE PACKAGE				
	X.XX	±0.25					
	XX.XX	±0.25					
	X°	±2°					
比例 SCALE	1:1	角法 PROJ.	设计 DESIGN	Jockey-luo	2021.09.04	品名 TITLE	GS48104ALF
张数 SHEET	1/1	大小 SIZE	A4	校对 CHECKED	Jockey-luo	2021.09.04	料号 ITEM NO.
单位 UNIT	mm	版本 REV.	A0	核准 APPROVED	BLUSE.BAI	2021.09.04	图号 DWG NO.