

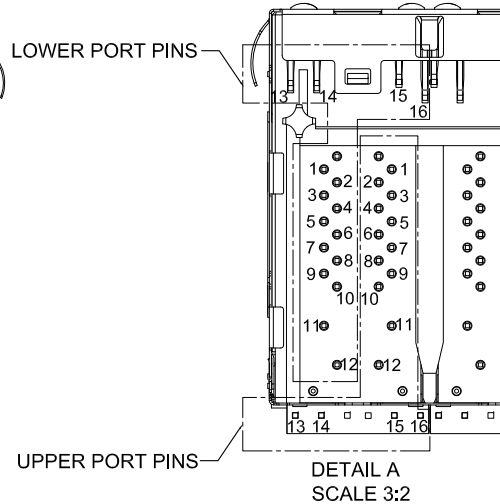
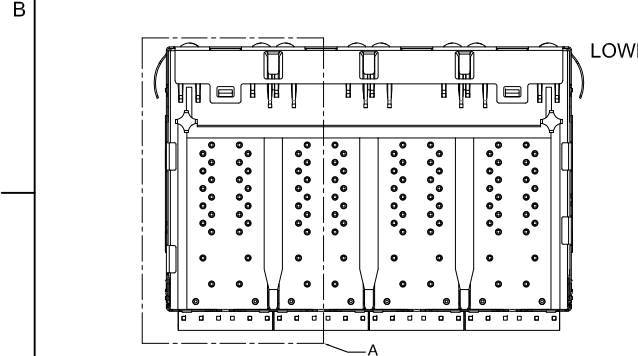
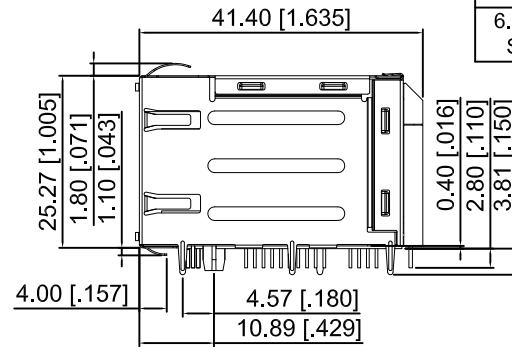
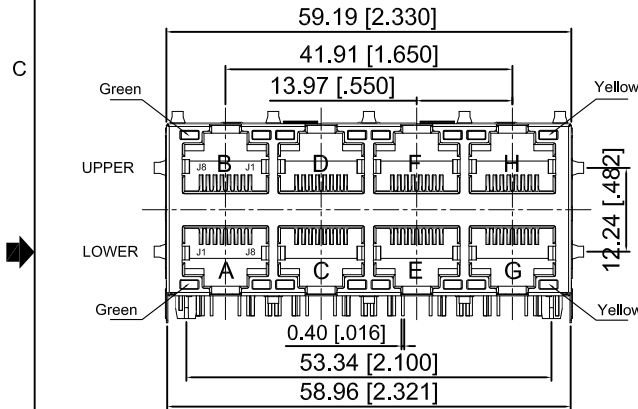
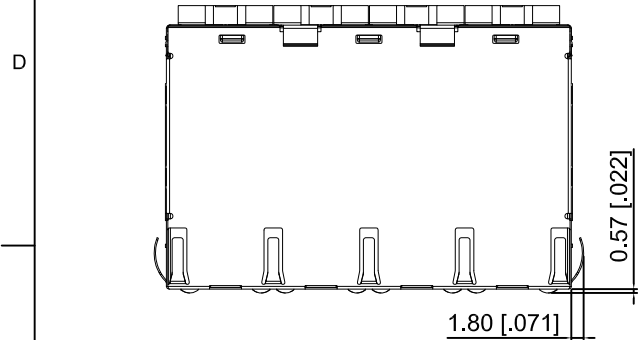
# Mechanical

| NO. | ECN NO. | DESCRIPTION | REV. | DRAW | DATE |
|-----|---------|-------------|------|------|------|
|     |         |             |      |      |      |
|     |         |             |      |      |      |

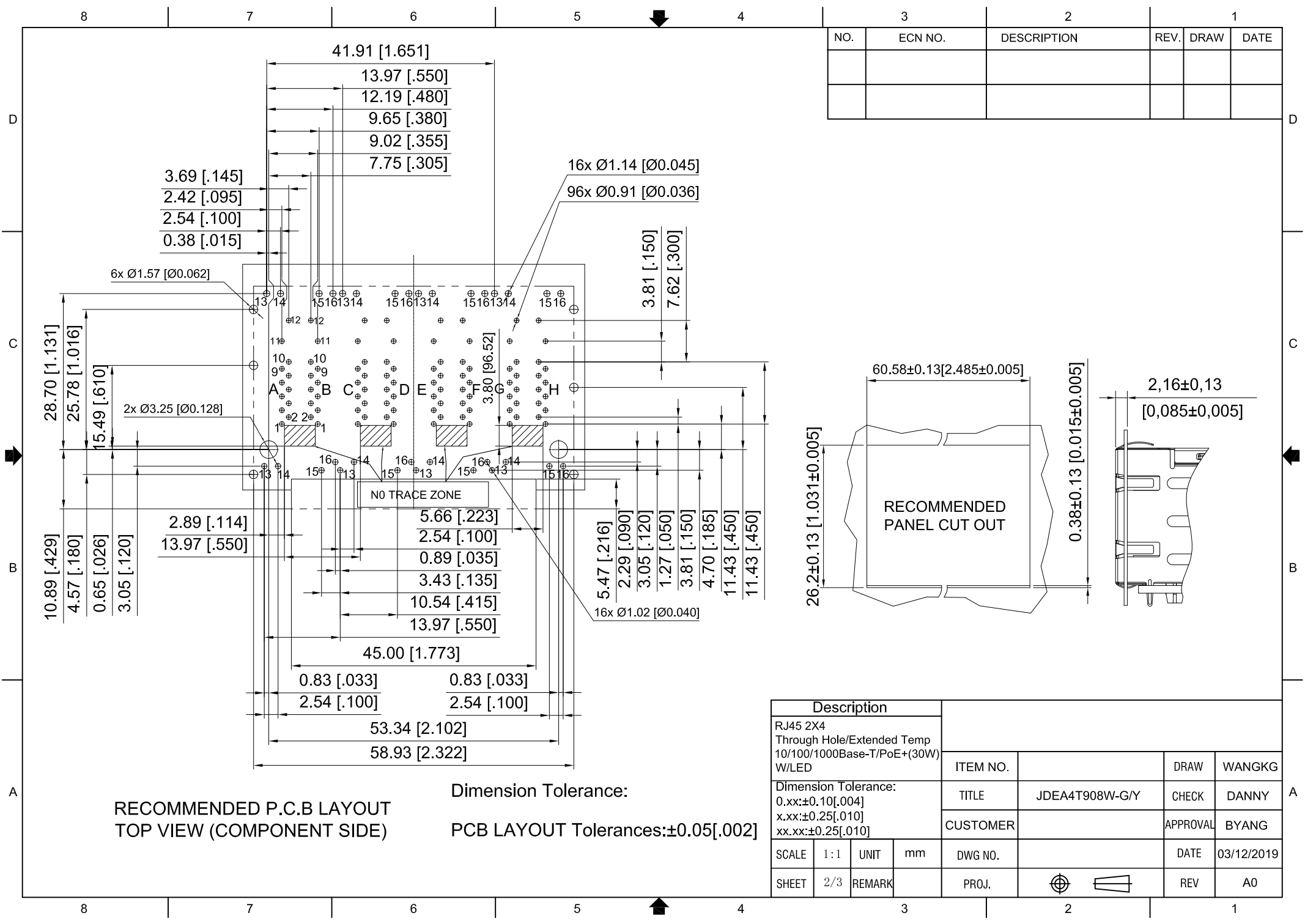
| GoldPlating | Option                              |
|-------------|-------------------------------------|
| 1.8μ"       | <input type="checkbox"/>            |
| 3μ"         | <input type="checkbox"/>            |
| 6μ"         | <input type="checkbox"/>            |
| 15μ"        | <input type="checkbox"/>            |
| 30μ"        | <input checked="" type="checkbox"/> |
| 50μ"        | <input type="checkbox"/>            |

## MATERIALS

- HOUSING: GLASS FILLED PA46(BLACK) UL94V-0(ROHS)
- CONTACT: PHOSPHOR BRONZE, 50-100 MICROINCHES MIN. OVERALL DUCTILE NICKEL UNDERPLATE WITH SELECTED 30 MICROINCHES GOLD AT MATING INTERFACE
- SHIELD: 0.2mm THICKNESS WITH BRASS.
- JACK CAVITY CONFORMS TO FCC RULES AND REGULATIONS PART 68 SUBPART F
- THE PART IS RECOMMENDED FOR WAVE SOLDERING PROCESS PEAK SOLDERING TEMPERATURE IS 260°C MAX, 10 SECS MAX.
- OPERATING TEMPERATURE: -40°C TO +85°C.  
STORAGE TEMPERATURE: -40°C TO +85°C.



| Description   |     |        |    | ITEM NO. | DRAW           | WANGKG          |
|---|-----|--------|----|----------|----------------|-----------------|
| RJ45 2X4<br>Through Hole/Extended Temp<br>10/100/1000Base-T/PoE+(30W)<br>W/LED    |     |        |    |          |                |                 |
| Dimension Tolerance:<br>0.xx:±0.10[.004]<br>x.xx:±0.25[.010]<br>xx.xx:±0.25[.010] |     |        |    | TITLE    | JDEA4T908W-G/Y | CHECK DANNY     |
|   |     |        |    | CUSTOMER |                | APPROVAL BYANG  |
| SCALE   | 1:1 | UNIT   | mm | DWG NO.  |                | DATE 03/12/2019 |
| SHEET   | 1/3 | REMARK |    | PROJ.    |                | REV A0          |



| NO. | ECN NO. | DESCRIPTION | REV. | DRAW | DATE |
|-----|---------|-------------|------|------|------|
|     |         |             |      |      |      |
|     |         |             |      |      |      |

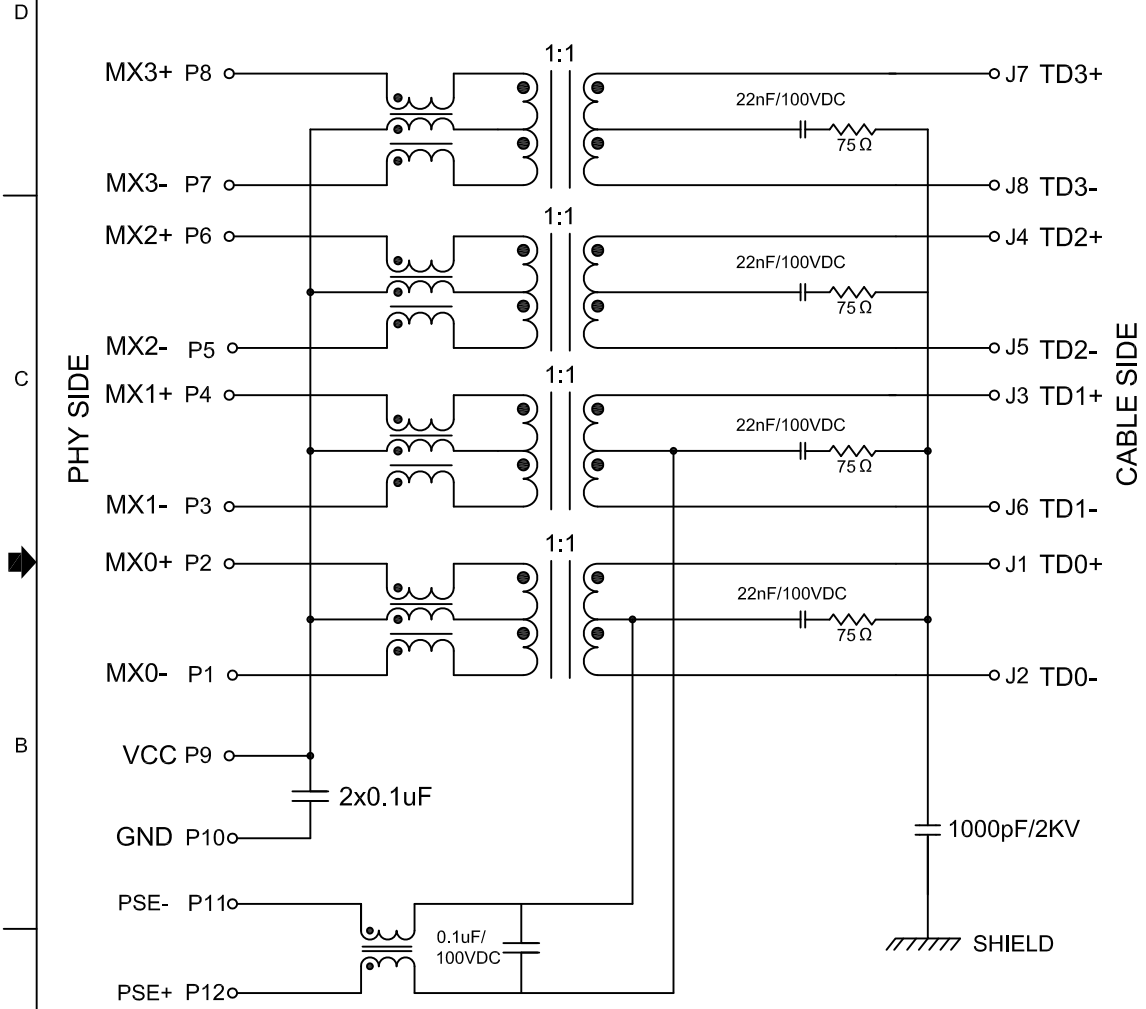
RECOMMENDED P.C.B LAYOUT  
TOP VIEW (COMPONENT SIDE)

Dimension Tolerance:  
PCB LAYOUT Tolerances:±0.05[.002]

| Description   |  |         |  | ITEM NO. |  | DRAW            |  |
|---|--|---------|--|----------|--|-----------------|--|
| RJ45 2X4<br>Through Hole/Extended Temp<br>10/100/1000Base-T/PoE+(30W)<br>W/LED    |  |         |  |          |  | WANGKG          |  |
| Dimension Tolerance:<br>0.xx:±0.10[.004]<br>x.xx:±0.25[.010]<br>xx.xx:±0.25[.010] |  |         |  | TITLE    |  | JDEA4T908W-G/Y  |  |
|   |  |         |  | CUSTOMER |  | APPROVAL        |  |
| SCALE 1:1   |  | UNIT mm |  | DWG NO.  |  | DATE 03/12/2019 |  |
| SHEET 2/3   |  | REMARK  |  | PROJ.    |  | REV A0          |  |

# Schematic

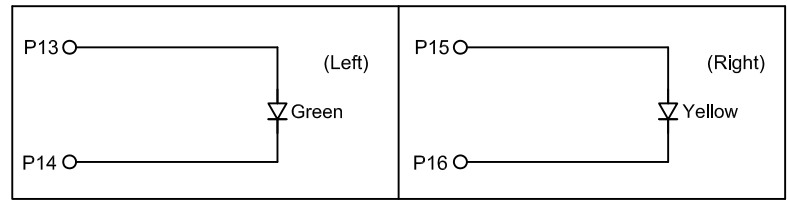
| NO. | ECN NO. | DESCRIPTION | REV. | DRAW | DATE |
|-----|---------|-------------|------|------|------|
|     |         |             |      |      |      |
|     |         |             |      |      |      |



| PARAMETER                             | SPECIFICATIONS  |
|---------------------------------------|---|
| OPERATING TEMPERATURE                 | -40°C To +85°C  |
| TURNS RATIO                           | 1:1±2%  |
| OPEN CIRCUIT INDUCTANCE(OCL)          | 220uH MIN@100KHz/100mV With 19mA DC Bias For(CHANNEL1,2)<br>350uH MIN@100KHz/100mV With 8mA DC Bias For(CHANNEL3,4) |
| INSERTION LOSS(IL)                    | -1.1dB MAX@0.3MHz-100MHz;   |
| RETURN LOSS(RL)<br>(Z out=100 OHM)    | -18dB MIN@1MHz-30MHz; -13dB MIN@30MHz-60MHz;<br>-10dB MIN@60MHz-100MHz;   |
| CROSSTALK<br>(ADJACENT CHANNELS)      | -30dB MIN@1MHz-100MHz;  |
| COMMON MODE REJECTION<br>RATIO(CMRR)  | -30dB MIN@1MHz-100MHz;  |
| DC CURRENT/VOLTAGE<br>RATING-PSE PINS | 720mA MAXIMUM@57VDC(CONTINUOUS)   |
| HI-POT                                | 2250 VDC@60 SECONDS   |

| LED SPECIFICATION |            |                |      |
|-------------------|------------|----------------|------|
| STANDARD LED      | WAVELENGTH | Forward V(max) | TYP  |
| GREEN             | 565nm      | 2.4V           | 2.2V |
| YELLOW            | 590nm      | 2.5V           | 2.1V |

\*WITH A FORWARD CURRENT OF 20mA



| Description   |     |        |    | ITEM NO. |  | DRAW           |  | WANGKQ   |  |            |  |
|---|-----|--------|----|----------|--|----------------|--|----------|--|------------|--|
| RJ45 2X4<br>ThroughHole/Extended Temp<br>10/100/1000Base-T/PoE+(30W)<br>W/LED     |     |        |    |          |  |                |  |          |  |            |  |
| Dimension Tolerance:<br>0.xx:±0.10[.004]<br>x.xx:±0.25[.010]<br>xx.xx:±0.25[.010] |     |        |    | TITLE    |  | JDEA4T908W-G/Y |  | CHECK    |  | DANNY      |  |
|   |     |        |    | CUSTOMER |  |                |  | APPROVAL |  | BYANG      |  |
| SCALE   | 1:1 | UNIT   | mm | DWG NO.  |  |                |  | DATE     |  | 03/12/2019 |  |
| SHEET   | 3/3 | REMARK |    | PROJ.    |  |                |  | REV      |  | A0         |  |