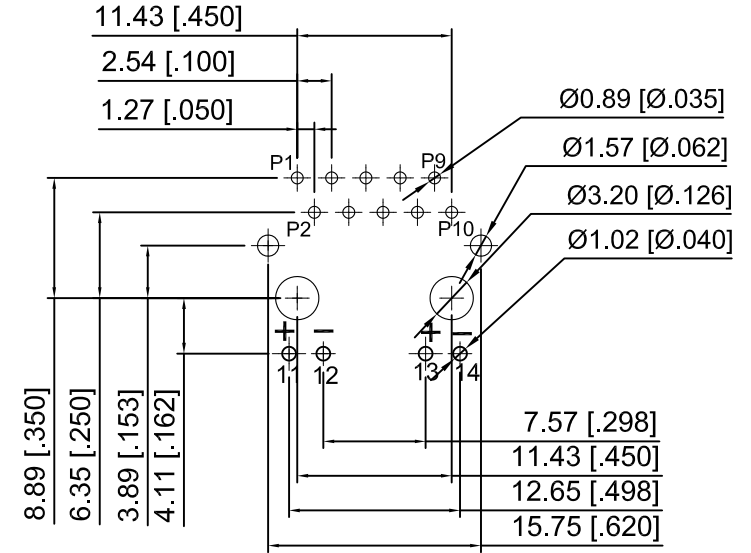
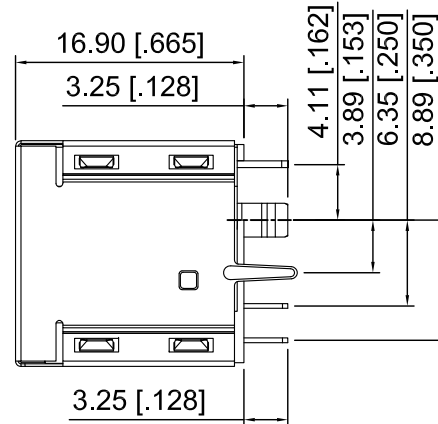
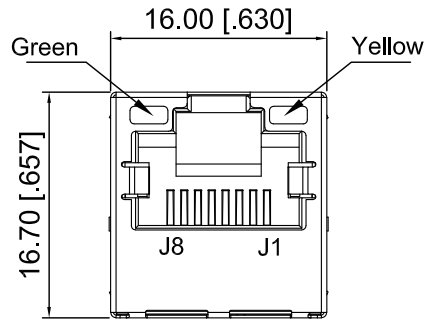


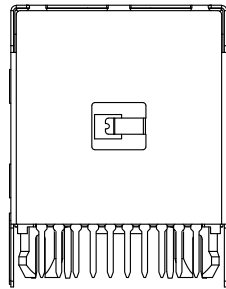
# Mechanical

NO.	ECN NO.	DESCRIPTION	REV.	DRAW	DATE
1					
2					
3					

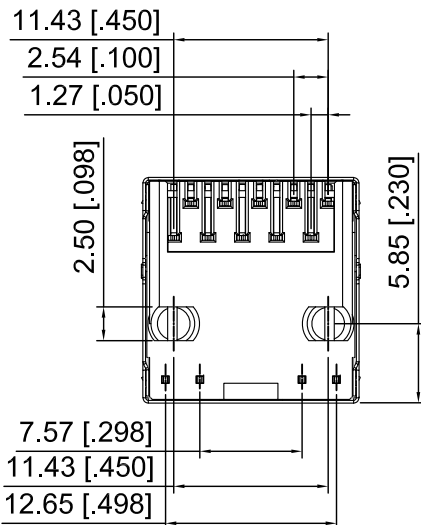


RECOMMENDED P.C.B LAYOUT  
TOP VIEW (COMPONENT SIDE)

Dimension Tolerances:  
PCB LAYOUT  
Tolerances:±0.05[.002]



GoldPlating	Option
GF	<input type="checkbox"/>
3μ"	<input type="checkbox"/>
6μ"	<input checked="" type="checkbox"/>
15μ"	<input type="checkbox"/>
30μ"	<input type="checkbox"/>
50μ"	<input type="checkbox"/>



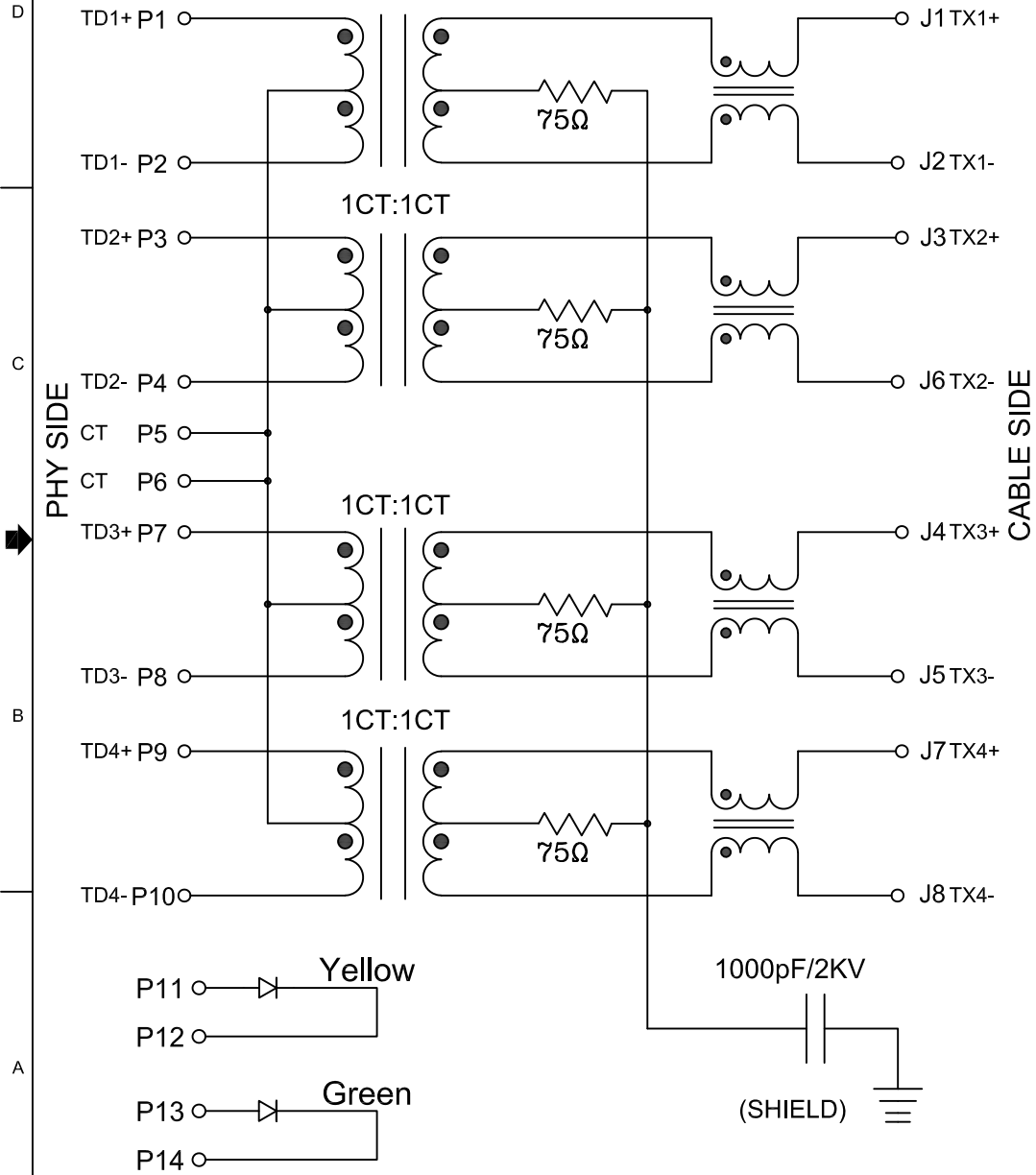
## MATERIALS

- HOUSING:GLASS FILLED PA46(BLACK) UL94V-0(ROHS)
- CONTACT: PHOSPHOR BRONZE,50-100 MICRINCHES MIN. OVERALL DUCTILE NICKEL UNDERPLATE WITH SELECTED 6U" GOLD AT MATING INTERFACE
- SHIELD:0.2mm THICKNESS WITH BRASS.
- JACK CAVITY CONFORMS TO FCC RULES AND REGULATIONS PART 68 SUBPART F
- THE PART IS RECOMMENDED FOR WAVE SOLDERING PROCESS PEAK SOLDERING TEMPERATURE IS 260°C MAX,10 SECS MAX.
- OPERATING TEMPERATURE:0°C TO +70°C.  
STORAGE TEMPERATURE:-40°C TO +85°C.

产品客户图 Customer Drw		未注公差 TOLERANCE UNLESS OTHERWISE SPECIFIED		Description		品名 TITLE	
0.XX	±0.10	X.XX	±0.25	RJ45 1X1 Vertical/Through Hole 1000Base-T W/LED		JHLA1S802-Y/GP	
XX.XX	±0.25	X°	±2°	设计 DESIGN	WANGKG	2021.09.07	料号 ITEM NO.
比例 SCALE	1:1	角法 PROJ.		校对 CHECKED	DANNY	2021.09.07	图号 DWG NO.
张数 SHEET	1/2	大小 SIZE	A4	核准 APPROVED	BYANG	2021.09.07	
单位 UNIT	mm	版本 REV.	A0				

**GLGNET**® 深圳市方向电子股份有限公司  
SHEN ZHEN GLGNET ELECTRONICS CO., LTD.

# Schematic



NO.	ECN NO.	DESCRIPTION	REV.	DRAW	DATE
1					
2					
3					

PARAMETER	SPECIFICATIONS
OPERATING TEMPERATURE	0°C To +70°C
TURNS RATIO	1:1±2%
INDUCTANCE(OCL)	350uH MIN@100KHz/100mV With 8mA DC Bias
INSERTION LOSS	-1.0dB MAX@1MHz-100MHz;
RETURN LOSS (Z out=100 OHM)	-18dB MIN@1MHz-30MHz; -16dB MIN@30MHz-60MHz; -12dB MIN@60MHz-80MHz; -10dB MIN@80MHz-100MHz;
CROSSTALK (ADJACENT CHANNELS)	-30dB MIN@1MHz-100MHz;
COMMON MODE REJECTION RATIO	-30dB MIN@1MHz-100MHz;
HI-POT	2250 VDC@60 SECONDS

LED SPECIFICATION			
STANDARD LED	WAVELENGTH	Farward V(max)	TYP
GREEN	565nm	2.4V	2.2V
YELLOW	590nm	2.5V	2.1V

\*WITH A FORWARD CURRENT OF 20mA

产品客户图		Customer Drw		GLGNET® 深圳市方向电子股份有限公司			
未注公差	0.XX ±0.10			SHEN ZHEN GLGNET ELECTRONICS CO., LTD.			
TOLERANCE	X.XX ±0.25						
UNLESS	XX.XX ±0.25						
OTHERWISE	X° ±2°						
SPECIFIED				Description RJ45 1X1 Vertical/Through Hole 1000Base-T W/LED			
比例	1:1	角法	设计	WANGKG	2021.09.07	品名	JHLA1S802-Y/GP
SCALE		PROJ.	DESIGN			TITLE	
张数	2/2	大小	校对	DANNY	2021.09.07	料号	
SHEET		SIZE	CHECKED			ITEM NO.	
单位	mm	版本	核准	BYANG	2021.09.07	图号	
UNIT		REV.	APPROVED			DWG NO.	