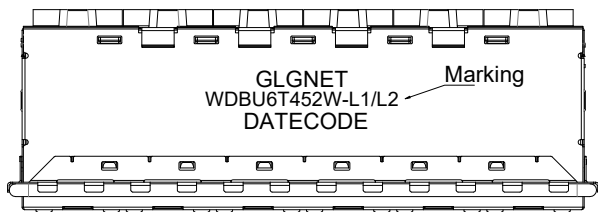
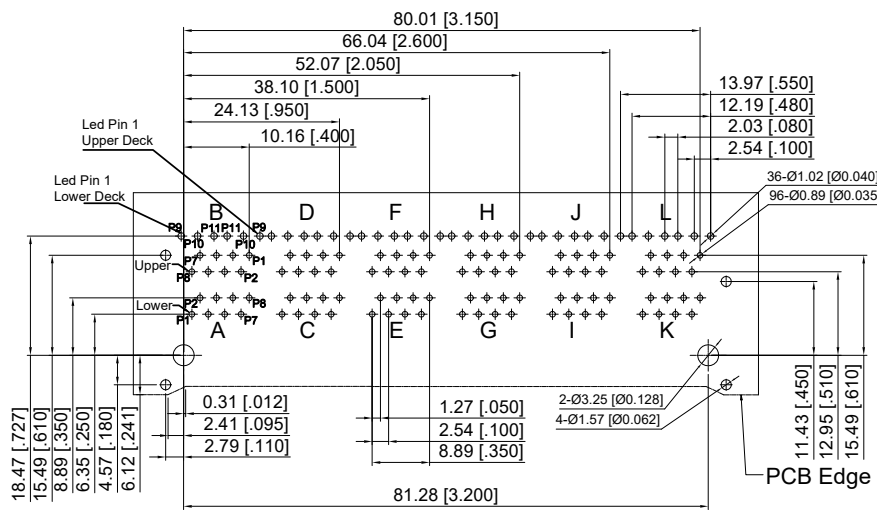
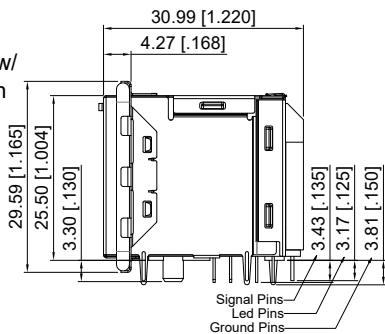
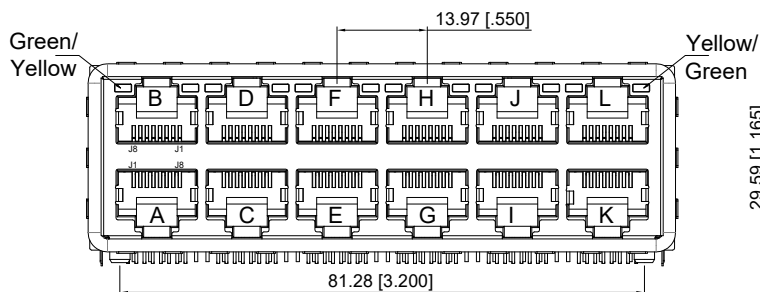


Mechanical

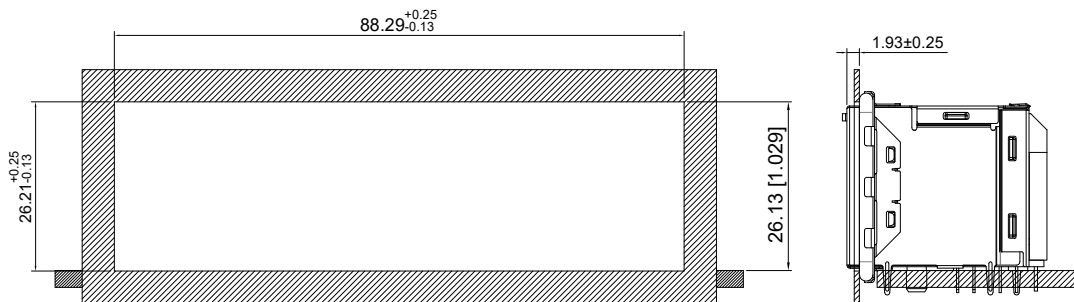
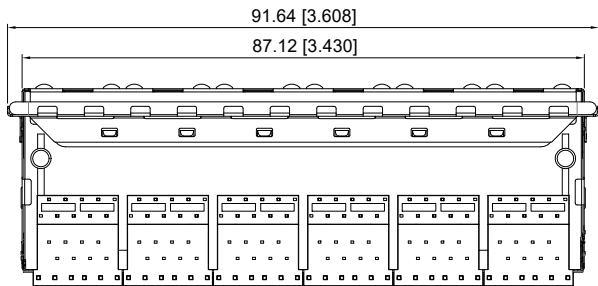
NO.	ECN NO.	DESCRIPTION	REV.	DRAW	DATE
1					
2					
3					



GoldPlating	Option
1.8μ"	<input type="checkbox"/>
3μ"	<input type="checkbox"/>
6μ"	<input type="checkbox"/>
15μ"	<input type="checkbox"/>
30μ"	<input checked="" type="checkbox"/>
50μ"	<input type="checkbox"/>



RECOMMENDED P.C.B LAYOUT TOP VIEW (COMPONENT SIDE) Dimension Tolerance: PCB LAYOUT Tolerances:±0.05[.002]



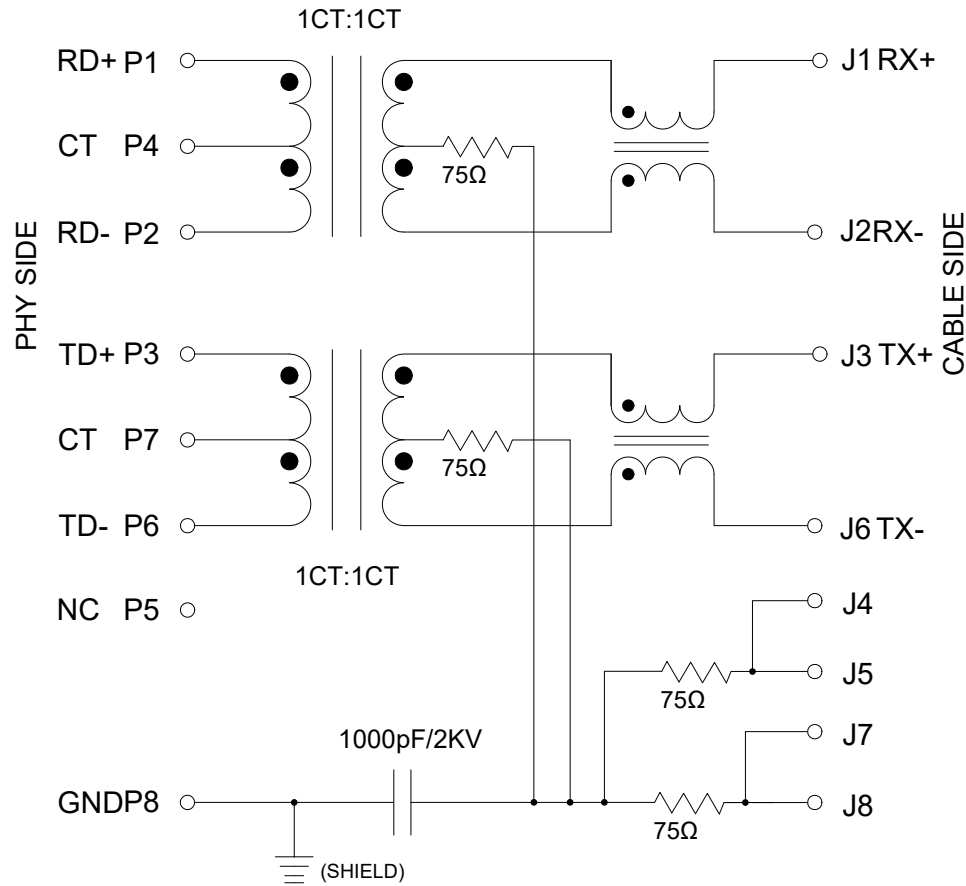
MATERIALS

- HOUSING: GLASS FILLED PA46 (BLACK) UL94V-0 (ROHS)
- CONTACT: PHOSPHOR BRONZE, 50-100 MICRONS MIN. OVERALL DUCTILE NICKEL UNDERPLATE WITH SELECTED 30 MICRONS GOLD AT MATING INTERFACE
- SHIELD: 0.2mm THICKNESS WITH BRASS.
- JACK CAVITY CONFORMS TO FCC RULES AND REGULATIONS PART 68 SUBPART F
- THE PART IS RECOMMENDED FOR WAVE SOLDERING PROCESS PEAK SOLDERING TEMPERATURE IS 260°C MAX, 10 SECS MAX.
- OPERATING TEMPERATURE: -40°C TO +85°C. STORAGE TEMPERATURE: -40°C TO +85°C.

产品客户图 Customer Drw				GLGNET® 深圳市方向电子股份有限公司 SHEN ZHEN GLGNET ELECTRONICS CO., LTD.			
未注公差	0.XX	±0.10	TOLERANCE UNLESS OTHERWISE SPECIFIED	X° ±2°	Description	RJ45 2X6/Through Hole 10/100Base-T W/LED(Upper)	
	X.XX	±0.25				品名	JDBU6T452W-L1/L2
	XX.XX	±0.25				客户	WDBU6T452W-L1/L2
比例 SCALE	1:1	角法 PROJ.	设计 DESIGN	WANGKG	2022.04.22	料号 ITEM NO.	
张数 SHEET	1/2	大小 SIZE	校对 CHECKED	DANNY	2022.04.22	图号 DWG NO.	
单位 UNIT	mm	版本 REV.	核准 APPROVED	BYANG	2022.04.22		

Schematic

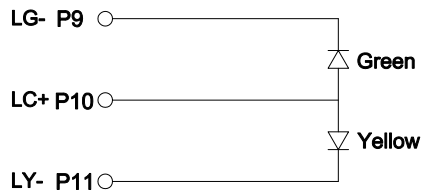
NO.	ECN NO.	DESCRIPTION	REV.	DRAW	DATE
1					
2					
3					



PARAMETER	SPECIFICATIONS
OPERATING TEMPERATURE	-40°C To +85°C
TURNS RATIO	1:1±2%
INDUCTANCE(OCL)	350uH MIN@100KHz/100mV With 8mA DC Bias
INSERTION LOSS	-1.0dB MAX@0.3MHz-100MHz;
RETURN LOSS (Z out=100 OHM)	-18dB MIN@1MHz-30MHz; -16dB MIN@30MHz-60MHz; -12dB MIN@60MHz-80MHz;-10dB MIN@80MHz-100MHz;
CROSSTALK (ADJACENT CHANNELS)	-30dB MIN@1-100MHz;
COMMON MODE REJECTION RATIO	-30dB MIN@1-100MHz;
HI-POT	PRI-SEC:2250 VDC@60 SECONDS PORTA,C,E,G,I,K TO PORTB,D,F,H,J,L:2250VDC@60 SECONDS

LED SPECIFICATION			
STANDARD LED	WAVELENGTH	Farward V(max)	TYP
GREEN	570nm	2.4V	2.2V
YELLOW	590nm	2.5V	2.1V

*WITH A FORWARD CURRENT OF 20mA



产品客户图 Customer Drw				GLGNET® 深圳市方向电子股份有限公司 SHEN ZHEN GLGNET ELECTRONICS CO., LTD.			
未注公差 TOLERANCE UNLESS OTHERWISE SPECIFIED	0.XX ±0.10 X.XX ±0.25 XX.XX ±0.25 X° ±2°	Description		RJ45 2X6/Through Hole 10/100Base-T W/LED(Upper)			
比例 SCALE	1:1	角法 PROJ.	设计 DESIGN	WANGKG	2022.04.22	品名 客户	JDBU6T452W-L1/L2 WDBU6T452W-L1/L2
张数 SHEET	2/2	大小 SIZE	A4	校对 CHECKED	DANNY	2022.04.22	料号 ITEM NO.
单位 UNIT	mm	版本 REV.	A0	核准 APPROVED	BYANG	2022.04.22	图号 DWG NO.