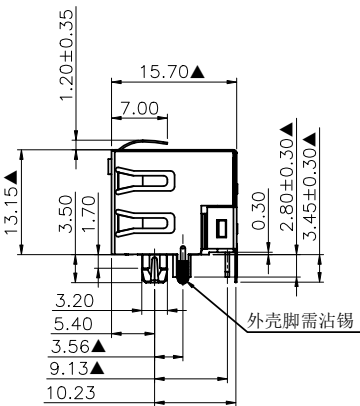
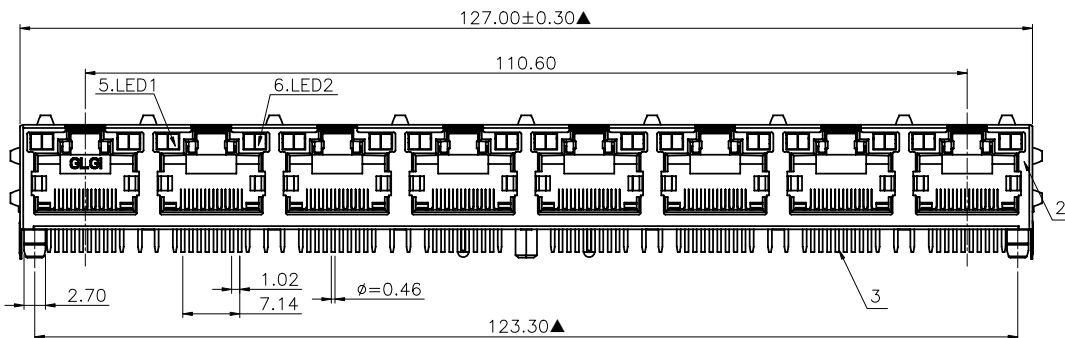
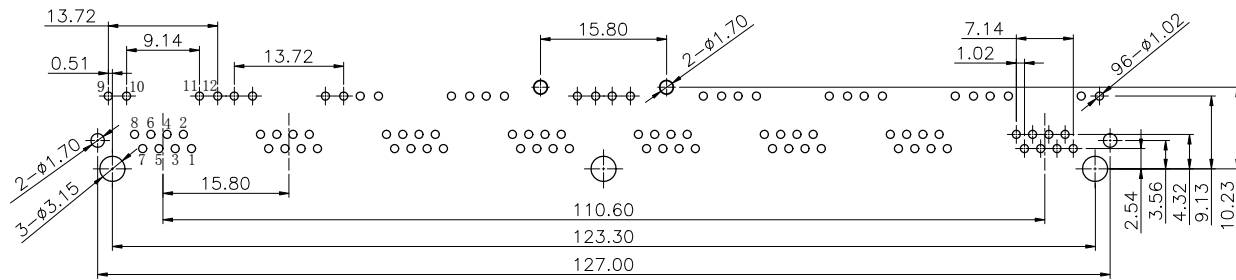
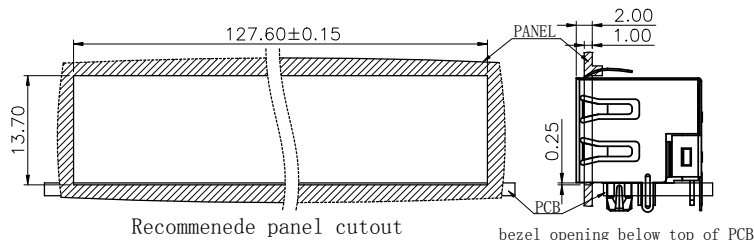
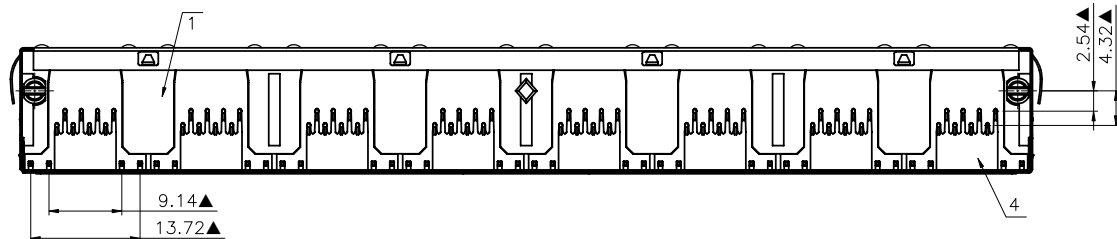


| NO. | ECN NO. | DESCRIPTION | REV. | DRAW | DATE |
|-----|---------|-------------|------|------|------|
| 1 | | | | | |
| 2 | | | | | |



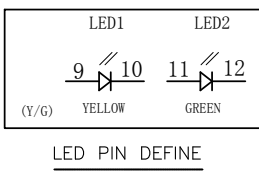
42900-0 1 G X X 1
规格流水码

电镀代码
05-G/F
11-3u"
15-6u"
19-15u"
23-30u"
24-50u"



RECOMMENDED P.C.B LAYOUT
TOP VIEW (COMPONENT SIDE)
TOLERANCE±0.05

- MATERIALS:
- Housing: Glass Filled PA46 Black UL94V-0.
 - Shielding: 0.20mm Thickness Copper Alloy with Nickel Plated.
 - Contact: C51000 ϕ 0.46mm 镀金, 镍底50-100u". (ROHS)
 - Insert: Glass Filled PBT UL94V-0
 - LED1 YELLOW (RoHS);
 - LED2 GREEN (RoHS);
- ※MATES WITH MODULAR PLUG CONFORMING TO FCC PART 68, SUBPART F.
※The Dimensions Marked "▲" Symbols Are Stand For Key Characteristics.



| 产品检验图 Customer Drw | | GLGNET® 深圳市方向电子股份有限公司 SHEN ZHEN GLGNET ELECTRONICS CO., LTD. | | | |
|---|---|---|------------|--|--------------------------|
| 未注公差 TOLERANCE UNLESS OTHERWISE SPECIFIED | .X ±0.35 .XX ±0.25 .XXX ±0.15 X° ±2° | 设计 DESIGN | 品名 TITLE | 5631-S-F-K13-1x8-L -8C-II-6A-01 (Y/G) | |
| 比例 SCALE | 1:1 | 角法 PROJ. | 校对 CHECKED | 料号 ITEM NO. | 42900-01GXX1 |
| 张数 SHEET | 1/1 | 大小 SIZE | A4 | 图号 DWG NO. | GLG-WL-515 GLG-110532 |
| 单位 UNIT | mm | 版本 REV. | A1 | 核准 APPROVED | |