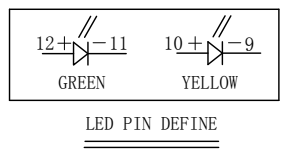
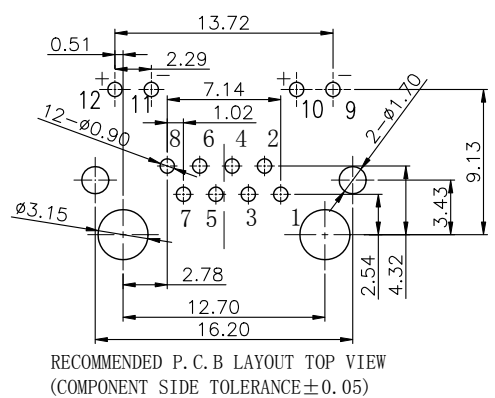
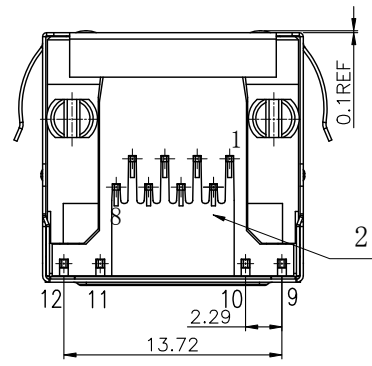
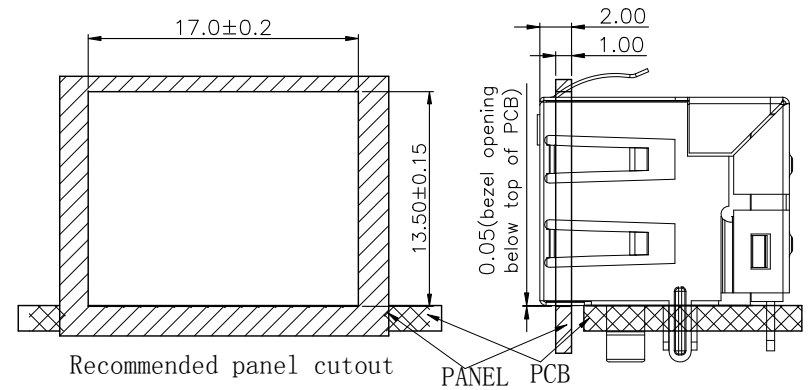
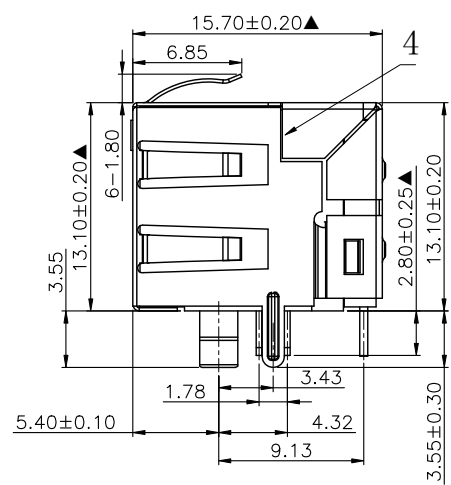
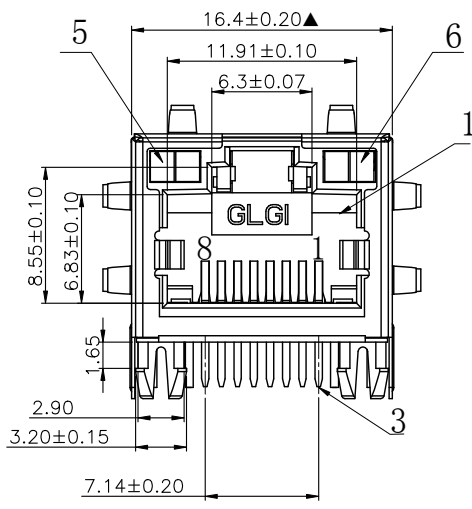


NO.	ECN NO.	DESCRIPTION	REV.	DRAW	DATE



42017-XX X X X 1

规格流水码

电镀规格

S 半金亮锡

M 半金雾锡

电镀代码

-05-1u"

-09-2u"

-11-3u"

-15-6u"

-19-15u"

-23-30u"

-24-50u"

NOTE:

- Housing: Glass Filled PA46 BLACK UL94V-0 (ROHS).
- Insert: Glass Filled PBT BLACK UL94V-0 (ROHS).
- Contact: 0.35x0.46 Phosphor Bronze gold Plating Over Nickel (ROHS).
- SHELL: 0.2mm Thickness Copper Alloy with Nickel Plated (ROHS).
- Led1: GREEN (ROHS).
- Led2: YELLOW (ROHS).
- The product is suitable for wave soldering process.

※MATES WITH MODULAR PLUG CONFORMING TO FCC PART 68, SUBPART F.

※The Dimensions Marked "▲" Symbols Are Stand For Key Characteristics.

产品客户图 Customer Drw		.X ±0.35		设计 DESIGN		品名 TITLE	
未注公差 TOLERANCE UNLESS OTHERWISE SPECIFIED	.XX	±0.25		角法 PROJ.	校对 CHECKED	图号 DWG NO.	5631-Q-S-K6-L-8C-6A (G/Y)
	.XXX	±0.15					
	X°	±2°					
比例 SCALE	1:1	大小 SIZE	A4	版本 REV.	G4	核准 APPROVED	
张数 SHEET	1/1	单位 UNIT	mm	图号 DWG NO.	GLG-110425 GLG-WL-360	料号 ITEM NO.	42017-00XXX1

GLGNET® 深圳市方向电子股份有限公司
Shenzhen GLGNET Electronics Co.,LTD.