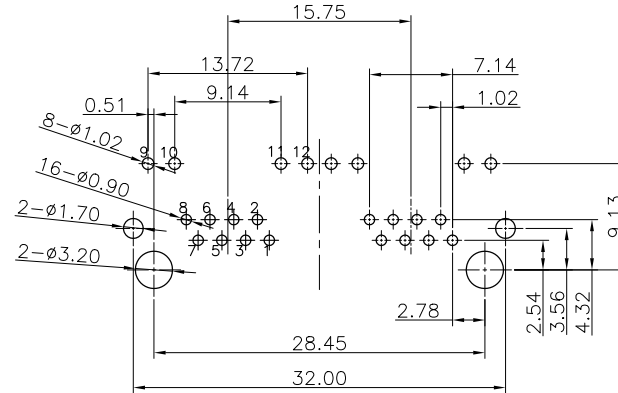
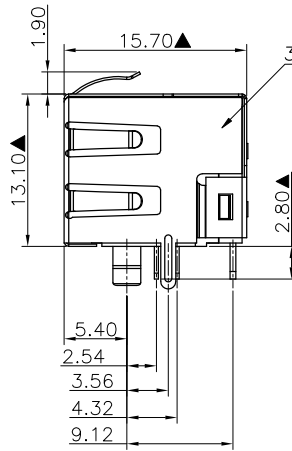
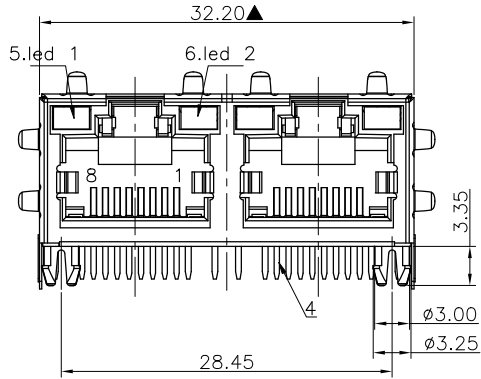
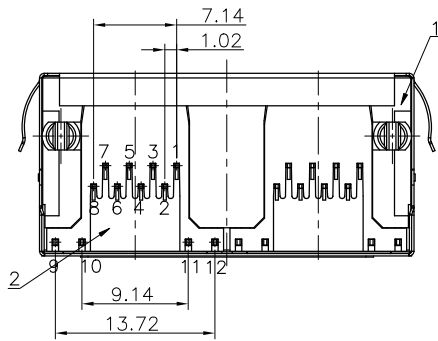


NO.	ECN NO.	DESCRIPTION	REV.	DRAW	DATE
1.					
2.					
3.					

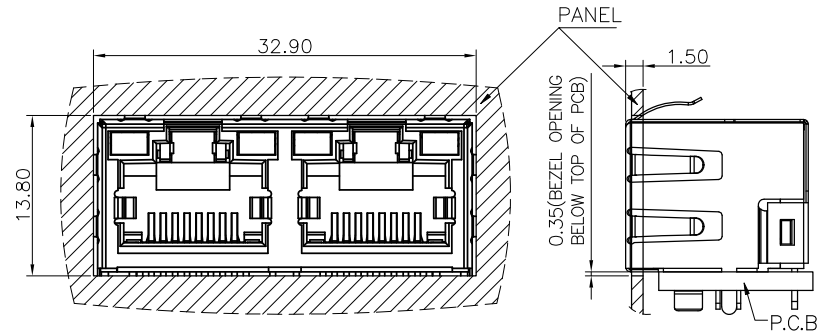


RECOMMENDED P. C. B LAYOUT TOP VIEW
(COMPONENT SIDE) TOLERANCE±0.05

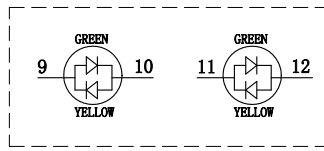


42056-01 X X X 1

规格流水码	电镀代码
电镀规格	06-G/F
S 半金亮锡	11-3u"
M 半金雾锡	15-6u"
	19-15u"
	23-30u"



RECOMMENDED PANEL CUTOUT



LED PIN DEFINE

NOTE:

- HOUSING:GLASS FILLED PA46 BLACK UL94V-0 (ROHS).
 - INSERT:GLASS FILLED PBT BLACK UL94V-0 (ROHS).
 - SHIELDING:0.20MM THICKNESS COPPER ALLOY WITH NICKEL PLATED (ROHS).
 - CONTACT:0.35X0.46 PHOSPHOR BRONZE GOLD PLATING OVER NICKEL (ROHS).
 - LED1:GREEN/YELLOW 平头灯 (ROHS).
 - LED2:GREEN/YELLOW 平头灯 (ROHS).
- ※MATES WITH MODULAR PLUG CONFORMING TO FCC PART 68, SUBPART F.
※The Dimensions Marked "▲" Symbols Are Stand For Key Characteristics.

产品客户图 Customer Drw

未注公差	.X	±0.35
TOLERANCE	.XX	±0.25
UNLESS OTHERWISE SPECIFIED	.XXX	±0.15
	X°	±2°

GLGNET® 深圳市方向电子股份有限公司
SHEN ZHEN GLGNET ELECTRONICS CO.,LTD.

比例 SCALE	1:1	角法 PROJ.	设计 DESIGN	品名 TITLE	5631-Q-S-K8-F-1x2 -L-8C-6A-01 (GY/GY)
张数 SHEET	1/1	大小 SIZE	校对 CHECKED	料号 ITEM NO.	42056-01XXX1
单位 UNIT	mm	版本 REV.	核准 APPROVED	图号 DWG NO.	GLG-WL-364