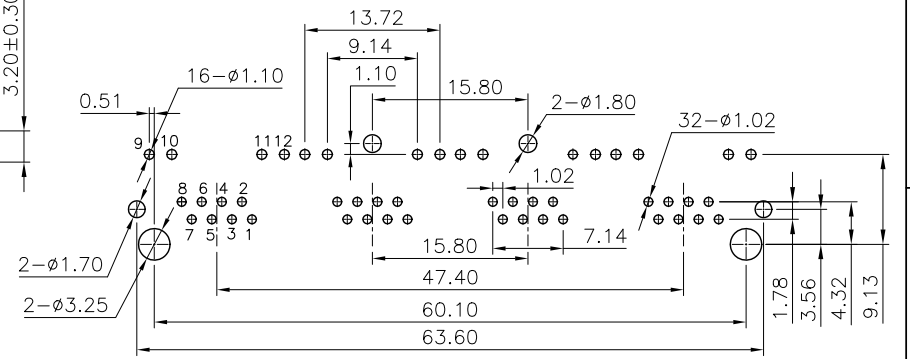
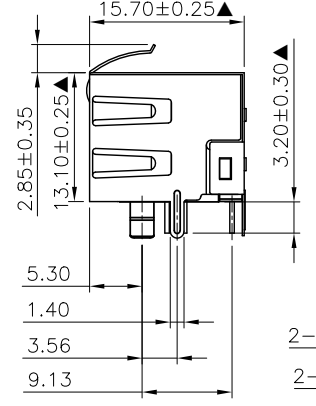
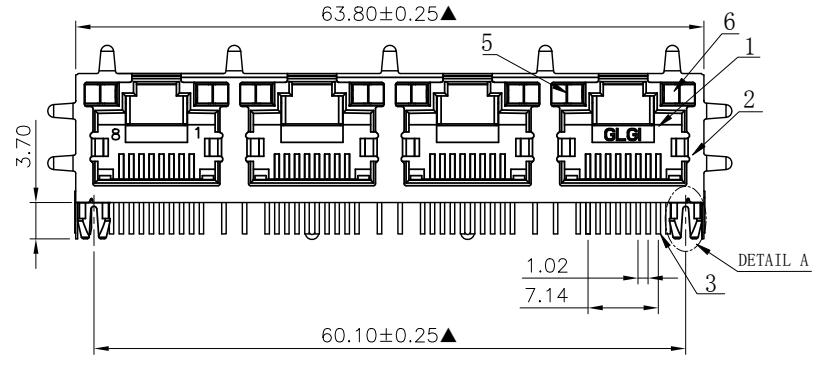
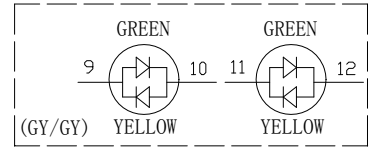
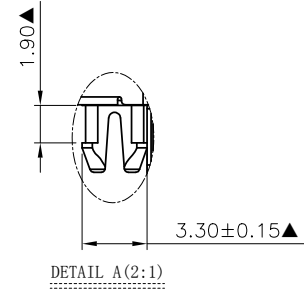
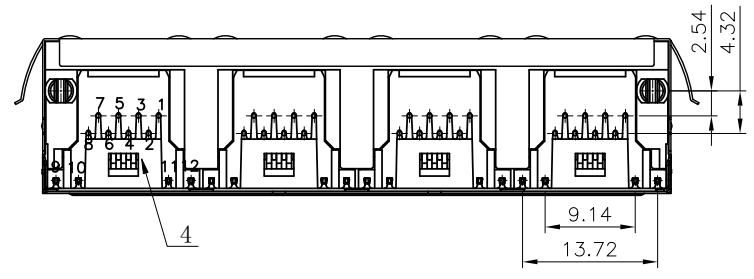


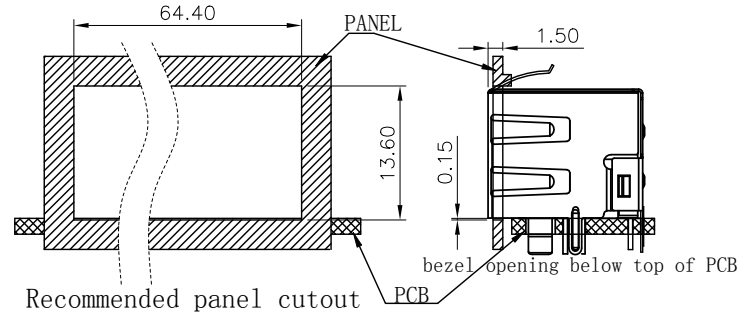
NO.	ECN NO.	DESCRIPTION	REV.	DRAW	DATE



RECOMMENDED P. C. B LAYOUT TOP VIEW
(COMPONENT SIDE TOLERANCE ±0.05)



LED PIN DEFINE



MATERIALS:
 1. Housing: Glass Filled PA46 BLACK UL94V-0.
 2. Shielding: 0.20mm Thickness Copper Alloy with Nickel Plated.
 3. Contact: C51000 ∅0.46mm DIA Phosphor Bronze gold Plating Over Nickel.
 4. Insert: Glass Filled PBT UL94V-0. (RoHS)
 5. Led1: GREEN/YELLOW (RoHS)
 6. Led2: GREEN/YELLOW (RoHS)
 ※MATES WITH MODULAR PLUG CONFORMING TO FCC PART 68, SUBPART F.
 ※The Dimensions Marked "▲" Symbols Are Stand For Key Characteristics.

42063-16 G X X 1
 规格流水码
 电镀代码
 -05-G/F
 -11-3u"
 -15-6u"
 -19-15u"

产品客户图 Customer Drw		GLGNET® 深圳市方向电子股份有限公司 SHEN ZHEN GLGNET ELECTRONICS CO., LTD.			
未注公差 TOLERANCE UNLESS OTHERWISE SPECIFIED	.X ±0.35 .XX ±0.25 .XXX ±0.15 X° ±3°	设计 DESIGN	品名 TITLE	5631-S-K9-F-1x4-L-8C-II-16 (GY/GY)	
比例 SCALE	1:1	角法 PROJ.	校对 CHECKED	料号 ITEM NO.	42063-16GXX1
张数 SHEET	1/1	大小 SIZE	A4	核准 APPROVED	图号 DWG NO. GLG-WL-054
单位 UNIT	mm	版本 REV.	A0		