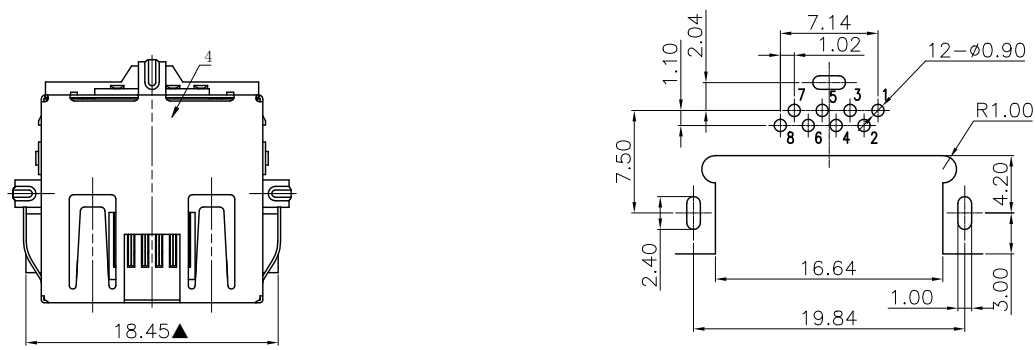
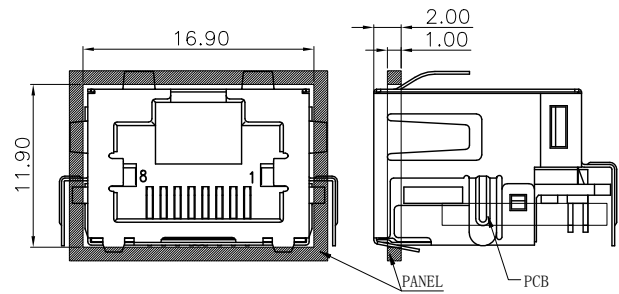


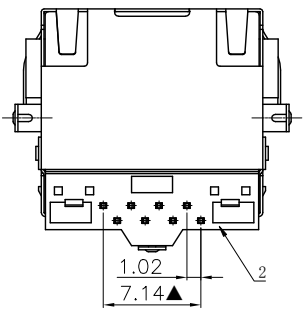
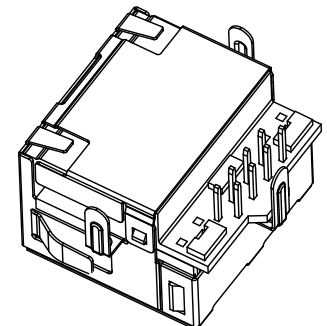
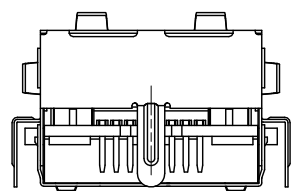
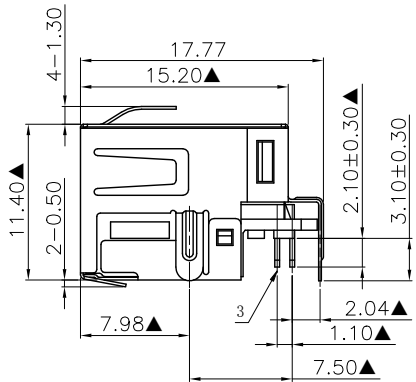
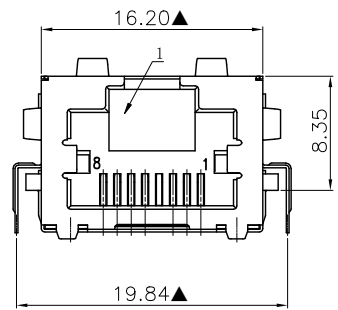
NO.	ECN NO.	DESCRIPTION	REV.	DRAW	DATE



RECOMMENDED PCB LAYOUT (TOP VIEW)
(ALL TOLERANCES ARE ±0.05)



Recommended panel cutout



41931-00 M 11 1

规格流水码
电镀方式
S 半金亮锡
M 半金雾锡
电镀代码
05-1u"
11-3u"
15-6u"
19-15u"
23-30u"

Electrical specification:
1. Voltage Rating: 125 VAC RMS.
2. Current Rating: 1.5A Max @25° C;
3. Contact Resistance: 20 mΩ Max;
4. Insulation Resistance: 500 MΩ Min. @500 VDC;
5. Dielectric withstanding Voltage:
1000 V DC or AC peak, for 1 minute 0.5 mA contact-to-contact.
1500 V DC or AC peak, for 1 minute 0.5 mA contact to screen and test panel.

Environmental characteristics:
1. Stockpile Temperature: - 40 ° C to 70° C;
2. Operating Temperature: - 40 ° C to 70° C;

NOTES:
1. HOUSING: LCP, UL94V-0, COLOR- BLACK (RoHS).
2. PLUG: LCP, UL94V-0, COLOR- BLACK (RoHS).
3. CONTACT: Phosphor Bronze, T0.35 mm;
4. SHELL: COPPER ALLOY, 50 μ MIN NICKEL PLATED OVERALL (RoHS).
5. Durability: 750 Cycles Min;
6. Connector Mating, Unmating Force: 30N Max.
7. Plug Retention Force: 50N min, 60s±5s.
※MATES WITH MODULAR PLUG CONFORMING TO FCC PART 68, SUBPART F.
※The Dimensions Marked "▲" Symbols Are Stand For Key Characteristics.

产品客户图 Customer Drw		设计 DESIGN		品名 TITLE	
未注公差 TOLERANCE UNLESS OTHERWISE SPECIFIED	.X ±0.35 .XX ±0.25 .XXX ±0.15 X° ±2°	角法 PROJ.	设计 CHECKED	品名 TITLE	6221-Q-S-K6-8C-I
比例 SCALE	1:1	纸张 SIZE	校对 APPROVE	料号 ITEM NO.	41931-00XXX1
张数 SHEET	1/1	版本 REV.	核准 APPROVE	图号 DWG NO.	GLG-W0-357
单位 UNIT	mm	版本 REV.	P0	图号 DWG NO.	GLG-W0-357

GLGNET 深圳市方向电子股份有限公司
SHEN ZHEN GLGNET ELECTRONICS CO.,LTD.