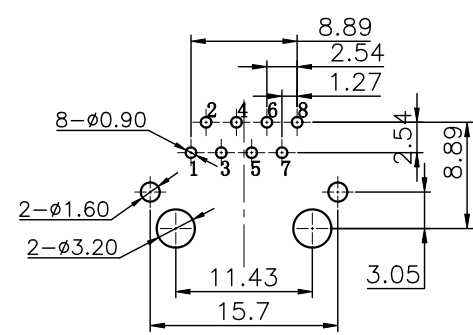
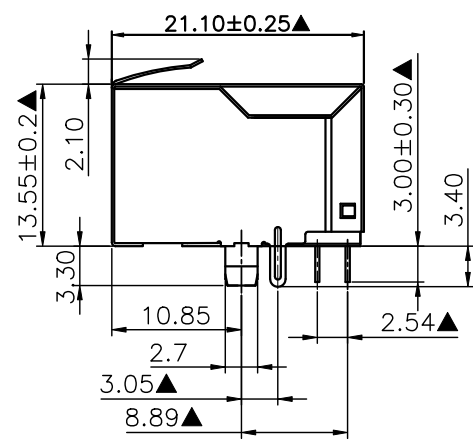
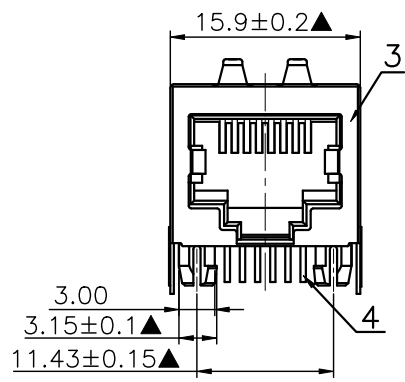
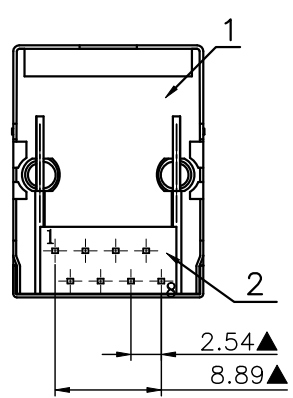


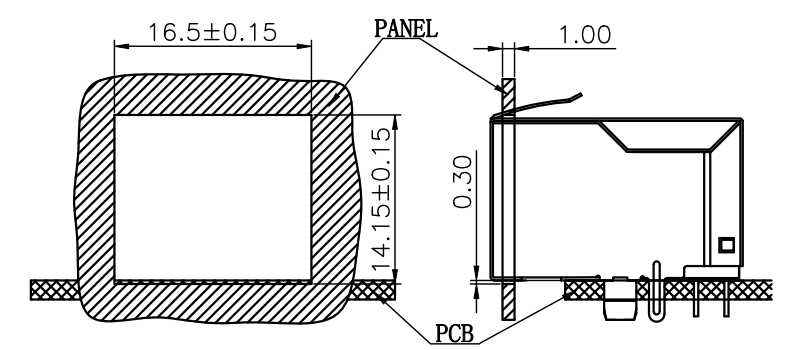
| NO. | ECN NO. | DESCRIPTION | REV. | DRAW | DATE |
|-----|---------|-------------|------|------|------|
| | | | | | |
| | | | | | |
| | | | | | |



RECOMMENDED P.C.B LAYOUT TOP VIEW
(COMPONENT SIDE TOLERANCE±0.05)



41062-02 X X X 1
 规格流水码 | 电镀代码
 电镀方式
 S 半金亮锡
 M 半金雾锡
 05-G/F
 11-3u"
 15-6u"
 19-15u"
 23-30u"
 24-50u"



Recommended panel cutout
bezel opening below top of PCB

MATERIALS:

- Housing: Glass Filled PA46 Black UL94V-0.
 - Insert: Glass Filled PBT UL94V-0
 - Shielding: Copper Alloy with Nickel Plated.
 - Contact: 0.35X0.46mm Phosphor Bronze gold Plating Over Nickel.
- ※MATES WITH MODULAR PLUG CONFORMING TO FCC PART 68, SUBPART F.
 ※The Dimensions Marked "▲" Symbols Are Stand For Key Characteristics.

| 产品客户图 Customer Drw | | .X ±0.35 | | 设计 DESIGN | | 品名 TITLE | |
|----------------------------|------------|----------|-------------|-----------|--|----------------------|--|
| 未注公差 TOLERANCE | .XX ±0.25 | 角法 PROJ. | 设计 | | | 5921-Q-S-BK2-C-8C-1B | |
| UNLESS OTHERWISE SPECIFIED | .XXX ±0.15 | 大小 SIZE | 校对 CHECKED | | | 料号 ITEM NO. | |
| | .X° ±0.5° | 版本 REV. | 核准 APPROVED | | | 图号 DWG NO. | |
| 比例 SCALE | 1:1 | 单位 UNIT | mm | | | 41060-02XXX1 | |
| 张数 SHEET | 1/1 | 版本 REV. | A3 | | | 图号 DWG NO. | |
| | | | | | | GLG-W0-199 | |

GLGNET® 深圳市方向电子股份有限公司
 Shenzhen GLGNET Electronics Co.,LTD.