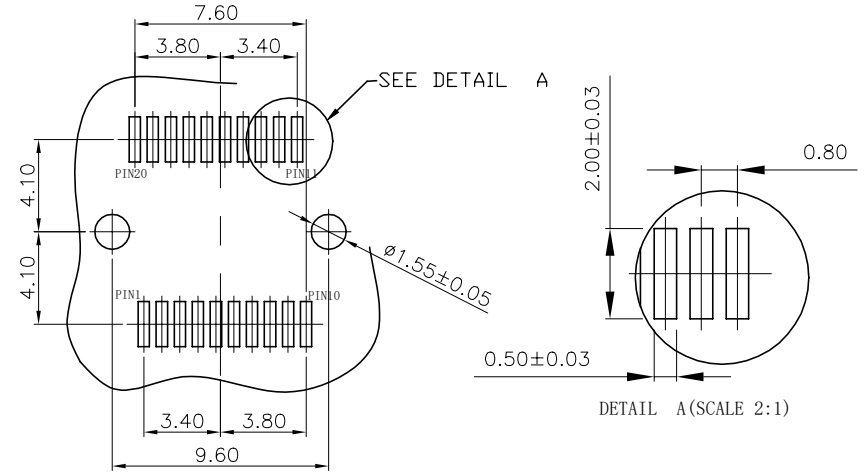
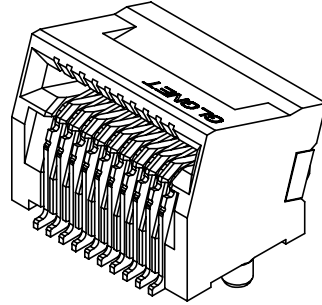
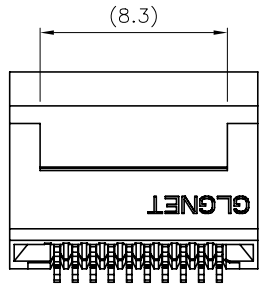


| NO. | ECN NO. | DESCRIPTION | REV. | DRAW | DATE |
|-----|---------|-------------|------|------|------|
| 1   |         |             |      |      |      |
| 2   |         |             |      |      |      |
| 3   |         |             |      |      |      |



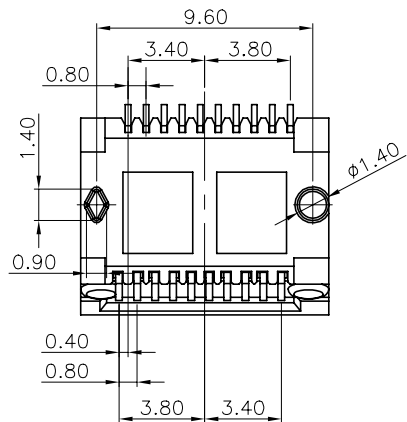
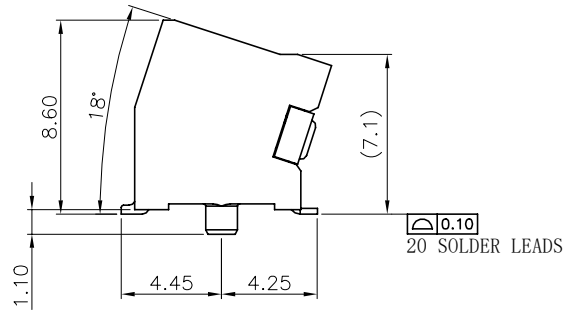
PCB LAYOUT  
PCB TOLERANCE ± 0.05

NOTES:

- MATERIAL:  
HOUSING: LCP UL94V-0, BLACK  
INSERT MOLDING: LCP UL94V-0, BLACK  
CONTACT: COPPER ALLOY
- OPERATING TEMPERATURE: -40° C ~ 85° C

39063-00XXX1

M31: Ni50, Au30u"



| 产品客户图 Customer Drw                                    |                         | GLGNET®深圳市方向电子股份有限公司<br>SHEN ZHEN GLGNET ELECTRONICS CO., LTD. |               |  |                |                         |
|---|-------------------------|--|---------------|--|----------------|-------------------------|
| 未注公差<br>TOLERANCE<br>UNLESS<br>OTHERWISE<br>SPECIFIED | .X<br>.XX<br>.XXX<br>X° | ±0.35<br>±0.25<br>±0.15<br>±2°                                 | 设计<br>DESIGN  |  | 品名<br>TITLE    | SFP28 1xN-C00 CONNECTOR |
| 比例<br>SCALE   | 1:1                     | 角法<br>PROJ.  | 设计<br>DESIGN  |  | 料号<br>ITEM NO. | 39063-00M311            |
| 张数<br>SHEET   | 1/1                     | 纸张<br>SIZE   | 校对<br>CHECKED |  | 图号<br>DWG NO.  | GLG-WS-494              |
| 单位<br>UNIT  | mm                      | 版本<br>REV.   | 核准<br>APPROVE |  |                |                         |