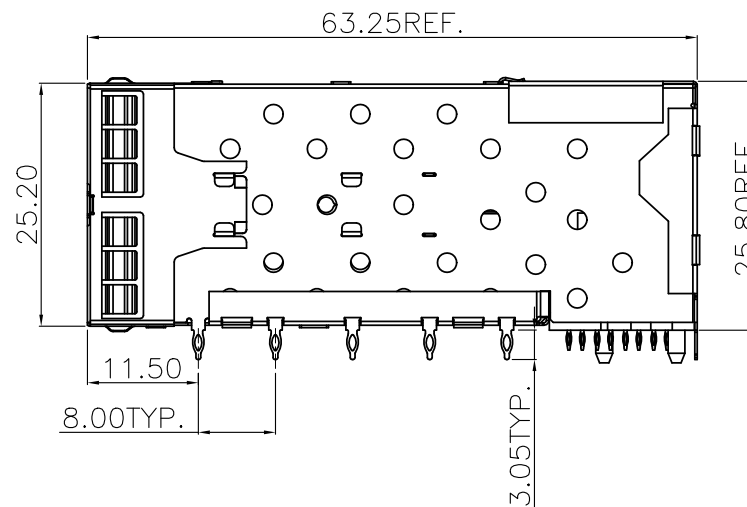
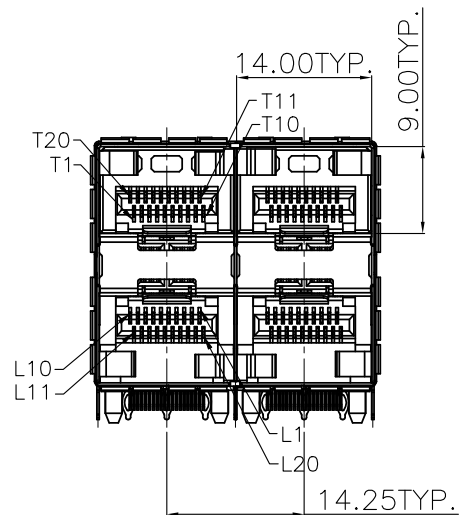


NO.	ECN NO.	DESCRIPTION	REV.	DRAW	DATE
1					
2					
3					



47009-05XXX1

M32:Ni50u",Au15u",Matte Sn150u"
M31:Ni50u",Au30u",Matte Sn150u"
规格流水码

NOTES:

1.MATERIAL:

CAGE:COPPER ALLOY,THICKNESS:0.25mm;
CONNECTOR HOUSING:GLASS FILLED THERMOPLASTIC;
UL 94V-0 COLOR:BLACK
TERMINALS:PHOSPHOR BRONZE
LIGHT PIPE: POLYCARBONATE COLOR CLEAR
LIGHT PIPE HOUSING:GLASS FILLED THERMOPLASTIC,UL 94V-0

2.FINISH

TERMINALS CONTACT AREA:PLATED-GOLD;
SOLDER TERMINAL AREA:PLATED-TIN.

未注公差 容许公差 TOLERANCE				设计 DESIGN		品名 TITLE	
.X	X.° ±2°					2x2 SFP+ -01 WITH INNER/OUTER LIGHT PIPE	
.XX	±0.25 .X° ±1°			校对 CHECKED		料号 ITEM NO.	
.XXX	±0.15 .XX° ±0.5°			核准 APPROVE		图号 DWG NO.	
比例 SCALE	1:1	角法 PROJ.		设计 DESIGN		品名 TITLE	2x2 SFP+ -01 WITH INNER/OUTER LIGHT PIPE
张数 SHEET	1/4	纸张 SIZE	A4	校对 CHECKED		料号 ITEM NO.	47009-05XXX1
单位 UNIT	mm	版本 REV.	A2	核准 APPROVE		图号 DWG NO.	GLG-WS-113

GLGNET® 深圳方向电子有限公司
SHEN ZHEN GLGNET ELECTRONICS CO.,LTD.