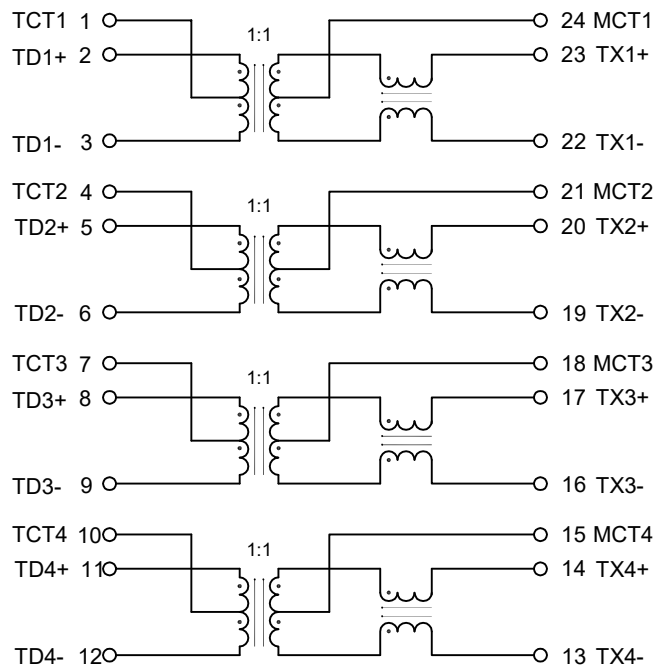


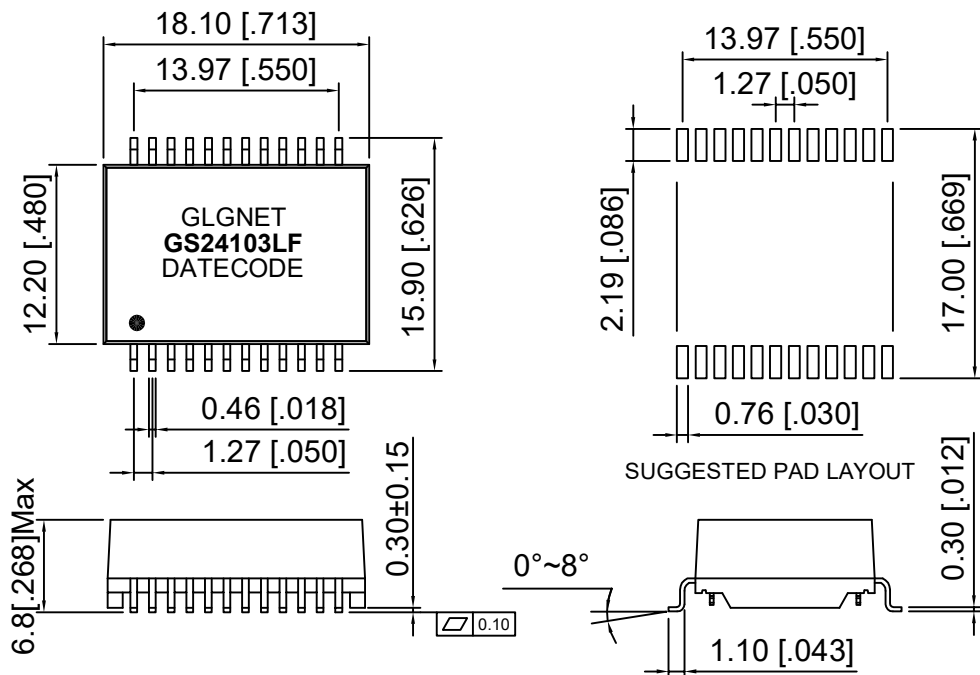
# Schematic



NO.	ECN NO.	DESCRIPTION	REV.	DRAW	DATE
1					
2					
3					

PARAMETER	SPECIFICATIONS
OPERATING TEMPERATURE	0°C To +70°C
STORAGE TEMPERATURE	-25°C To +125°C
TURNS RATIO	1:1±5%
OPEN CIRCUIT INDUCTANCE(OCL)	350uH MIN@100KHz/100mV With 8mA DC Bias For (CHANNEL1,2,3,4)
INSERTION LOSS(IL)	-1.0dB MAX@1MHz-100MHz;
RETURN LOSS(RL) (Z out=100 OHM)	-18dB MIN@1MHz-30MHz; -16dB MIN@30-60MHz; -12dB MIN@60-80MHz; -10dB MIN@80MHz-100MHz;
CROSSTALK (ADJACENT CHANNELS)	-30dB MIN@1-100MHz;
(DCMR)	-40dB MIN@30MHz; -35dB MIN@60MHz; -30dB MIN@100MHz;
HI-POT	1500Vrms
STANDARD	Designed to meet IEEE802.3ab Requirement

# Mechanical



产品客户图 Customer Drw		GLGNET® 方向电子			
未注公差	0.XX ±0.10	Description 1000 BASE-T Ethernet Isolation Transformer 24PIN SMD PROFILE PACKAGE			
TOLERANCE	X.XX ±0.25				
UNLESS OTHERWISE SPECIFIED	XX.XX ±0.25				
	X° ±2°	品名 TITLE GS24103LF			
比例 SCALE	1:1	设计 DESIGN	Jockey-luo 2021.12.17	料号 ITEM NO.	50003-000001
张数 SHEET	1/1	大小 SIZE	A4	校对 CHECKED	Jockey-luo 2021.12.17
单位 UNIT	mm	版本 REV.	A0	核准 APPROVED	BLUSE.BAI 2021.11.19