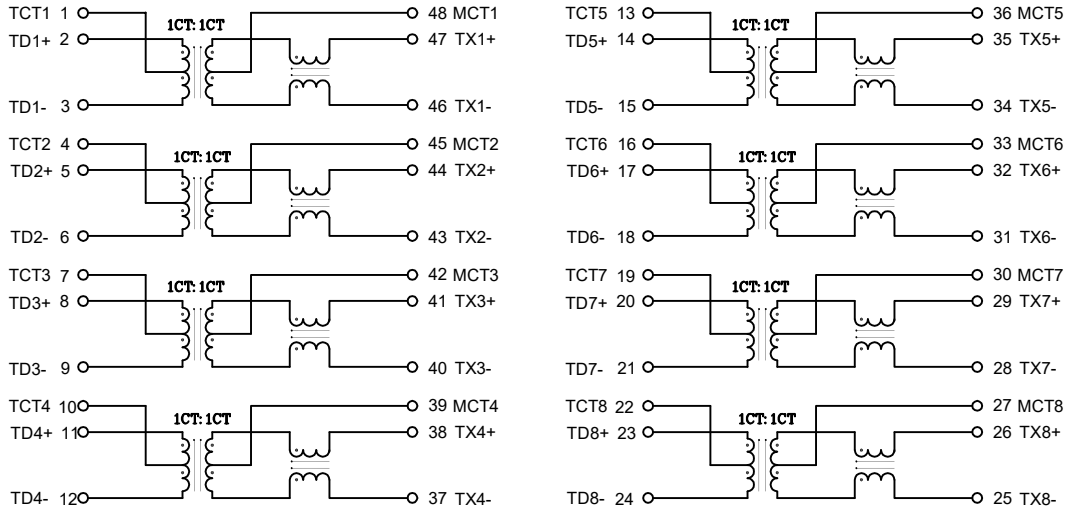


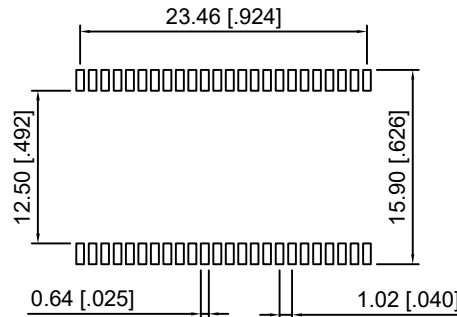
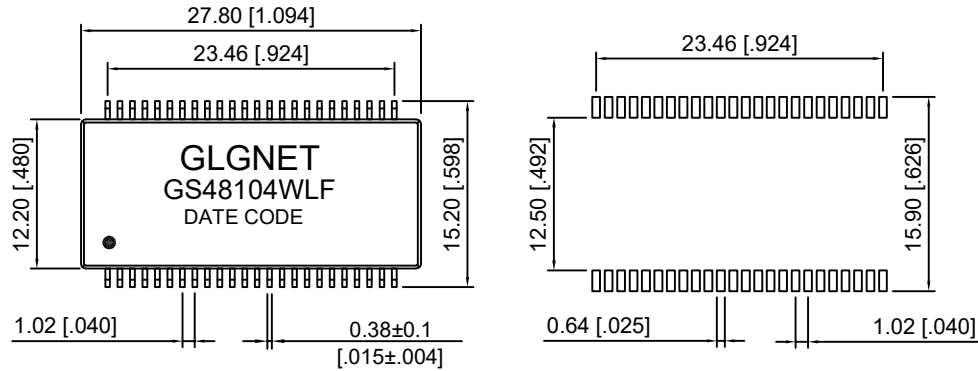
Schematic



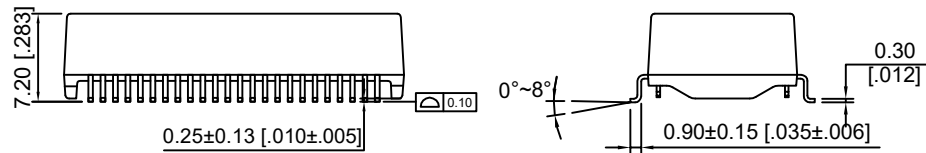
NO.	ECN NO.	DESCRIPTION	REV.	DRAW	DATE
1					
2					
3					

PARAMETER	SPECIFICATIONS
OPERATING TEMPERATURE	-40°C To +85°C
STORAGE TEMPERATURE	-25°C To +125°C
TURNS RATIO	1:1±5%
OPEN CIRCUIT INDUCTANCE(OCL)	350uH MIN@100KHz/100mV With 8mA DC Bias
INSERTION LOSS(IL)	-1.0dB MAX@1MHz-100MHz;
RETURN LOSS(RL) (Z out=100 OHM)	-18dB MIN@1MHz-30MHz; -16dB MIN@30-60MHz; -12dB MIN@60-80MHz; -10dB MIN@80MHz-100MHz;
CROSSTALK (ADJACENT CHANNELS)	-30dB MIN@1-100MHz;
(DCMR)	-40dB MIN@30MHz; -35dB MIN@60MHz; -30dB MIN@100MHz;
HI-POT	1500Vrms
STANDARD	Designed to meet IEEE802.3ab Requirement

Mechanical



SUGGESTED PAD LAYOUT



产品客户图 Customer Drw		GLGNET® 浙江方向电子有限公司	
未注公差 TOLERANCE UNLESS OTHERWISE SPECIFIED	0.XX ±0.10 X.XX ±0.25 XX.XX ±0.25 X° ±2°	ZHE JIANG GLGNET ELECTRONICS CO., LTD.	
比例 SCALE	1:1	Description	1000 BASE-T Ethernet Isolation Transformer 48PIN SMD PROFILE PACKAGE
张数 SHEET	1/1	设计 DESIGN	Jockey-luo 2021.10.12
单位 UNIT	mm	品名 TITLE	GS48104WLF
		校对 CHECKED	Jockey-luo 2021.10.12
		核准 APPROVED	BLUSE.BAI 2021.10.12
		料号 ITEM NO.	50005-010001
		版本号 REV.	A0
		图号 DWG NO.	