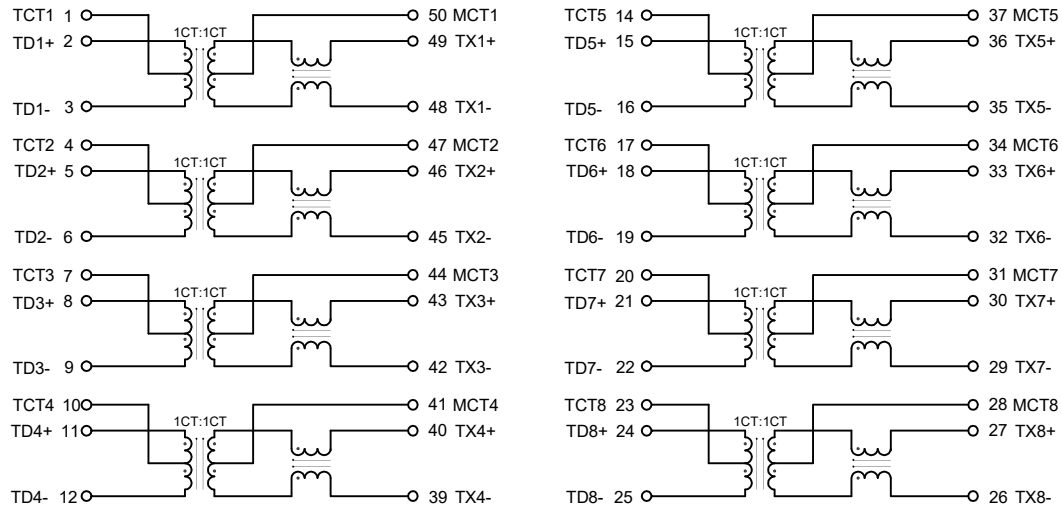


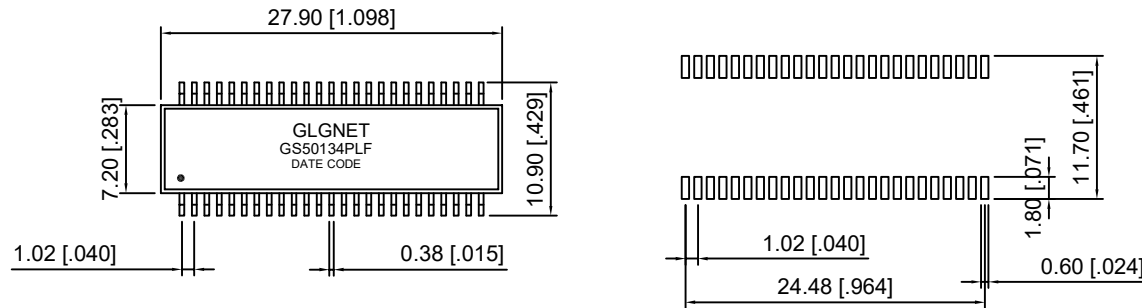
Schematic



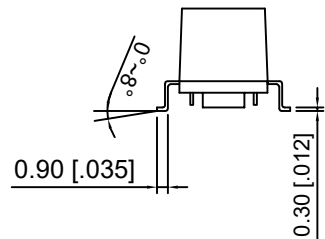
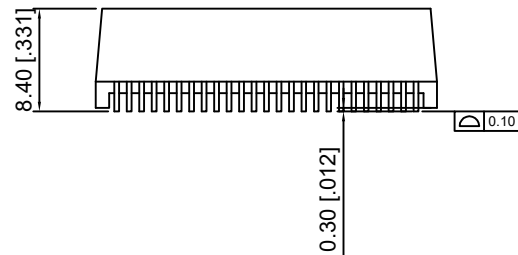
NO.	ECN NO.	DESCRIPTION	REV.	DRAW	DATE
1					
2					
3					

PARAMETER	SPECIFICATIONS
OPERATING TEMPERATURE	0°C To +70°C
STORAGE TEMPERATURE	-25°C To +125°C
TURNS RATIO	1:1±2%
OPEN CIRCUIT INDUCTANCE(OCL)	350uH MIN@100KHz/100mV With 8mA DC Bias
INSERTION LOSS(IL)	-1.0dB MAX@1MHz-100MHz;
RETURN LOSS(RL) (Z out=100 OHM)	-18dB MIN@1MHz-30MHz; -16.1dB MIN@30-60MHz; -12dB MIN@60-80MHz; -10dB MIN@80MHz-100MHz;
CROSSTALK (ADJACENT CHANNELS)	-30dB MIN@1-100MHz;
(DCMR)	-40dB MIN@30MHz; -35dB MIN@60MHz; -30dB MIN@100MHz;
HI-POT	4000VDC 1mA 1S and 1500Vrms 60S/1mA
STANDARD	Designed to meet IEEE802.3ab&802.3bt Requirement 720mA Current capability POE++ 60W

Mechanical



SUGGESTED PAD LAYOUT



产品客户图 Customer Drw		GLGNET® 方向电子	
未注公差 TOLERANCE UNLESS OTHERWISE SPECIFIED	0.XX ±0.10 X.XX ±0.25 XX.XX ±0.25 X° ±2°	GLGNET ELECTRONICS	
比例 SCALE	1:1	Description	1000 BASE-T Ethernet Isolation Transformer 50PIN POE++ 60W SMD PROFILE PACKAGE
张数 SHEET	1/1	设计 DESIGN	Jockey-luo 2021.11.13
单位 UNIT	mm	品名 TITLE	GS50134PLF
		校对 CHECKED	Jockey-luo 2021.11.13
		料号 ITEM NO.	50006-040001
		版本 REV.	A0
		核准 APPROVED	BLUSE.BAI 2021.11.13
		图号 DWG NO.	