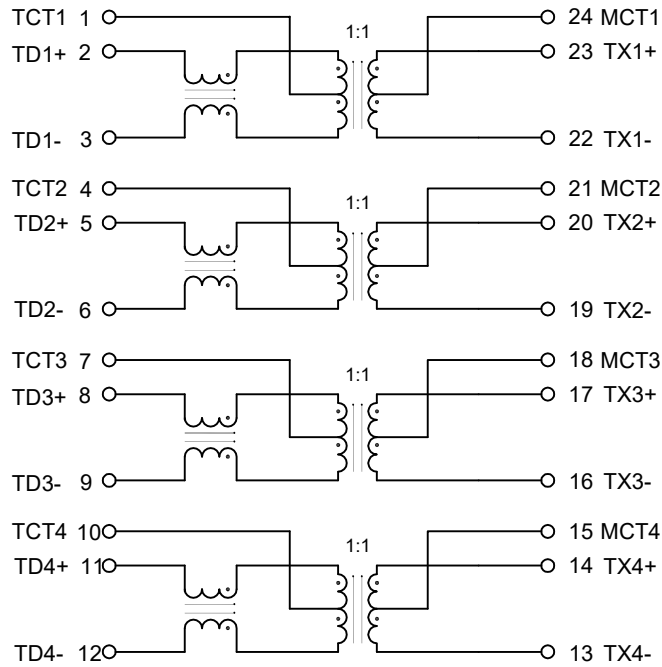


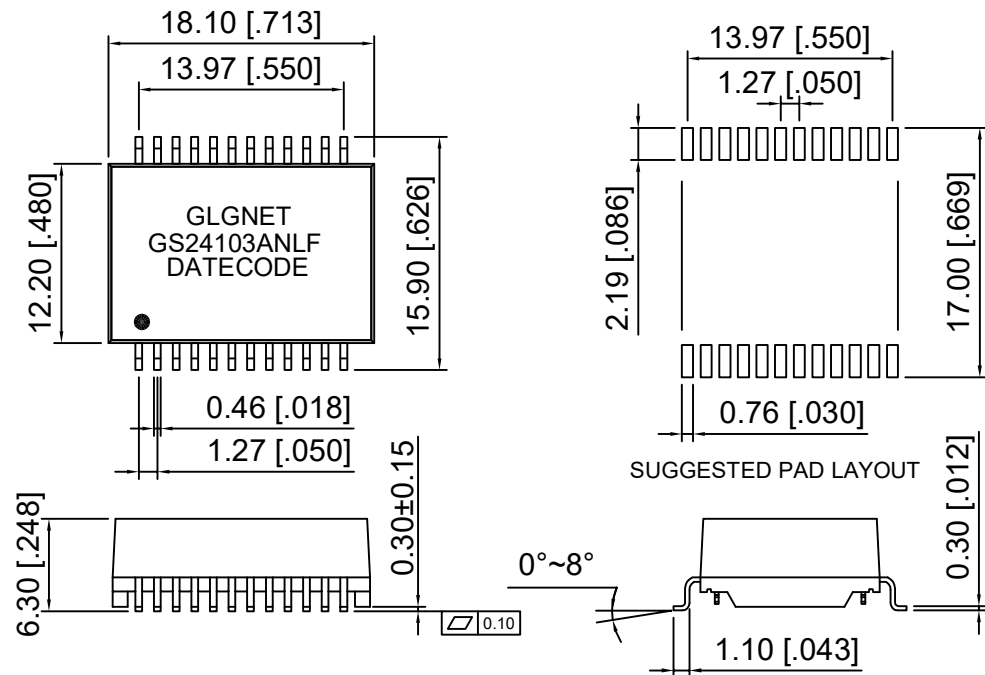
Schematic



NO.	ECN NO.	DESCRIPTION	REV.	DRAW	DATE
1					
2					
3					

PARAMETER	SPECIFICATIONS
OPERATING TEMPERATURE	0°C To +70°C
TURNS RATIO	1:1±5%
OPEN CIRCUIT INDUCTANCE(OCL)	180uH MIN@100KHz/100mV For With 8mA DC Bias(CHANNEL 1,2,3,4)
INSERTION LOSS(IL)	-0.5dB MAX@1MHz-50MHz; -1.0dB MAX@50MHz-125MHz;
RETURN LOSS(RL) (Z out=100 OHM)	-20dB MIN@1MHz-40MHz; -16dB MIN@40MHz-100MHz; -10dB MIN@100MHz-200MHz;
CROSSTALK (ADJACENT CHANNELS)	-35dB MIN@1MHz-125MHz;
COMMON MODE REJECTION RATIO(CMRR)	-30dB MIN@1MHz-100MHz; -25dB MIN@100MHz-200MHz;
DC CURRENT/VOLTAGE RATING-PSE PINS	Unsupported POE application
HI-POT	1500VAC@60 SECONDS

Mechanical



产品客户图 Customer Drw		GLGNET® 方向电子	
未注公差 TOLERANCE UNLESS OTHERWISE SPECIFIED	0.XX ±0.10 X.XX ±0.25 XX.XX ±0.25 X° ±2°	GLGNET ELECTRONICS	
比例 SCALE	1:1	Description	2.5G BASE-T Ethernet Isolation Transformer 24PIN SMD PROFILE PACKAGE
张数 SHEET	1/1	设计 DESIGN	Jockey-luo 2021.10.09
单位 UNIT	mm	校对 CHECKED	Jockey-luo 2021.10.09
		核准 APPROVED	BLUSE.BAI 2021.10.09
		品名 TITLE	GS24103ANLF
		料号 ITEM NO.	
		图号 DWG NO.	