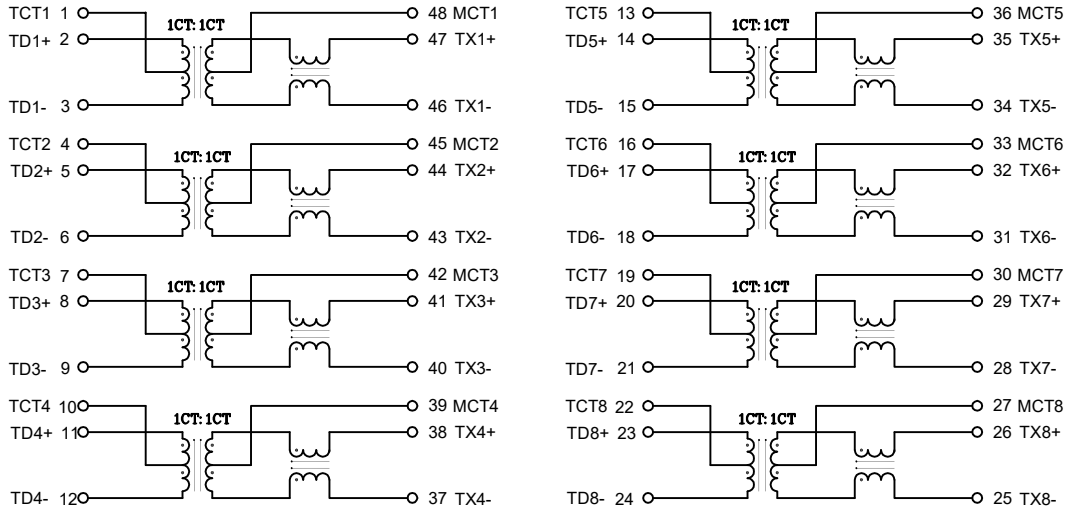


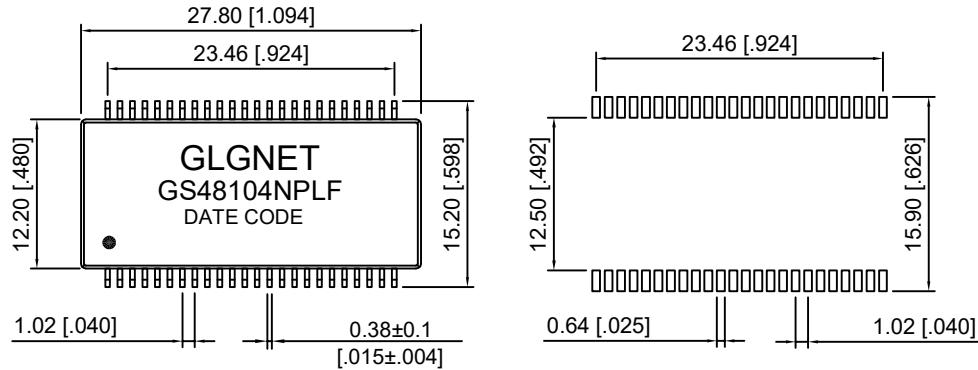
# Schematic



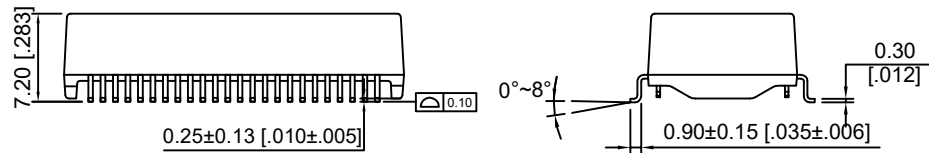
NO.	ECN NO.	DESCRIPTION	REV.	DRAW	DATE
1					
2					
3					

PARAMETER	SPECIFICATIONS
OPERATING TEMPERATURE	0°C To +70°C
STORAGE TEMPERATURE	-25°C To +125°C
TURNS RATIO	1:1±2%
OPEN CIRCUIT INDUCTANCE(OCL)	180uH MIN@100KHz/100mV With 14.4mA DC Bias For(CHANNEL1,2,3,4)
INSERTION LOSS(IL)	-1.0dB MAX@1MHz-100MHz; -1.5dB MAX@100MHz-125MHz;
RETURN LOSS(RL) (Z out=100 OHM)	-16dB MIN@1MHz-40MHz; -16+15LOG (f/40MHz)dB MIN@40MHz-250MHz;
CROSSTALK (ADJACENT CHANNELS)	-35dB MIN@1MHz-40MHz; -35+15LOG (f/40MHz)dB MIN@40MHz-125MHz;
COMMON MODE REJECTION RATIO(CMRR)	-30dB MIN@1MHz-200MHz;
HI-POT	1500 Vrms@60 SECONDS
STANDARD	Designed to meet IEEE802.3bz&802.3at Requiement up to 720mA per center tap

# Mechanical



SUGGESTED PAD LAYOUT



产品客户图 Customer Drw		GLGNET® 方向电子	
未注公差 TOLERANCE UNLESS OTHERWISE SPECIFIED	0.XX ±0.10 X.XX ±0.25 XX.XX ±0.25 X° ±2°	GLGNET® 方向电子 GLGNET ELECTRONICS	
比例 SCALE	1:1	Description	2.5G BASE-T Ethernet Isolation Transformer 48Pin POE SMD PROFILE PACKAGE
张数 SHEET	1/1	设计 DESIGN	Jockey-luo 2021.08.25
单位 UNIT	mm	校对 CHECKED	Jockey-luo 2021.08.25
		核准 APPROVED	BLUSE.BAI 2021.08.25
		品名 TITLE	GS48104NPLF
		料号 ITEM NO.	
		图号 DWG NO.	