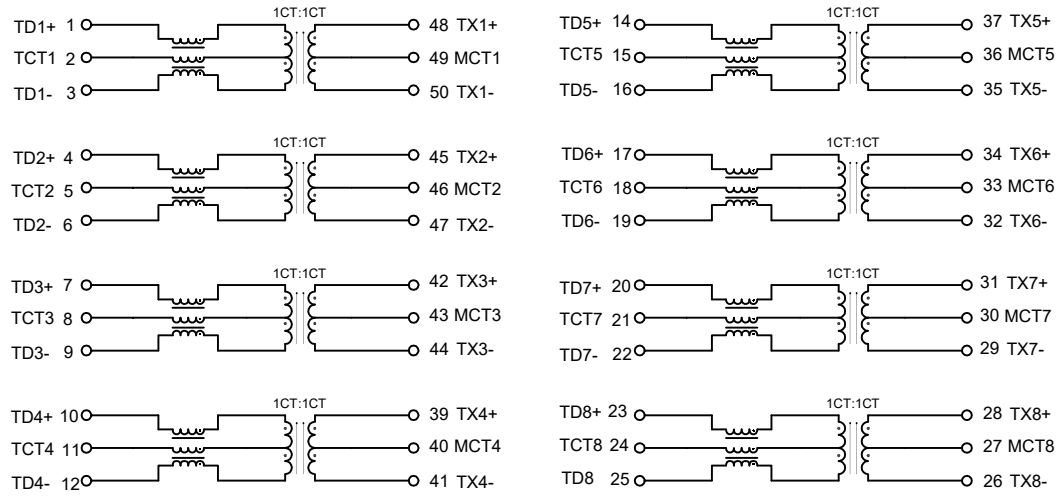


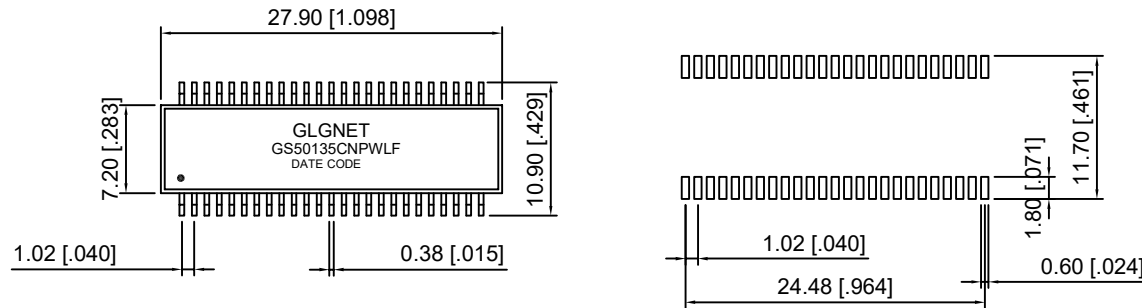
Schematic



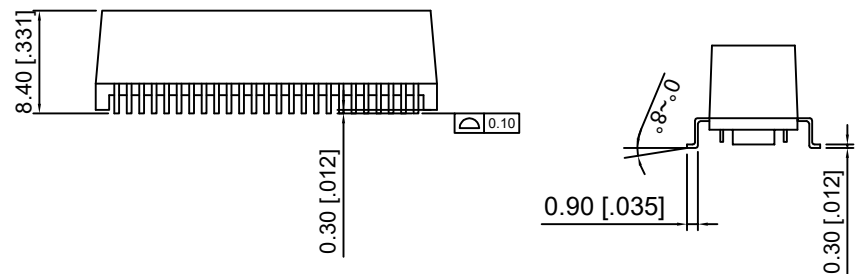
NO.	ECN NO.	DESCRIPTION	REV.	DRAW	DATE
1		按客户要求修正电气参数,修正品名	A1	Jockey-luo	2021.12.09
2					
3					

PARAMETER	SPECIFICATIONS
OPERATING TEMPERATURE	-40°C To +85°C
STORAGE TEMPERATURE	-25°C To +125°C
TURNS RATIO	1:1±2%
OPEN CIRCUIT INDUCTANCE(OCL)	150uH MIN@100KHz/100mV With 0mA DC Bias
INSERTION LOSS(IL)	-1.0dB MAX@1MHz-125MHz;-2.0dB MAX@125MHz-200MHz;
RETURN LOSS(RL) (Z out=100 OHM)	-16dB MIN@1MHz-40MHz; -14dB MIN@50MHz-80MHz; -13dB MIN@80MHz-100MHz; -11.5dB MIN@100MHz-125MHz;
CROSSTALK (ADJACENT CHANNELS)	-30dB MIN@1-125MHz; -22dB MIN@200MHz;
(DCMR)	-30dB MIN@1-125MHz; -25dB MIN@200MHz;
HI-POT	1500V/60S/1mA
STANDARD	Designed to meet IEEE802.3bz&802.3bt Requiement 100mA Current capability POE 90W

Mechanical



SUGGESTED PAD LAYOUT



产品客户图 Customer Drw		GLGNET® 方向电子	
未注公差 TOLERANCE UNLESS OTHERWISE SPECIFIED	0.XX ±0.10 X.XX ±0.25 XX.XX ±0.25 X° ±2°	GLGNET ELECTRONICS	
比例 SCALE	1:1	Description	2.5G BASE-T Ethernet Isolation Transformer 50PIN POE 90W SMD PROFILE PACKAGE
张数 SHEET	1/1	设计 DESIGN	Jockey-luo 2021.12.09
单位 UNIT	mm	角法 PROJ.	设计 CHECKED
		大小 SIZE	Jockey-luo 2021.12.09
		版本 REV.	A1
		核准 APPROVED	BLUSE.BAI 2021.12.09
		品名 TITLE	GS50135CNPWLF
		料号 ITEM NO.	50006-050001
		图号 DWG NO.	