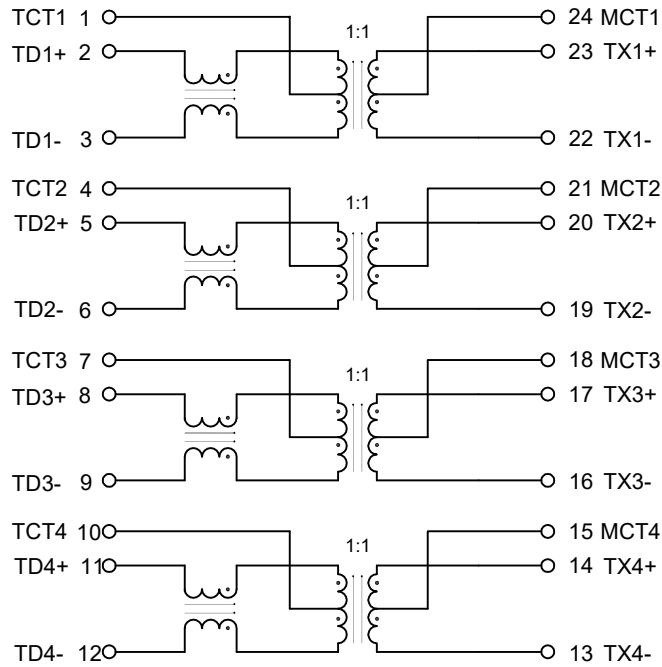


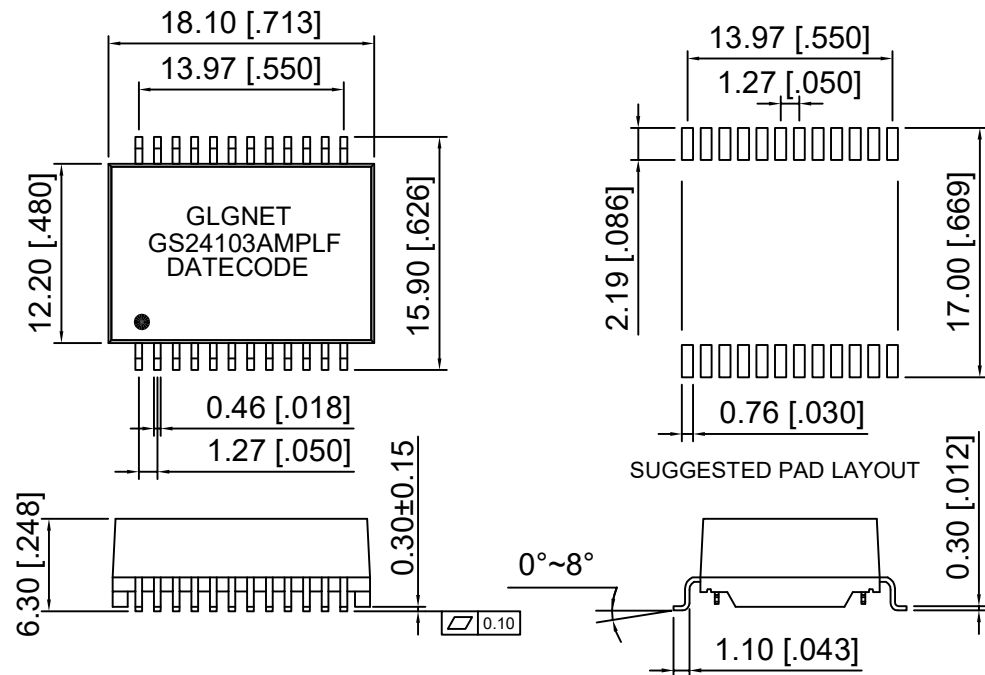
# Schematic



NO.	ECN NO.	DESCRIPTION	REV.	DRAW	DATE
1					
2					
3					

PARAMETER	SPECIFICATIONS
OPERATING TEMPERATURE	0°C To +70°C
TURNS RATIO	1:1±5%
OPEN CIRCUIT INDUCTANCE(OCL)	110uH MIN@100KHz/100mV For With 11mA DC Bias(CHANNEL1,2,3,4)
INSERTION LOSS(IL)	-1.0dB MAX@1MHz-100MHz; -2.0dB MAX@100MHz-150MHz; -2.5dB MAX@150MHz-250MHz;
RETURN LOSS(RL) (Z out=100 OHM)	-18dB MIN@1MHz-40MHz; -15dB MIN@100MHz; -13dB MIN@150MHz; -11dB MIN@200MHz; -10dB MIN@250MHz;
CROSSTALK (ADJACENT CHANNELS)	-30dB MIN@1MHz-250MHz;
COMMON MODE REJECTION RATIO(CMRR)	-30dB MIN@1MHz-250MHz;
HI-POT	1500Vrms
STANDARD	Designed to meet IEEE802.3bz&802.3at Requiement 720mA MAXIMUM@57VDC(CONTINUOUS)

# Mechanical



产品客户图 Customer Drw		GLGNET® 方向电子	
未注公差 TOLERANCE UNLESS OTHERWISE SPECIFIED	0.XX ±0.10 X.XX ±0.25 XX.XX ±0.25 X° ±2°	GLGNET ELECTRONICS	
比例 SCALE	1:1	Description	5G BASE-T Ethernet Isolation Transformer 24PIN POE 60W SMD PROFILE PACKAGE
张数 SHEET	1/1	设计 DESIGN	Jockey-luo 2021.12.17
单位 UNIT	mm	品名 TITLE	GS24103AMPLF
		校对 CHECKED	Jockey-luo 2021.12.17
		料号 ITEM NO.	
		核准 APPROVED	BLUSE.BAI 2021.12.17
		图号 DWG NO.	