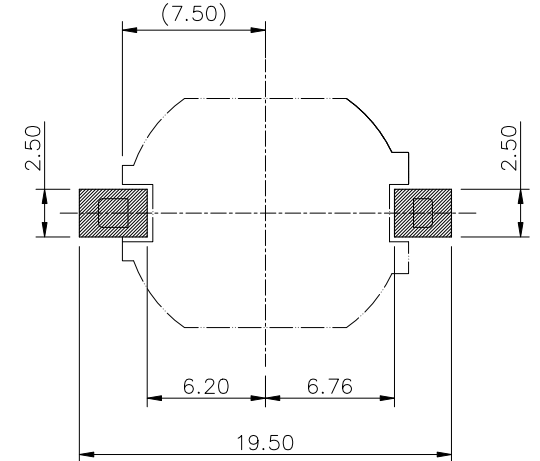
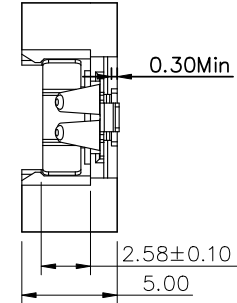
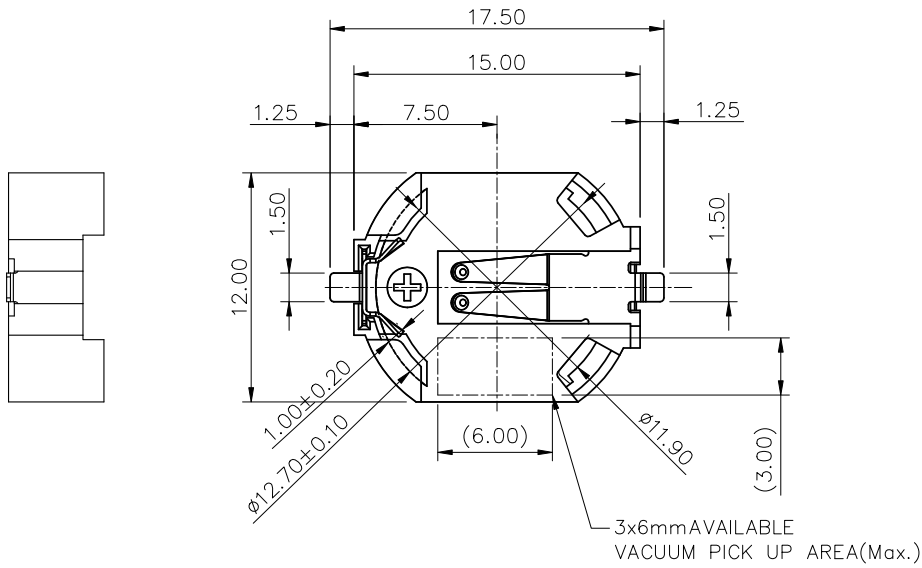


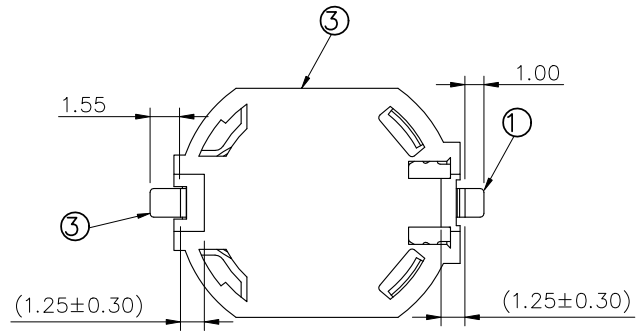
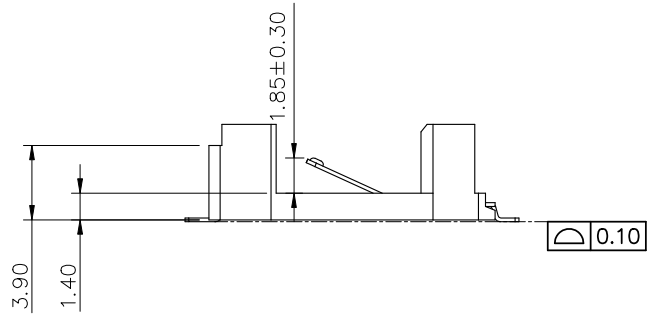
NO.	ECN NO.	DESCRIPTION	REV.	DRAW	DATE
1	-	INITIAL	A0	ZW LIU	2022/09/13



RECOMMENDED PCB LAYOUT(TOP VIEW)
 THICKNESS 2.0±0.10mm;
 DEFAULT TOLERANCE: ±0.05

- MATERIAL SPECIFICATION:
 - HOUSING: PA9T; UL94 V-0 BLACK
 - CONTACTS: COPPER ALLOY C5210
- PLATING SPECIFICATION:
 - CONTACTS:
 - Ni 50u" MIN. UNDER PLATED OVERALL.
 - 100u" MIN MATTE TIN PLATED
- MECHANICAL PERFORMANCE,
 - THE NORMAL FORCE: 100gf MIN.
 - DURABILITY: 3 CYCLES.
- ELECTRICAL PERFORMANCE,
 - CONTACT RESISTANCE: 500mΩ
- RoHS COMPLIANT.
- IR REFLOW:

THE PEAK TEMPERATURE ON THE BOARD SHALL BE MAINTAINED FOR 30 SECONDS AT 260+0/-5°C.



产品客户图 Customer Drw		GLGNET® 深圳市方向电子股份有限公司 SHEN ZHEN GLGNET ELECTRONICS CO.,LTD.					
未注公差 TOLERANCE UNLESS OTHERWISE SPECIFIED	X.	±0.35	设计 DESIGN	ZW LIU	2022/09/13	品名 TITLE	电池座CR1225-B-60
	.X	±0.25	校对 CHECKED	YW PENG	2022/09/13	料号 ITEM NO.	99085-60T049 (170042-00121)
	.XX	±0.15	核准 APPROVED	HT ZHANG	2022/09/13	图号 DWG NO.	170042
	X*	±2*					
比例 SCALE	1:1	角法 PROJ.	设计 DESIGN	ZW LIU	2022/09/13	品名 TITLE	电池座CR1225-B-60
张数 SHEET	1/1	大小 SIZE	校对 CHECKED	YW PENG	2022/09/13	料号 ITEM NO.	99085-60T049 (170042-00121)
单位 UNIT	mm	版本 REV.	核准 APPROVED	HT ZHANG	2022/09/13	图号 DWG NO.	170042