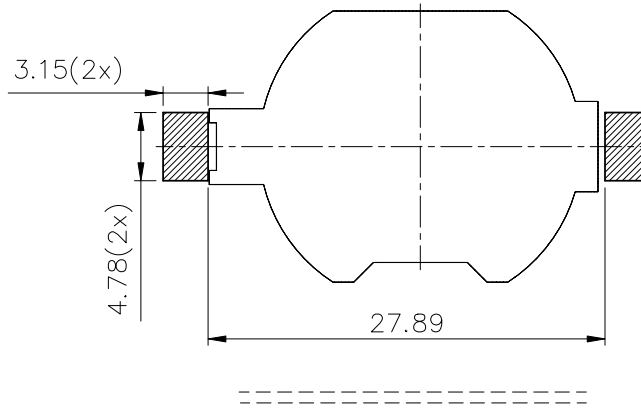
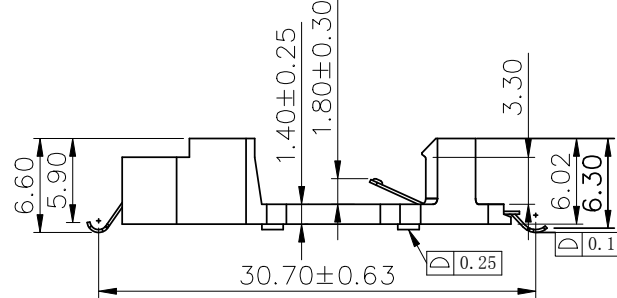
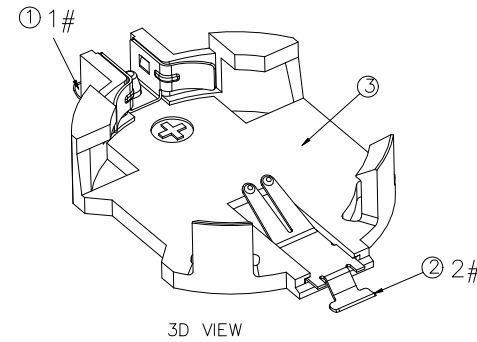
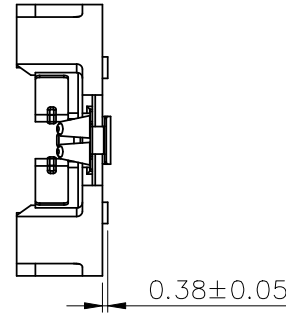
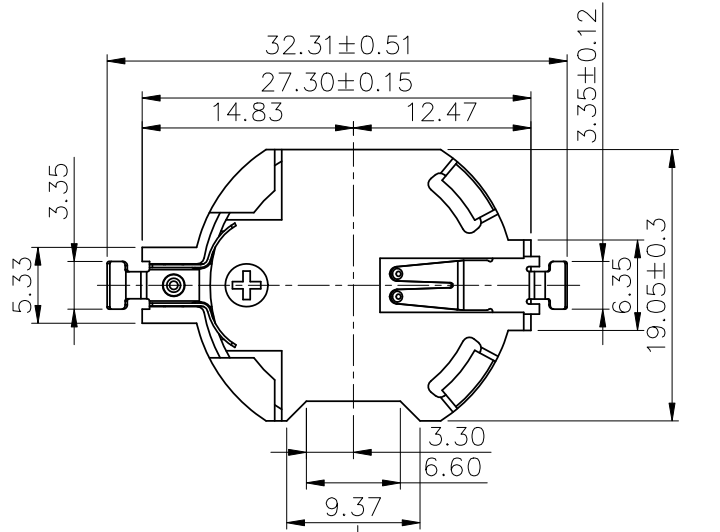
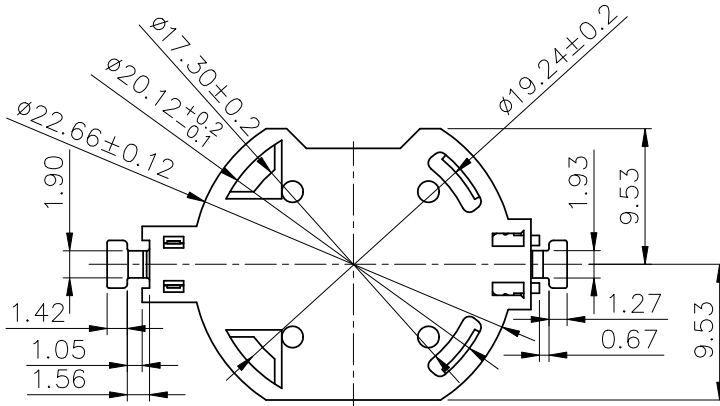


NO.	ECN NO.	DESCRIPTION	REV.	DRAW	DATE
1	-	MODIFY	A2	ZHIWEN	2022/10/08



- MATERIAL SPECIFICATION:
 - HOUSING: PA9T, UL94 V-0 NC
 - CONTACTS: COPPER ALLOY C5210
- PLATING SPECIFICATION:
 - CONTACTS: Ni 50u" MIN. UNDER PLATED OVERALL. 100u" MIN MATTE TIN PLATED
- MECHANICAL PERFORMANCE,
 - THE NORMAL FORCE: 100gf MIN.
 - DURABILITY: 50 CYCLES.
- ELECTRICAL PERFORMANCE,
 - CONTACT RESISTANCE: 30mΩ
- RoHS COMPLIANT.
- IR REFLOW: THE PEAK TEMPERATURE ON THE BOARD SHALL BE MAINTAINED FOR 30 SECONDS AT 260+0/-5°C.



产品客户图 Customer Drw		TOLERANCE UNLESS OTHERWISE SPECIFIED		GLGNET® 深圳市方向电子股份有限公司 SHEN ZHEN GLGNET ELECTRONICS CO., LTD.							
未注公差	.X	±0.35	.XX ±0.25 .XXX ±0.15 X' ±2'	比例	1:1	角法	设计	ZHIWEN	2022/10/08	品名	CR2032电池座
张数	1/1	大小		A4	校对	YW PENG	2022/10/08	料号	99050-60L049 (170040-00121)		
单位	mm	版本		A2	核准	HT ZHANG	2022/10/08	图号	GLG-DQT-062		