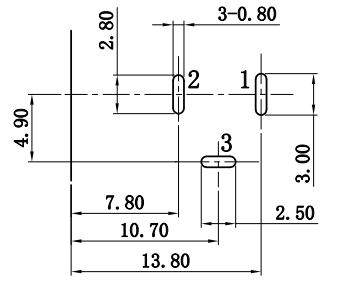
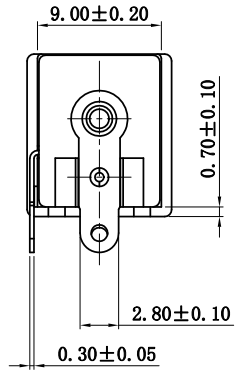
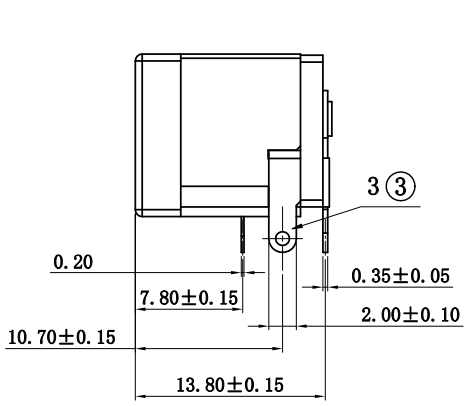
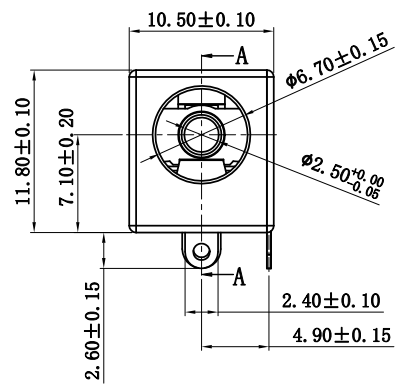
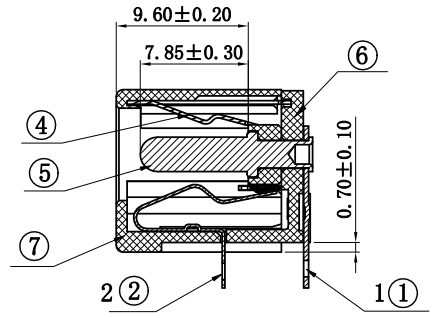


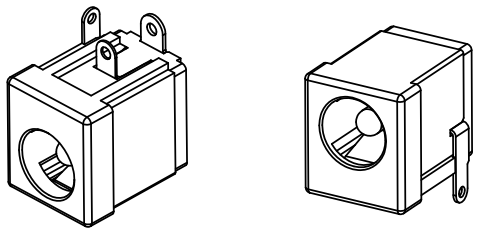
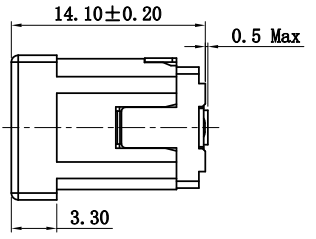
NO.	ECN NO.	DESCRIPTION	REV.	DRAW	DATE
1	-	INITIAL	1	WU ZHANG	2020/11/28
2	-	UPDATED	2	WU ZHANG	2021/01/08
3	-	UPDATED	3	WU ZHANG	2021/06/09



RECOMMENDED PCB LAYOUT(TOP VIEW)
DEFAULT TOLERANCE ±0.05

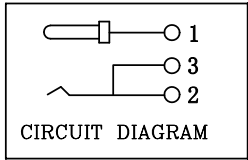


SECTION: A-A



3D VIEW

- MECHANICAL PERFORMANCE,
 - 1-1. INSERTION FORCE: 30N MAX
 - 1-2. REMOVAL FORCE: 6N~50N
 - 1-3. DURABILITY: 500 CYCLES.
- ELECTRICAL PERFORMANCE,
 - 2-1. LLCR: 30mΩ MAX.
 - 2-2. INSULATION RESISTANCE: 500MΩ MIN
 - 2-3. DIELECTRIC WITHSTAND VOLTAGE, AC 1500V FOR 1 MINUTE.
 - 2-4. CURRENT RATING: 3A
 - 2-5. VOLTAGE: 80V
- RoHS COMPLIANT.
- OPERATING TEMPERATURE: -40° C TO +95° C;
- STOCKPILE TEMPERATURE: -10° C TO +60° C



No.	PART NAME	QTY	MATERIAL (THICK)	PLATING (COLOR)
⑦	HOUSING	1	PA10T	BLACK
⑥	COVER	1	PA10T	BLACK
⑤	CEN PIN	1	H65	Matte Sn 1000'' Over Ni 500''
④	TERMINAL 4#	1	SUS301-H	Matte Sn 1000'' Over Ni 500''
③	TERMINAL 3#	1	C2680R-EH	Matte Sn 1000'' Over Ni 500''
②	TERMINAL 2#	1	SUS301-H	Matte Sn 1000'' Over Ni 500''
①	TERMINAL 1#	1	C2680R-EH	Matte Sn 1000'' Over Ni 500''

产品客户图 Customer Drw	
未注公差 TOLERANCE UNLESS OTHERWISE SPECIFIED	.X ±0.35 .XX ±0.25 .XXX ±0.15 X° ±2°
比例 SCALE	1:1
角法 PROJ.	角法
张数 SHEET	1/1
单位 UNIT	mm

GLGNET 深圳市方向电子股份有限公司
SHEN ZHEN GLGNET ELECTRONICS CO.,LTD.

设计 DESIGN	WU ZHANG	2021/06/09	品名 TITLE	DC-DIP90-25-3P-H-60
校对 CHECKED	YW PENG	2021/06/09	料号 ITEM NO.	01095-60T049
核准 APPROVED	HT ZHANG	2021/06/09	图号 DWG NO.	GLG-DDC-063