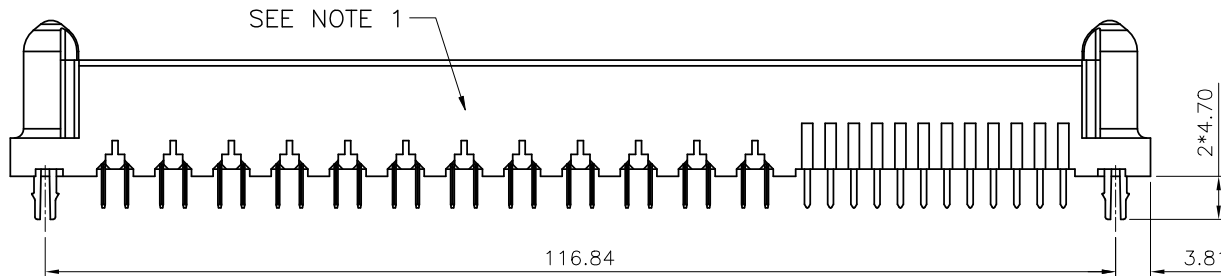
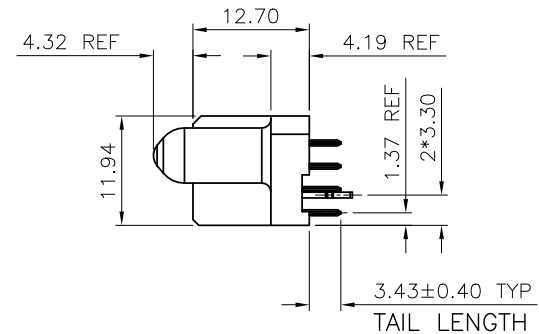
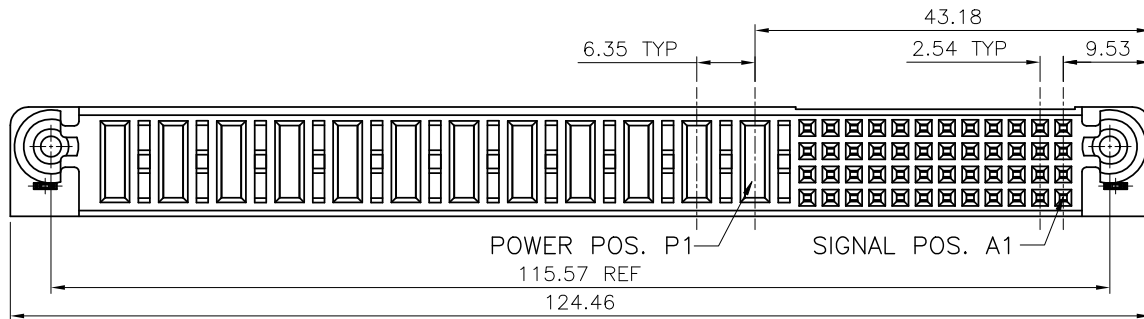
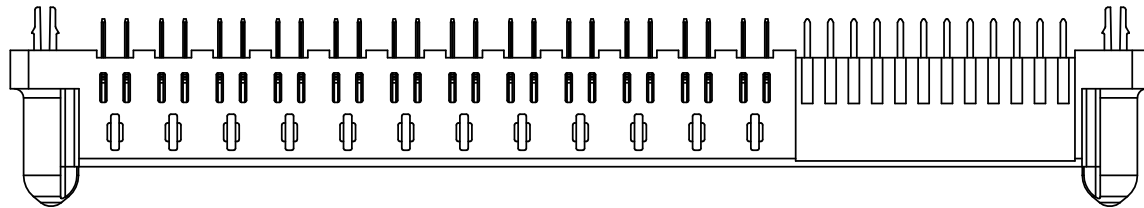


8		7		6		5		4		3		2		1	
PRODUCT NUMBER										NO.	ECN NO.	DESCRIPTION	REV.	DRAW	DATE
72A7-120048-A001										1	-	INITIAL	1	YW PENG	2019/01/19



PRELIMINARY  
CUSTOMER DRAWING

未注公差 容许公差 TOLERANCE .X ±0.35 X.° ±3° .XX ±0.25 .X° ±2° .XXX ±0.15 .XX° ±1°				<b>GLGNET®</b> 深圳方向电子有限公司 SHEN ZHEN GLGNET ELECTRONICS CO.;LTD.			
比例 SCALE	1:1	角法 PROJ.		设计 DESIGN	YW PENG	品名 TITLE	48S+12P VTR STB RECEPTACLE W/ HOLD DOWN
张数 SHEET	1/3	纸张 SIZE	A4	校对 CHECKED	YW PENG	料号 ITEM NO.	SEE LIST
单位 UNIT	mm	版本 REV.	1	核准 APPROVE	HT ZHANG	图号 DWG NO.	GLG-72-003



3		2		1	
NO.	ECN NO.	DESCRIPTION	REV.	DRAW	DATE
1	-	INITIAL	1	YW PENG	2019/01/19

NOTES:

- ① "GLGNET" AND DATE CODE TO BE MARKED ON THIS SURFACE.
2. MATERIALS:  
HOUSING - GLASS FILLED HIGH TEMP THERMO PLASTIC, UL94V-0.  
POWER CONTACTS - HIGH CONDUCTIVITY COPPER ALLOY.  
SIGNAL CONTACTS - COPPER ALLOY.
3. CONTACT PLATING: NOBLE METAL PLATING ON FUNCTIONAL AREA  
FOR SIGNAL AND POWER CONTACTS.
- ④ MECHANICAL CONNECTOR KEEP OUT ZONE.
- ⑤ DATUM AND BASIC DIMENSIONS ESTABLISHED BY CUSTOMER.
- ⑥ PCB - ALL HOLE DIAMETERS ARE FINISHED HOLE SIZES.
- ⑦ PCB - 1.150±0.025 DRILLED HOLE PLATED WITH 7.62um MIN Sn OVER  
25.4um-76.2um Cu PLATING TO ACHIEVE A 1.02±0.07mm FINISHED HOLE.
8. PRODUCT SPECIFICATION: GLG-AR048.

PRELIMINARY  
CUSTOMER DRAWING

未注公差 容许公差 TOLERANCE .X ±0.35 X.° ±3° .XX ±0.25 .X° ±2° .XXX ±0.15 .XX° ±1°				<b>GLGNET</b> ® 深圳方向电子有限公司 SHEN ZHEN GLGNET ELECTRONICS CO.;LTD.			
比例 SCALE	1:1	角法 PROJ.		设计 DESIGN	YW PENG	品名 TITLE	48S+12P VTR STB RECEPTACLE W/ HOLD DOWN
张数 SHEET	3/3	纸张 SIZE	A4	校对 CHECKED	YW PENG	料号 ITEM NO.	SEE LIST
单位 UNIT	mm	版本 REV.	1	核准 APPROVE	HT ZHANG	图号 DWG NO.	GLG-72-003